

# **JERR-DAN CORP.**

**WRANGLER LITE  
(OLD STYLE)  
OPERATION, MAINTENANCE  
AND PARTS MANUAL**



**1080 Hykes Road, Greencastle, PA 17225**  
**1-800-926-9666 • 1-717-597-7111**

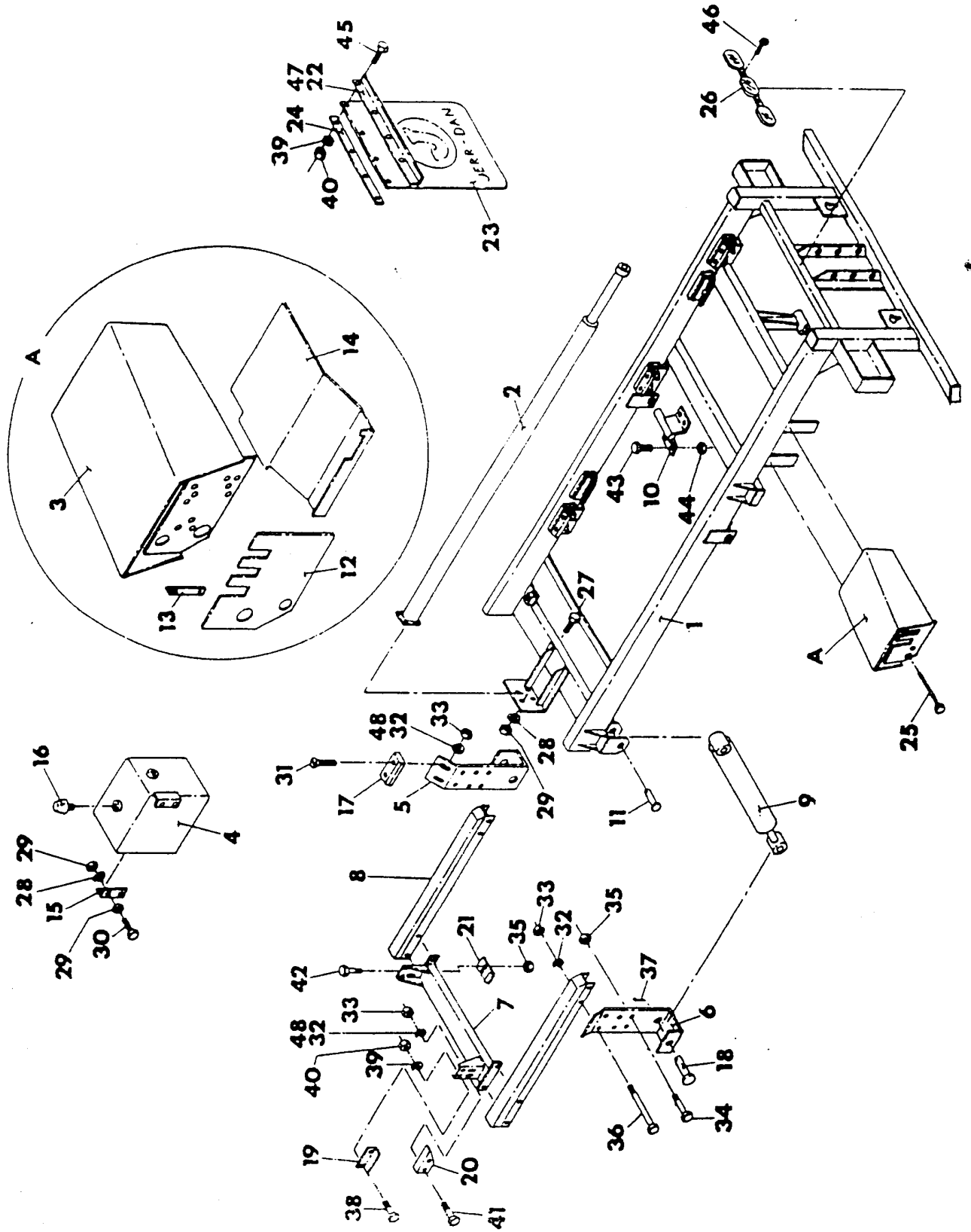
## PARTS LIST - FINAL ASSEMBLY

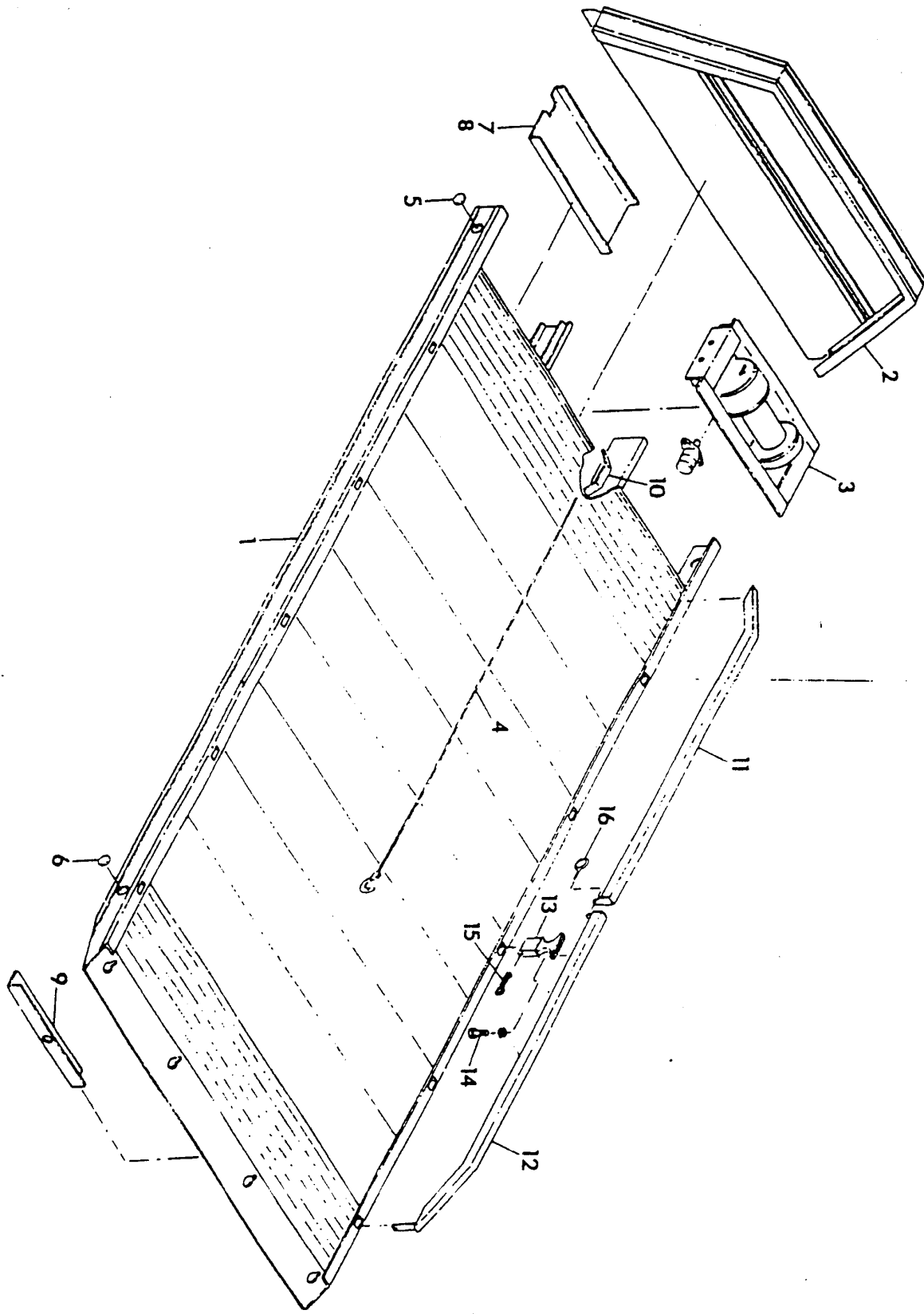
Ref. No.	Part No.	Description	Qty.
1	D2-537-0-00065	Subframe	1
2	C1-700-1-00008	Rollback Cylinder	1
3	C2-534-0-00028	Valve Trough	1
4	C2-100-0-00060	Oil Reservoir	1
5	B4-537-0-00019	Saddle	1
6	B4-537-0-00020	Saddle	1
7	C2-537-0-00010	Hold-down	1
8	B2-537-0-00011	Body Rest	2
9	C1-700-1-00008	Tilt Cylinder	2
10	A2-537-0-00041	Subframe Pivot	2
11	A2-533-0-00160	Upper Cylinder Pin	2
12	B4-525-0-00540	Decal Plate	1
13	A4-525-0-00539	Mounting Angle	2
14	C4-534-0-00337	Dust Cover	1
15	B4-525-0-00212	Mounting Angle	2
16	5-100-0-00019	Breather	1
17	A4-525-0-00692	Nylatron Block	2
18	A2-534-0-00055	Lower Cylinder Pin	2
19	A4-537-0-00021	Angle	2
20	A4-537-0-00022	Nylatron Hold-down Block	2
21	A2-537-0-00006	Retaining Clamp	2
22	B4-525-0-00710	Mud Flap Angle	1
23	C5-526-0-00588	Mud Flap	2
24	B4-525-0-00708	Back-up Strip	2
25	5-526-0-00557	Throttle Control	1
26	5-533-0-00231	Bar Light	1
27	7-111-1-81453	Hex Head Bolt	4
28	7-950-1-80000	Lockwasher	8
29	7-660-1-80000	Hex Nut	12
30	7-111-1-81653	Hex Head Bolt	4
31	7-111-1-61007	Flathead Machine Screw	4
32	7-950-1-60000	Lockwasher	16
33	7-660-1-60000	Hex Nut	16
34	7-105-1-81450	Hex Head Bolt	8
35	7-660-1-82317	Flange Nut	12
36	7-111-1-63253	Hex Head Bolt	8
37	7-690-1-03240	Expansion Pin	4
38	7-111-1-50850	Hex Head Bolt	4
39	7-950-1-50000	Lockwasher	12
40	7-660-1-50000	Hex Nut	12
41	7-111-1-62053	Hex Head Bolt	4
42	7-105-1-82853	Hex Head Bolt	4
43	7-115-1-61253	Hex Head Bolt	8
44	7-660-1-61605	Hex Locknut	8
45	7-111-1-50813	Truss Head Screw	8
46	7-790-1-40856	Hex Washer Head Screw	2
47	B4-525-0-00710	Mud Flap Angle	1

Rev. 1

Date 4-1-85

FINAL ASSEMBLY





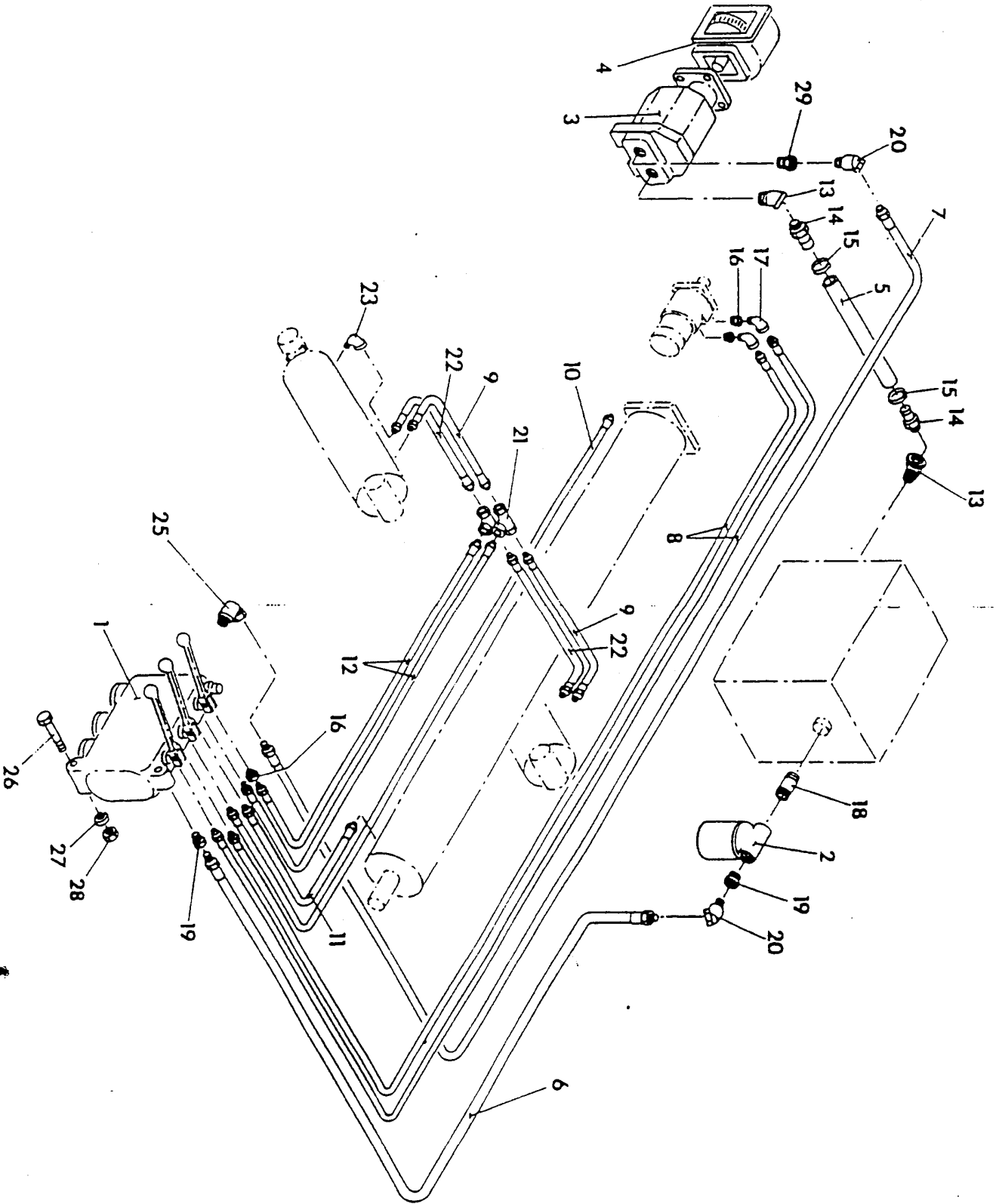
## PARTS LIST - DECK

Ref. No.	Part No.	Description	Qty.
1	D2-537-0-00029	Deck	1
2	D2-537-0-00001	Cab Protector	1
3	C2-537-0-00016	Winch Installation	1
4	3-533-0-00016	Winch Cable	1
5	3-100-0-00003	Amber Clearance	2
6	3-100-0-00004	Red Clearance	2
7	B4-537-0-00036	L. H. Chain Tray	1
8	B4-537-0-00037	R. H. Chain Tray	1
9	A4-537-0-00032	Rod Mounting Bracket	1
10	B4-533-0-00627	Hold-down	2
11	C2-537-0-00015	Raised Rail	2
12	C2-537-0-00014	Raised Rail	2
13	5-537-0-00002	Raised Rail Post	8
14	7-111-1-61025	Hex Head Bolt	16
15	5-537-0-00014	Clinch Pin	10
16	5 537 0-00147	Klick Pin	2

Rev. 1

Date 4-1-85

HYDRAULIC COMPONENTS



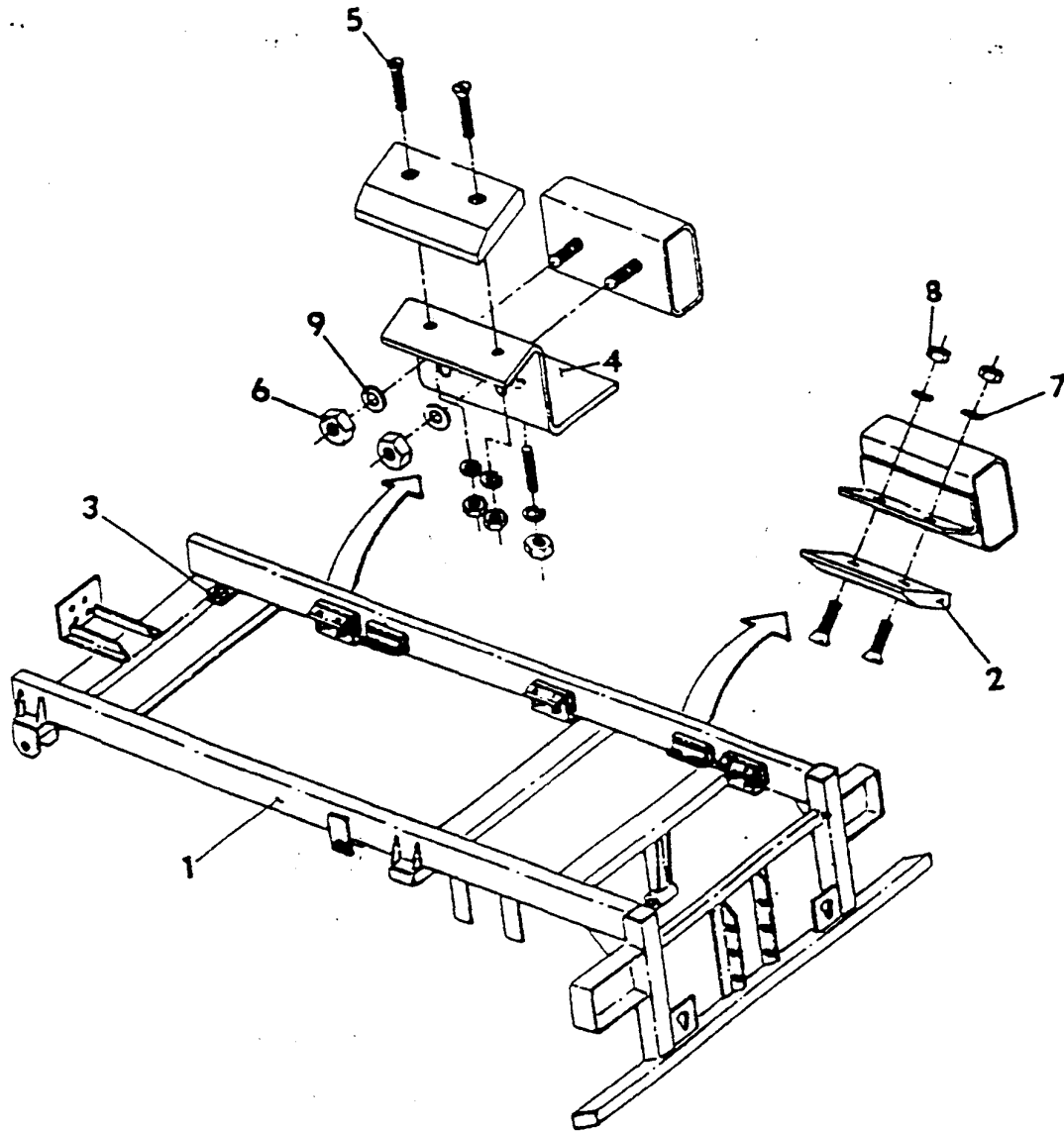
## PARTS LIST - HYDRAULIC COMPONENTS

Ref. No.	Part No.	Description	Qty.
1	A3-100-0-00002	Valve	1
2	A3-525-0-00216	Oil Filter	1
3	3-527-0-00068	Pump (Dana)	1
4	A3-100-0-00001	PTO	1
5	4-533-0-00537	Suction Hose	1
6	2-533-0-00144	Return Line Hose Ass'y.	1
7	2-533-0-00143	Pressure Hose	1
8	2-533-0-00149	Winch Line Hose Ass'y.	2
9	2-537-0-00018	Tilt Cyl. Hose Ass'y.	2
10	2-533-0-00145	Rollback Cyl. Hose Ass'y.	1
11	2-533-0-00146	Rollback Cyl. Hose Ass'y.	1
12	2-533-0-00147	Tilt Cyl. Hose Ass'y.	2
13	7-444-1-01090	1.25 x 45° Street El.	2
14	7-445-2-02078	1.25 Hose Adaptor	2
15	5-527-0-00067	Hose Clamp	2
16	7-444-0-40354	Reducer	8
17	7-445-0-60604	Swivel Elbow	2
18	7-650-0-60160	Pipe Nipple	1
19	7-444-0-60454	Reducer	2
20	7-445-0-80809	Swivel El. x 45°	1
21	7-445-0-60614	Tee	2
22	2-537-0-00017	Tilt Cylinder Hose Ass'y.	2
23	5-525-0-00552	Street Elbow	4
24	Not Used		
25	7-445-1-20804	Elbow	1
26	7-111-1-62053	Hex Head Bolt	3
27	7-950-1-60000	Lockwasher	3
28	7-660-1-60000	Hex Nut	3
29	7-444-0-80454	Reducer	1
	5-527-0-00328	Service Kit, Dana Pump	
	5-527-0-00327	Shaft Seal, Dana Pump	
	5-525-0-00737	Service Kit, Gresen Valve	
	5-525-0-00644	Service Kit, Cross Valve	

Rev. \_\_\_\_\_

Date \_\_\_\_\_

# SUBFRAME



## PARTS LIST - SUBFRAME

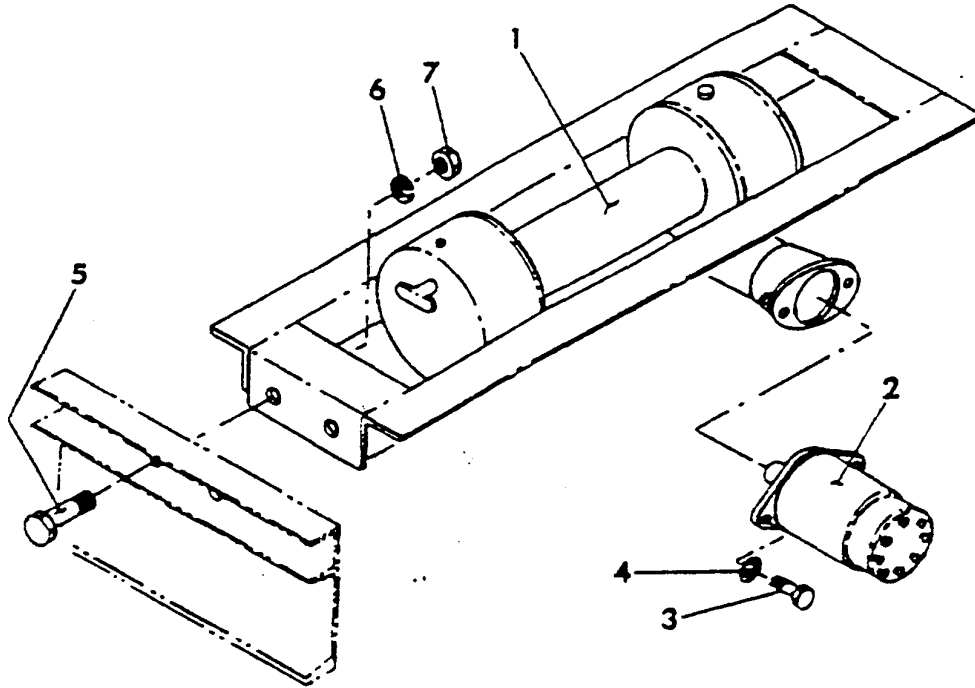
Ref. No.	Part No.	Description	Qty.
1	D2-537-0-00085	Subframe	1
2	A4-525-0-00692	Nylatron Block	10
3	A4-537-0-00130	Nylatron Pad	2
4	C4-537-0-00137	Adjustable Slide Block Mount	6
5	7-111-1-81023	Torx Flathead Machine Screw	20
6	7-660-1-81600	Hex Locknut	18
7	7-950-1-80000	Lockwasher	20
8	7-668-1-80000	Hex Nut	20
9	7-950-1-80153	Hardened Flatwasher	18

Rev. 1

Date 4-1-85



# WINCH ASSEMBLY



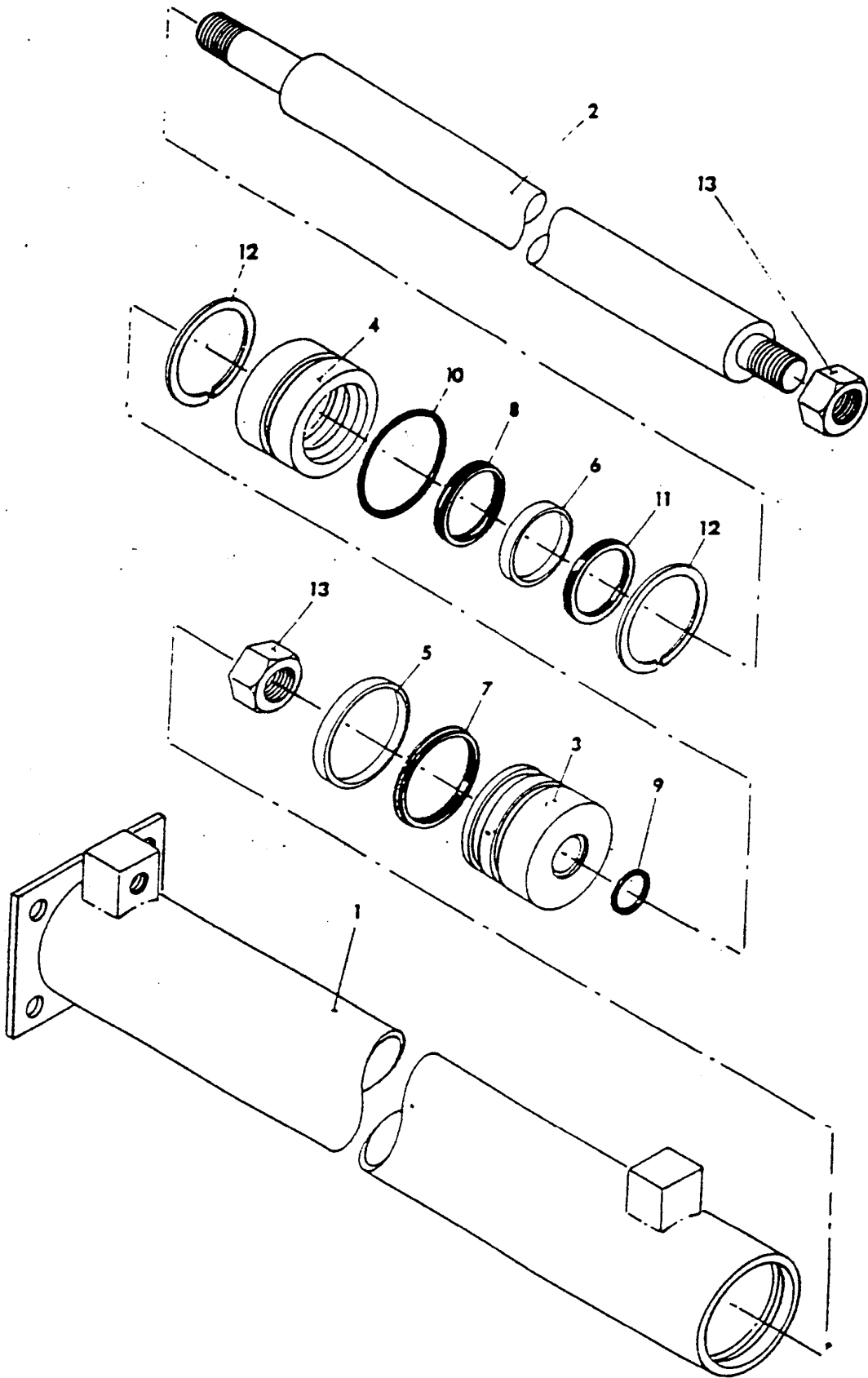
## PARTS LIST - WINCH COMPONENTS

Ref. No.	Part No.	Description	Qty.
1	3-533-0-00031	8,000# Ramsey Winch	1
2	3-533-0-00038	Orbit Motor	1
3	7-111-1-81053	Hex Head Capscrew	2
4	7-950-1-80410	Lockwasher	2
5	7-105-1-81450	Head Head Bolt	4
6	7-950-1-80000	Lockwasher	4
7	7-660-1-82317	Hex Nut	4

Rev. 1

Date 4-1-85

# ROLL BACK CYLINDER



Rev. \_\_\_\_\_

Date \_\_\_\_\_

## PARTS LIST - ROLL BACK CYLINDER

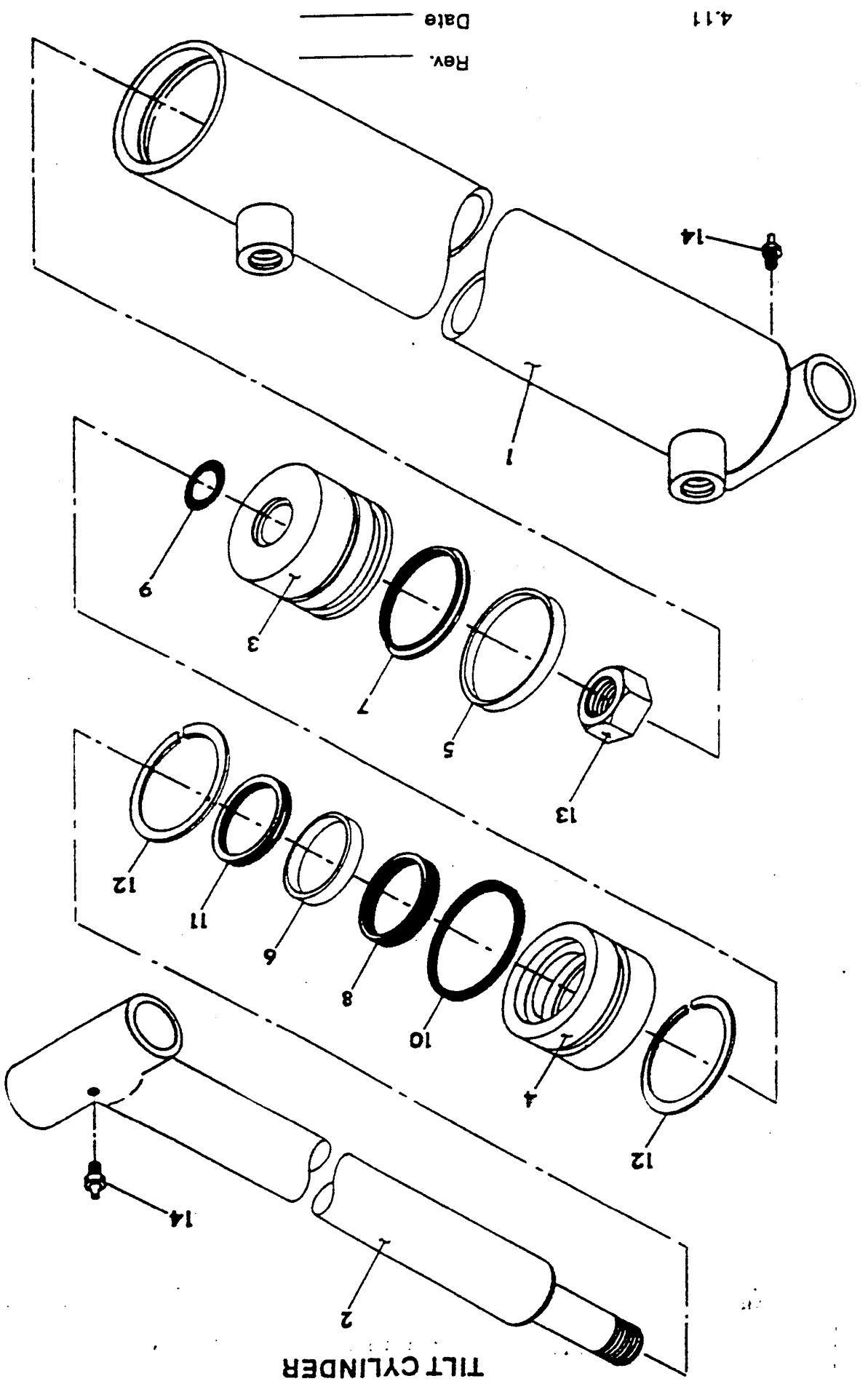
Ref. No.	Part No.	Description	Qty.
1	C2-700-2-00014	Barrel	1
2	B4-700-2-00033	Rod	1
3	B4-700-2-00008	Piston	1
4	B4-700-2-00009	Head	1
5	A5-700-0-00005*	Ring, Wear	1
6	A5-700-0-00006*	Ring, Wear	1
7	A5-700-0-00001*	Seal, Piston T	1
8	A5-700-0-00002*	Seal, Rod	1
9	7-755-2-14000*	'O' Ring	1
10	7-755-3-34000*	'O' Ring	1
11	A5-700-0-00003*	Seal, Rod Wiper	1
12	A5-700-0-00004*	Ring, Retaining	2
13	7-660-2-61632	Nut, Lock	1

\*Available only in Service Kit No. 9-700-0-00001

Rev. \_\_\_\_\_

Date \_\_\_\_\_

TILT CYLINDER



Rev. \_\_\_\_\_  
Date \_\_\_\_\_

4.11

## PARTS LIST - TILT CYLINDER

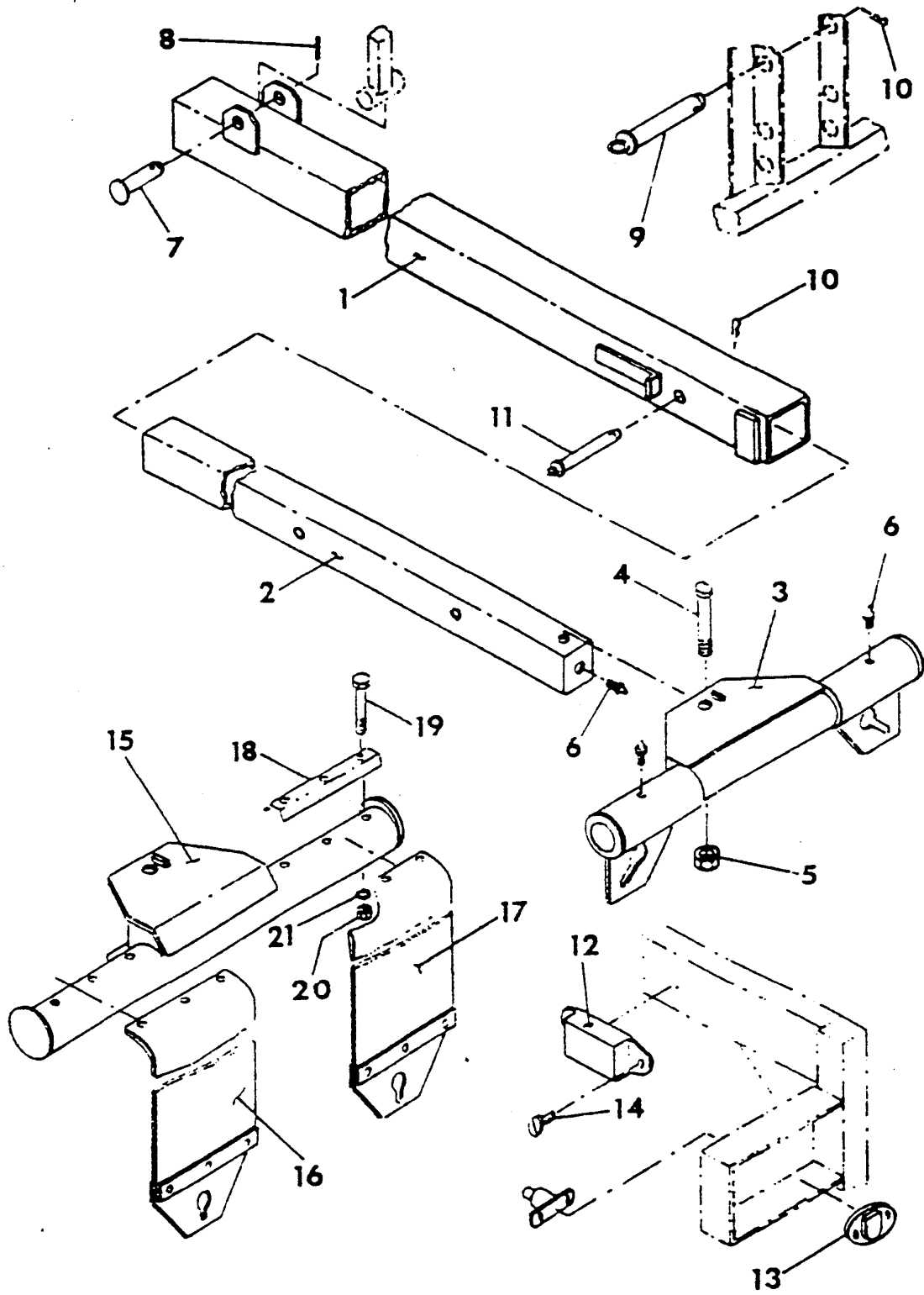
Ref. No.	Part No.	Description	Qty.
1	C2-700-2-00011	Barrel	1
2	B2-700-2-00012	Rod	1
3	B4-700-2-00008	Piston	1
4	B4-700-2-00009	Head	1
5	A5-700-0-00005*	Ring, Wear	1
6	A5-700-0-00006*	Ring, Wear	1
7	A5-700-0-00001*	Seal, Piston 'T'	1
8	A5-700-0-00002*	Seal, Rod	1
9	7-755-2-14000*	'O' Ring	1
10	7-755-3-34000*	'O' Ring	1
11	A5-700-0-00003*	Seal, Rod Wiper	1
12	A5-700-0-00004	Ring, Retaining	2
13	7-860-2-81632	Nut Lock	1
14	7-440-0-00000	Fitting Grease	2

\*Available only in Service Kit No. 9-700-0-00001

Rev. \_\_\_\_\_

Date \_\_\_\_\_

# TOW BAR



Rev. \_\_\_\_\_

Date \_\_\_\_\_

## PARTS LIST - TOW BAR

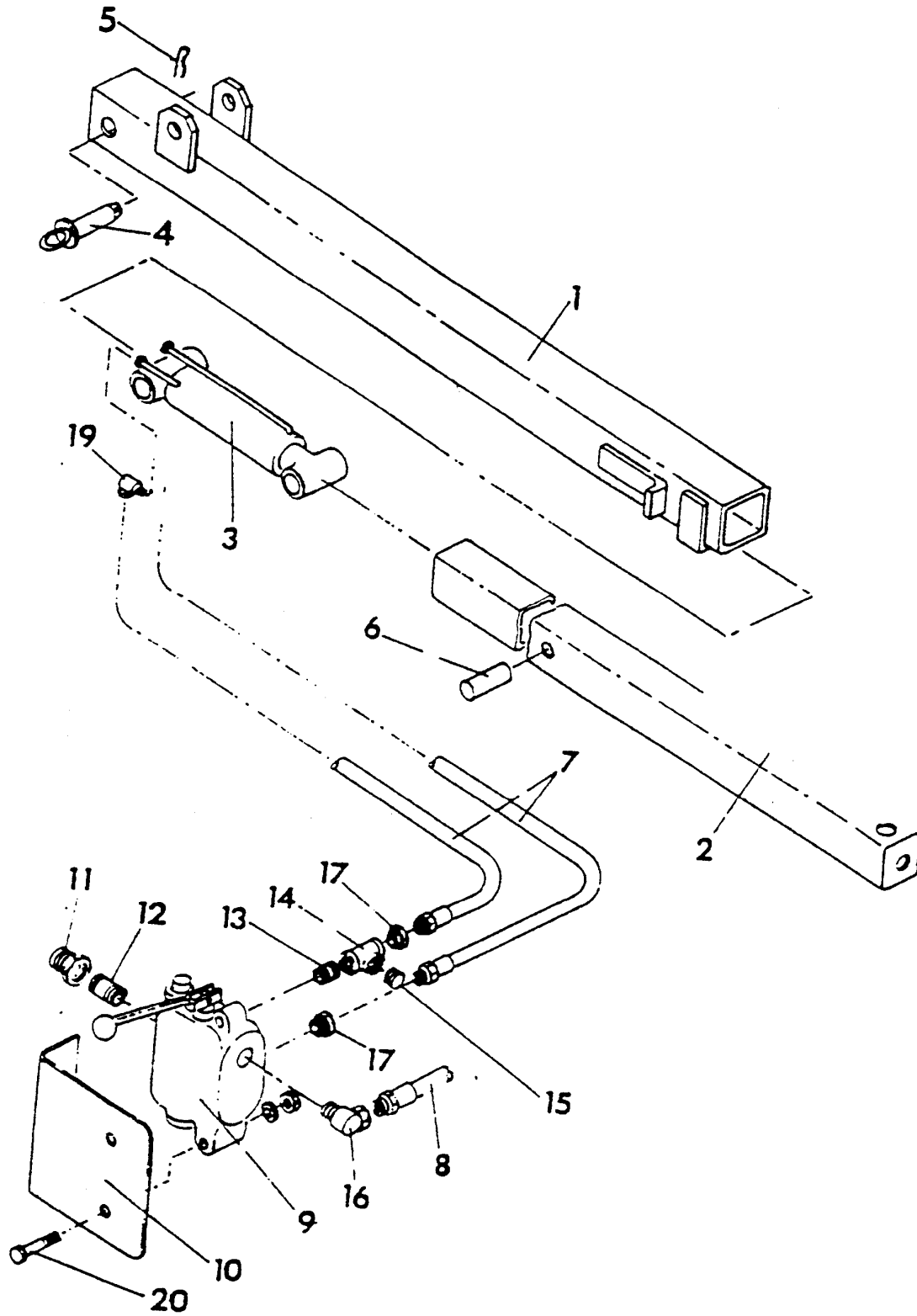
Ref. No.	Part No.	Description	Qty.
1	C2-100-0-00062	Outer Tube Weldment	1
2	C2-100-2-00049	Inner Tube Weldment	1
3	C1-100-2-00008	Tow Hitch	1
4	A2-100-2-00020	Hitch Pin	1
5	7-660-2-61630	Hex Lock Nut	1
6	7-440-0-00000	Grease Fitting	3
7	A2-533-1-00022	Tow Bar Attach Pin	1
8	7-690-1-03210	Cotter Pin	1
9	A2-100-2-00039	Tow Bar Adj. Pin	2
10	A5-533-0-00106	Hair Pin	3
11	A2-100-2-00017	Safety Pin	1
12	5-533-0-00145	Junction Box	1
13	B2-530-0-00034	Four-Way Connector Install.	1
14	7-790-1-40856	Screw	2
15	2-100-2-00025*	Tow Hitch	1
16	C2-100-2-00043*	Tow Bar Strap	2
17	A4-100-3-00078*	Clamp Bar	2
18	7-111-1-63253*	Screw, Slotted	6
19	7-660-1-60000*	Hex, Nut	6
20	7-950-1-60000*	Lockwasher	6

\* Optional Equipment

Rev. 1

Date 4-1-85

# HYDRAULIC TOW BAR



Rev. \_\_\_\_\_

Date \_\_\_\_\_



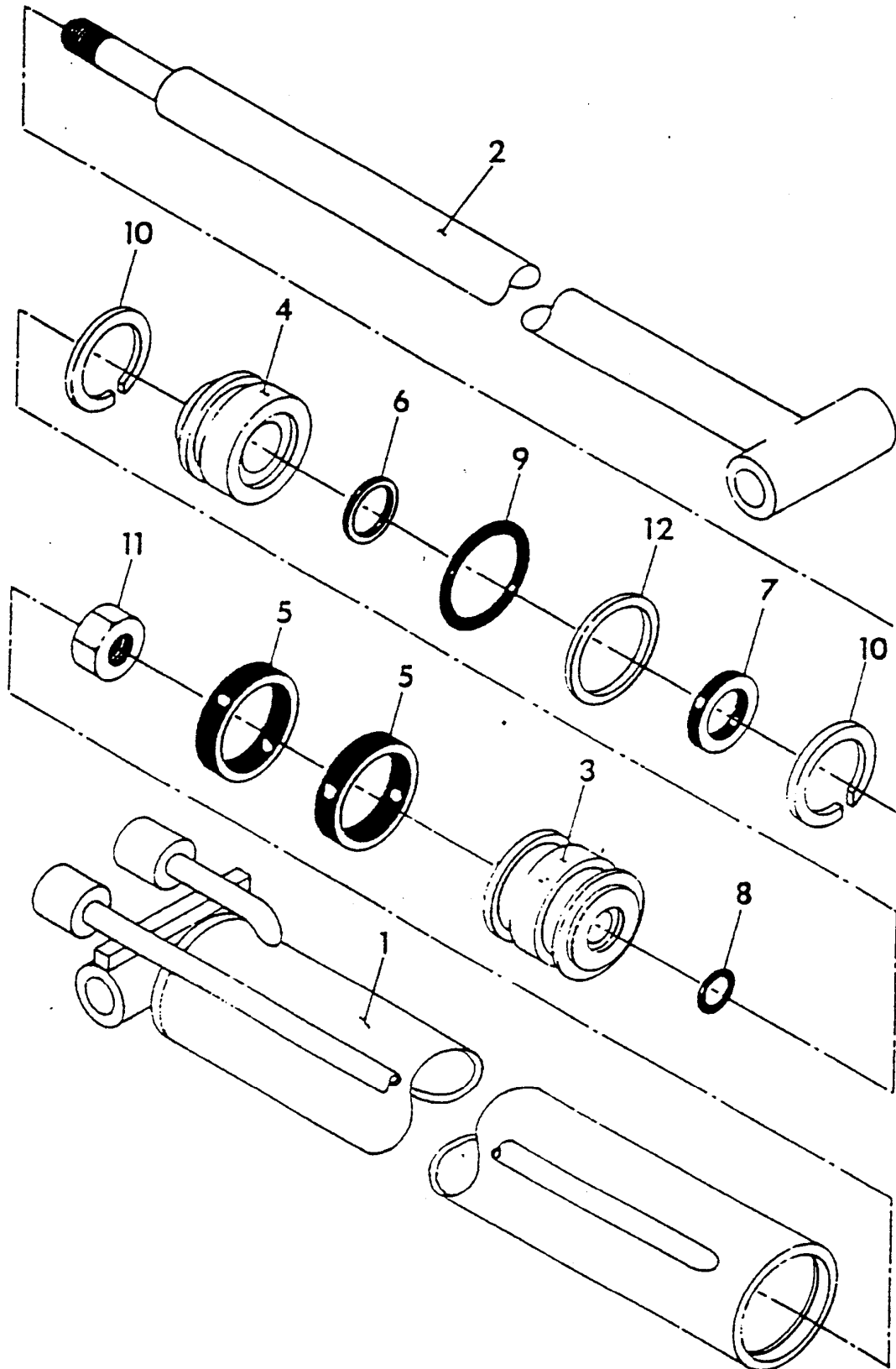
## PARTS LIST - HYDRAULIC TOW BAR

Ref. No.	Part No.	Description	Qty.
1	C2-100-0-00061	Outer Tube Weldment	1
2	C2-100-2-00046	Inner Tube Weldment	1
3	C1-700-1-00026	Tow Bar Cylinder	1
4	A2-100-2-00044	Safety Pin	1
5	A5-533-0-00106	Cotter Pin	1
6	A4-100-3-00103	Pin	1
7	2-537-0-00022	Hose Assembly	2
8	2-533-0-00155	Jumper Return Line Assembly	1
9	A5-530-0-00064	Valve	1
10	B4-530-0-00065	Valve, Mtg. Bracket	1
11	5-525-0-00533	Power Beyond Kit	1
12	7-650-0-60200	Pipe Nipple	1
13	7-445-1-20804	Elbow	1
14	7-444-0-40354	Reducer	2
15	7-445-0-60604	Elbow	2
16	7-111-1-62053	Hex Head Bolt	3
17	7-950-1-60000	Lock Washer	3
18	7-660-1-60000	Hex Nut	3

Rev. 1

Date 4-1-85

# TOW BAR CYLINDER



## PARTS LIST - TOW BAR CYLINDER

Ref. No.	Part No.	Description	Qty.
1	C2-700-2-00039	Barrel	1
2	B2-700-2-00038	Rod	1
3	B4-700-2-00074	Piston	1
4	B4-700-2-00075	Head	1
5	A5-700-0-00014	Seal, Piston	2
6	A5-700-0-00015	Seal, Rod	1
7	A5-700-0-00016	Seal, Rod Wiper	1
8	7-755-2-08000	'O' Ring	1
9	7-755-3-27000	'O' Ring	1
10	A5-700-0-00017	Ring, Retainer	2
11	7-660-2-01630	Nut, Lock	1
12	7-755-3-27609	Ring, Back-up	1

Rev. \_\_\_\_\_

Date \_\_\_\_\_

