

---

\$35.00

**QP40  
QUICK PICK**

**OPERATIONS, MAINTENANCE,  
AND PARTS MANUAL**

***JERR-DAN***

An Oshkosh Truck Corporation Company

1080 Hykes Road  
Greencastle, PA 17225

Phone (717) 597-7111

G-AC

Part Number 5-376-000076  
Rev. 0

**SUBFRAME INSTALLATION - FORD**

<b>Ref No.</b>	<b>Part No.</b>	<b>Description</b>	<b>Qty.</b>
1	3868000219	Subframe	1
2	3750000031	Hydraulic Tank	1
3	3470000001	Breather Assembly	1
4	7115160850	Capscrew	4
5	7950160161	Flatwasher	8
6	7660161600	Locknut	4
7	7701000026	Plug	1
8	4706003255	Plate	2
9	4706003511	Plate	1
10*	4706003520	Shim 14 Ga	As Req'd
	4706003521	Shim 11 Ga	
11*	4706003516	Shim 14 Ga	As Req'd
	4706003517	Shim 11 Ga	
12*	4706003522	Shim 14 Ga	As Req'd
	4706003523	Shim 11 Ga	
13	4706003510	Plate	1
14	4706003509	Plate	2
15*	4706003524	Shim 14 Ga	As Req'd
	4706003525	Shim 11 Ga	
16*	4706003518	Shim 14 Ga	As Req'd
	4706003519	Shim 11 Ga	
17	7115181250	Capscrew	12
18	7660182301	Locknut	12
19	4706003526	Plate	2
20	4706003527	Plate	2

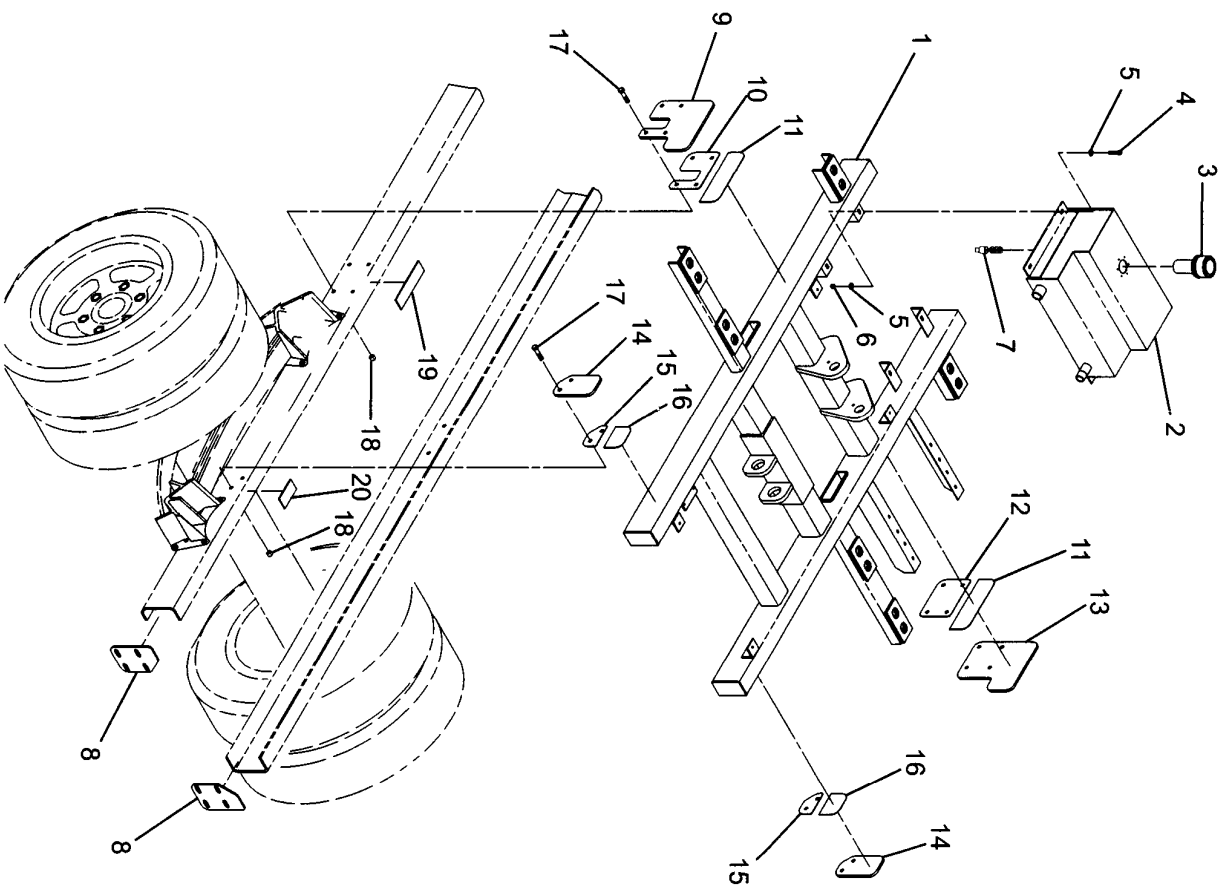
\*Available in Shim Kit 3577000073

Rev. \_\_\_\_\_

4.2

Date \_\_\_\_\_

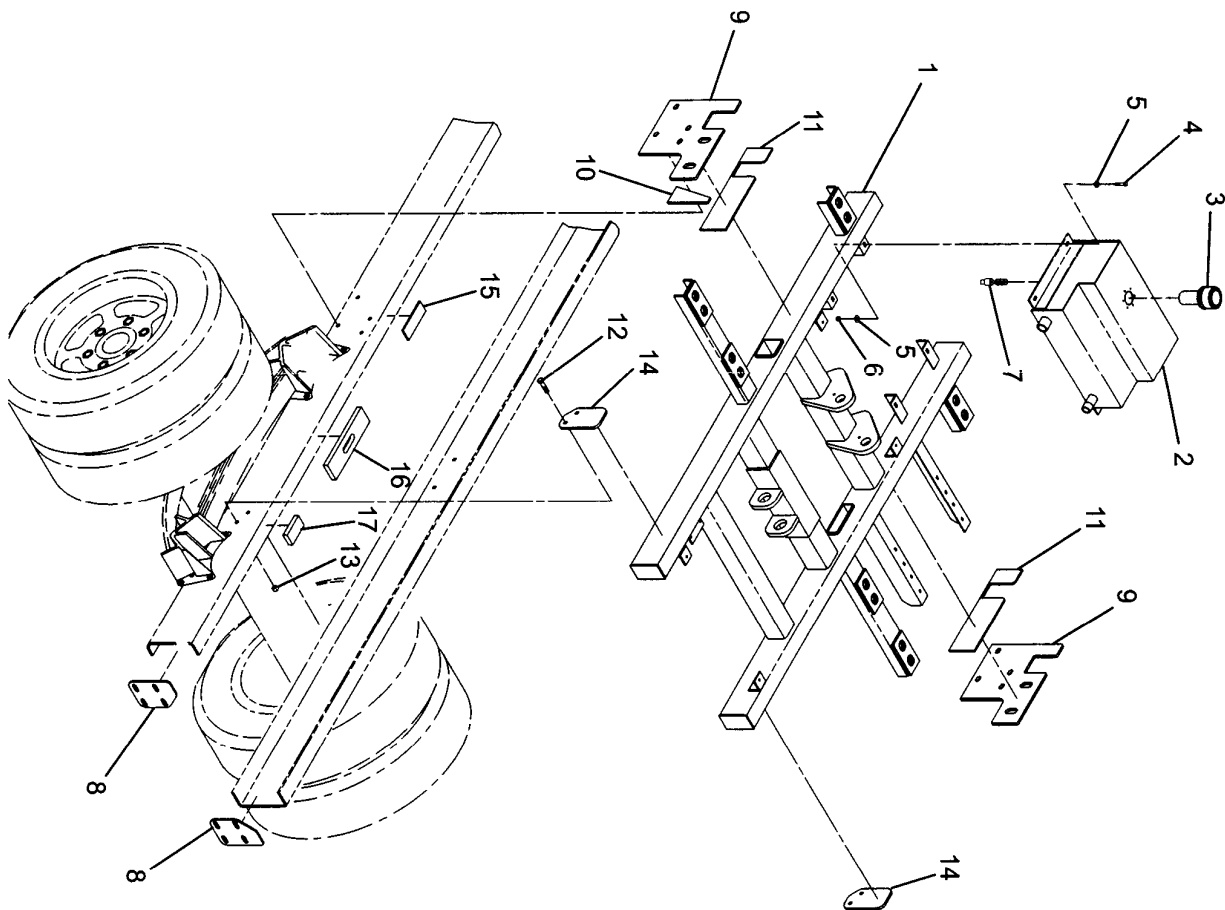
# SUBFRAME INSTALLATION - FORD



4.3

Rev. \_\_\_\_\_  
Date \_\_\_\_\_

SUBFRAME INSTALLATION - CHEVY



4.4

Rev. \_\_\_\_\_  
Date \_\_\_\_\_

---

**SUBFRAME INSTALLATION - CHEVY**

<b>Ref No.</b>	<b>Part No.</b>	<b>Description</b>	<b>Qty.</b>
1	3868000224	Subframe	1
2	3750000031	Hydraulic Tank	1
3	3470000001	Breather Assembly	1
4	7115160850	Capscrew	4
5	7950160161	Flatwasher	8
6	7660161600	Locknut	4
7	7701000026	Plug	1
8	4706003255	Plate	2
9	4706003642	Plate	2
10	4706003642	Plate	2
11	4706003644	Plate	2
12	7115181250	Capscrew	4
13	7660182301	Locknut	4
14	4706003643	Plate	2
15	4062000462	Bar	2
16	4706003646	Plate	2
17	4062000461	Bar	2

---

**BOOM ASSEMBLY**

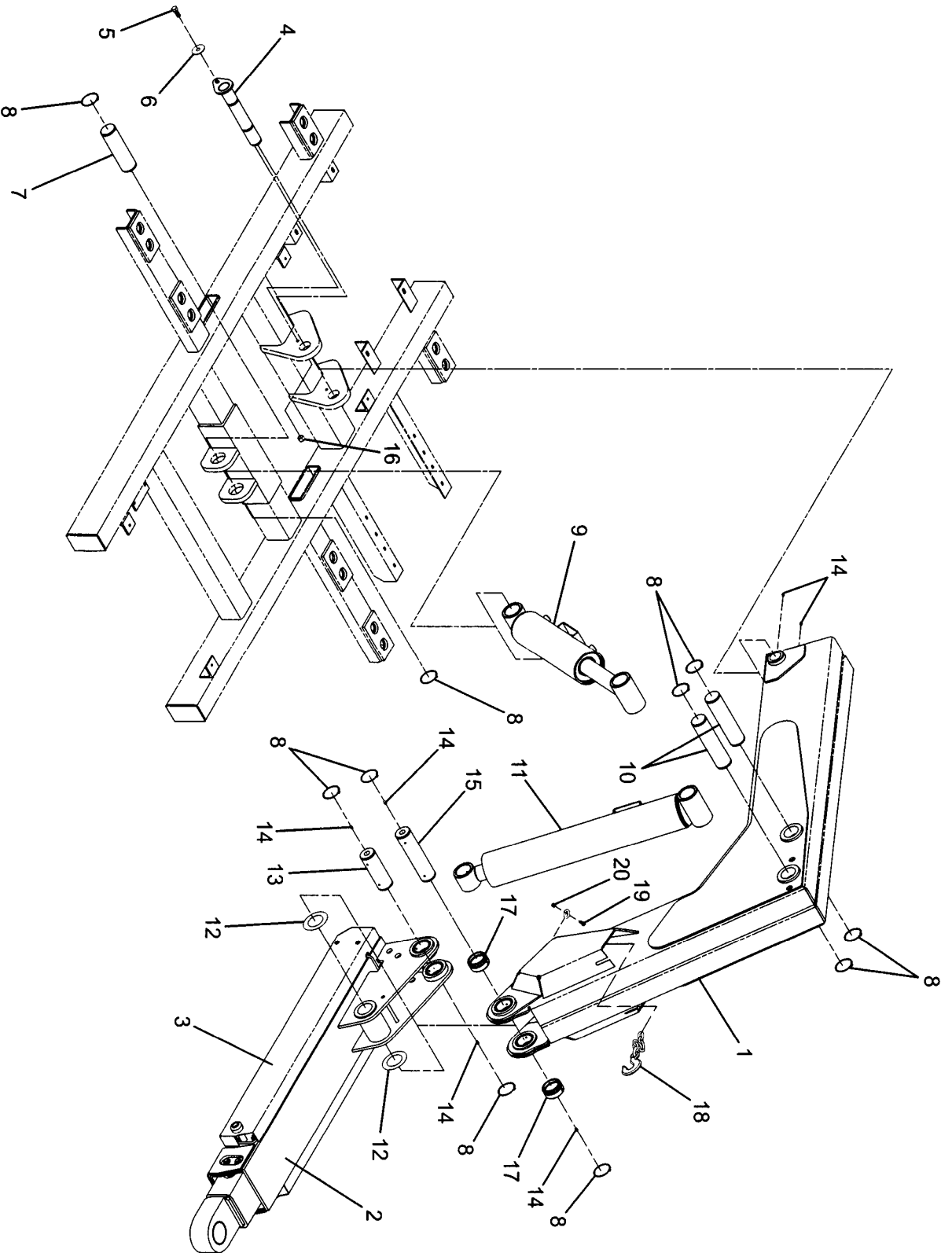
<b>Ref No.</b>	<b>Part No.</b>	<b>Description</b>	<b>Qty.</b>
1	3509870021	Boom Weldment	1
2	3170000244	Underlift Boom Assembly	1
3	3509870012	Hose Tracking Assembly	1
4	3691000193	Pin	1
5	7115161250	Capscrew	1
6	7950160161	Flatwasher	1
7	4691000309	Pin	1
8	7754000048	Retaining Ring	10
9	3320000065	Lift Cylinder	1
10	4691000303	Pin	2
11	3320000105	Tilt/Fold Cylinder	1
12	4949000050	Washer	2
13	4691000389	Pin	1
14	7440030000	Grease Fitting	6
15	4691000390	Pin	1
16	7660161603	Locknut	1
17	7209000036	Bushing	2
18	7262000020	Chain	2
19	7115181050	Capscrew	2
20	7660182601	Locknut	2

Rev. \_\_\_\_\_

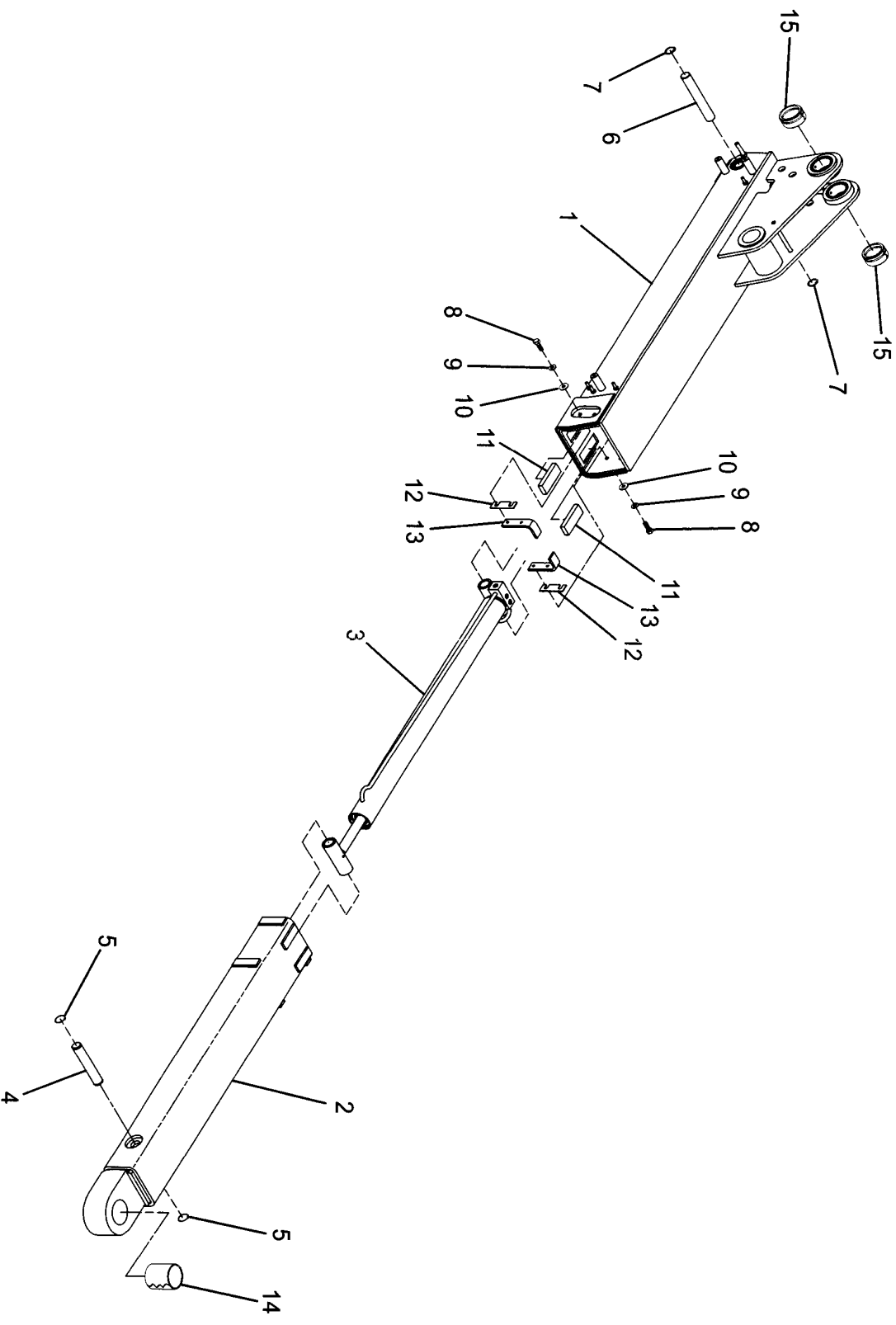
4.6

Date \_\_\_\_\_

BOOM ASSEMBLY



UNDERLIFT BOOM ASSEMBLY





**UNDERLIFT BOOM ASSEMBLY**

<b>Ref No.</b>	<b>Part No.</b>	<b>Description</b>	<b>Qty.</b>
1	3170000245	Base Boom Weldment	1
2	3170000242	Fly Boom Weldment	1
3	3320000067	Underlift Extension Cylinder	1
4	4691000307	Pin	1
5	7754000019	Retaining Ring	2
6	4691000308	Pin	1
7	7754000056	Retaining Ring	2
8	7105150550	Capscrew	4
9	7950150000	Lockwasher	4
10	7950150161	Flatwasher	4
11	4679000213	Pad	2
12	4812000067	Shim 14 Ga	As Req'd
	4812000068	Shim 16 Ga	
13	4062000455	Bar	2
14	7209000030	Bushing	1
15	7209000036	Bushing	2

---

**UNDERLIFT BOOM HOSE TRACKING ASSEMBLY**

<b>Ref No.</b>	<b>Part No.</b>	<b>Description</b>	<b>Qty.</b>
1	3170000244	Underlift Base Assembly	1
2*	7592000004	Link Swivel	2
3*	7843000031	Extension Spring	2
4*	4706003501	Plate	2
5*	7719000004	Roller	2
6*	4691000040	Clevis Pin	2
7*	4691000042	Cotter Pin	2
8*	7912000147	L.H. Tube Assembly	1
9*	7912000148	R.H. Tube Assembly	1
10*	7274000073	Hose Clamp	10
11*	7660142604	Locknut	10
12*	4706003491	L.H. Cover Plate	1
13*	4706003492	R.H. Cover Plate	1
14*	7114140618	Capscrew	2
15*	7114140427	Capscrew	4
16*	7189000019	Rubber Bumper	2
17*	7950160153	Flatwasher	2
18*	7660162604	Locknut	2
19*	7950140143	Flatwasher	14

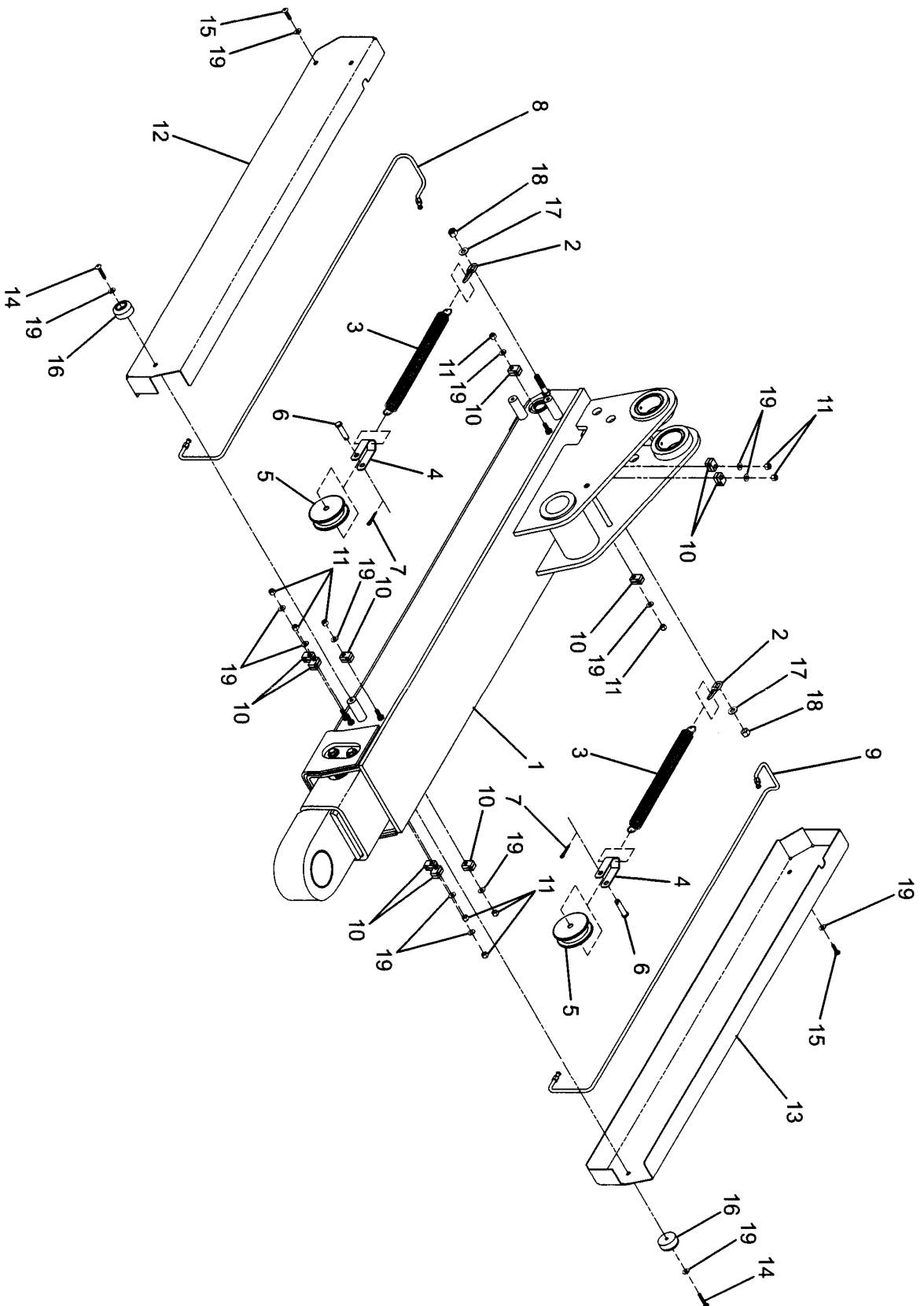
\*Available as Assembly 3509870012

Rev. \_\_\_\_\_

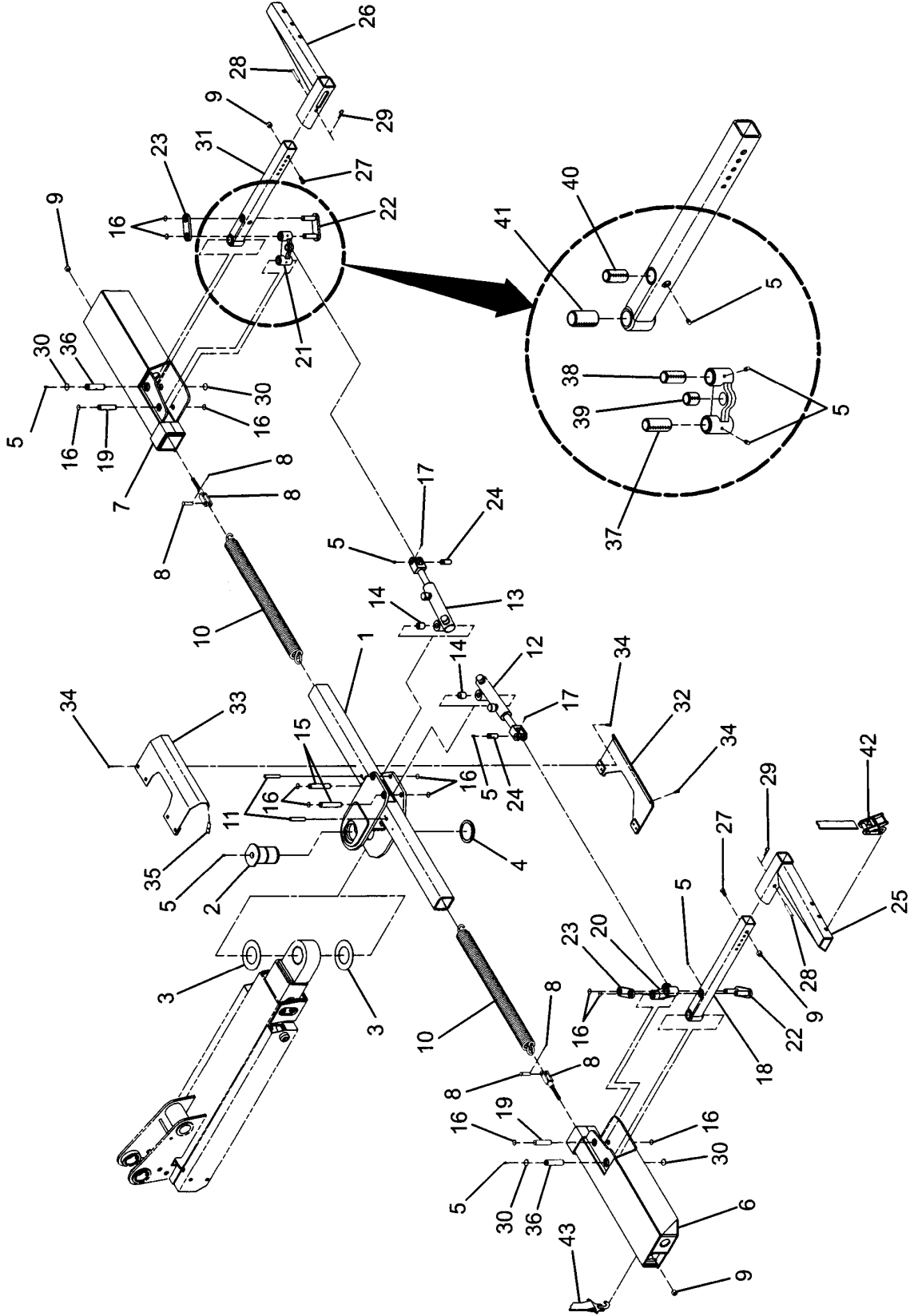
4.10

Date \_\_\_\_\_

UNDERLIFT BOOM HOSE TRACKING ASSEMBLY



WHEEL GRID ASSEMBLY



Rev. \_\_\_\_\_  
Date \_\_\_\_\_

**WHEEL GRID ASSEMBLY**

Ref No.	Part No.	Description	Qty.
1	3913000079	Cross Tube Weldment	1
2	4691000198	Pin	1
3	4949000047	Washer	2
4	7754000024	Retaining Ring	1
5	7440030000	Grease Fitting	11
6	3484000054	L.H. Grid Weldment	1
7	3484000055	R.H. Grid Weldment	1
8	3990000004	Yoke Weldment With Pin and Cotter	2
9	7660182301	Locknut	4
10	7843000033	Extension Spring	2
11	4691000385	Pin	2
12	7320000044	L.H. Grid Cylinder	1
13	7320000045	R.H. Grid Cylinder	1
14	4831000092	Spacer	2
15	4691000377	Pin	2
16	7754000022	Retaining Ring	14
17	7785100800	Setscrew	2
18	3020000092	L.H. Pivot Arm	1
19	4691000380	Pin	2
20	3592000031	L.H. Link Weldment	1
21	3592000032	R.H. Link Weldment	1
22	3592000033	Link Weldment	2
23	4706003497	Plate	2
24	4691000378	Pin	2
25	3020000089	L.H. Arm Weldment	1
26	3020000090	R.H. Arm Weldment	1
27	7120000038	Capscrew	2
28	4120000017	Socket Head Capscrew	2
29	7690051610	Cotter Pin	2
30	7754000019	Retaining Ring	4
31	3020000093	R.H. Pivot Arm	1
32	3706000207	Cylinder Skid Plate	1
33	3706000206	Cylinder Cover Plate	1
34	7114140623	Capscrew	11
35	7661000019	U-Nut	3
36	4691000386	Pin	2
37	7209000046	Bushing	2
38	7209000044	Bushing	2
39	7209000048	Bushing	2
40	7209000042	Bushing	2
41	7209000045	Bushing	2
42	7894000028	Ratchet	2
43	7894000044	Tie Down Strap	2
44	7660160200	Jam Nut	2

**JERR-DAN**

An Oshkosh Truck Corporation Company

4.13

Rev. \_\_\_\_\_

Date \_\_\_\_\_

**LIFT CYLINDER  
3320000065**

<b>Ref No.</b>	<b>Part No.</b>	<b>Description</b>	<b>Qty.</b>
1	3071000061	Barrel	1
2	3763000082	Rod	1
3	4698000008	Piston	1
4	4553000009	Head	1
5	7754000013	Retaining Ring	1
6	7754000028	Retaining Ring	1
7	7661000035	Locknut	1
8	7440030000	Grease Fitting	2
9*	7755226000	O-Ring	1
10*	7755226609	Back-up Ring	2
11*	7796000065	Piston Seal	1
12*	7754000011	Wear Ring	2
13*	7754000012	Wear Ring	1
14*	7796000025	Seal	1
15*	7755342000	O-Ring	1
16*	7755342609	Back-up Ring	1
17*	7796000011	Wiper Seal	1

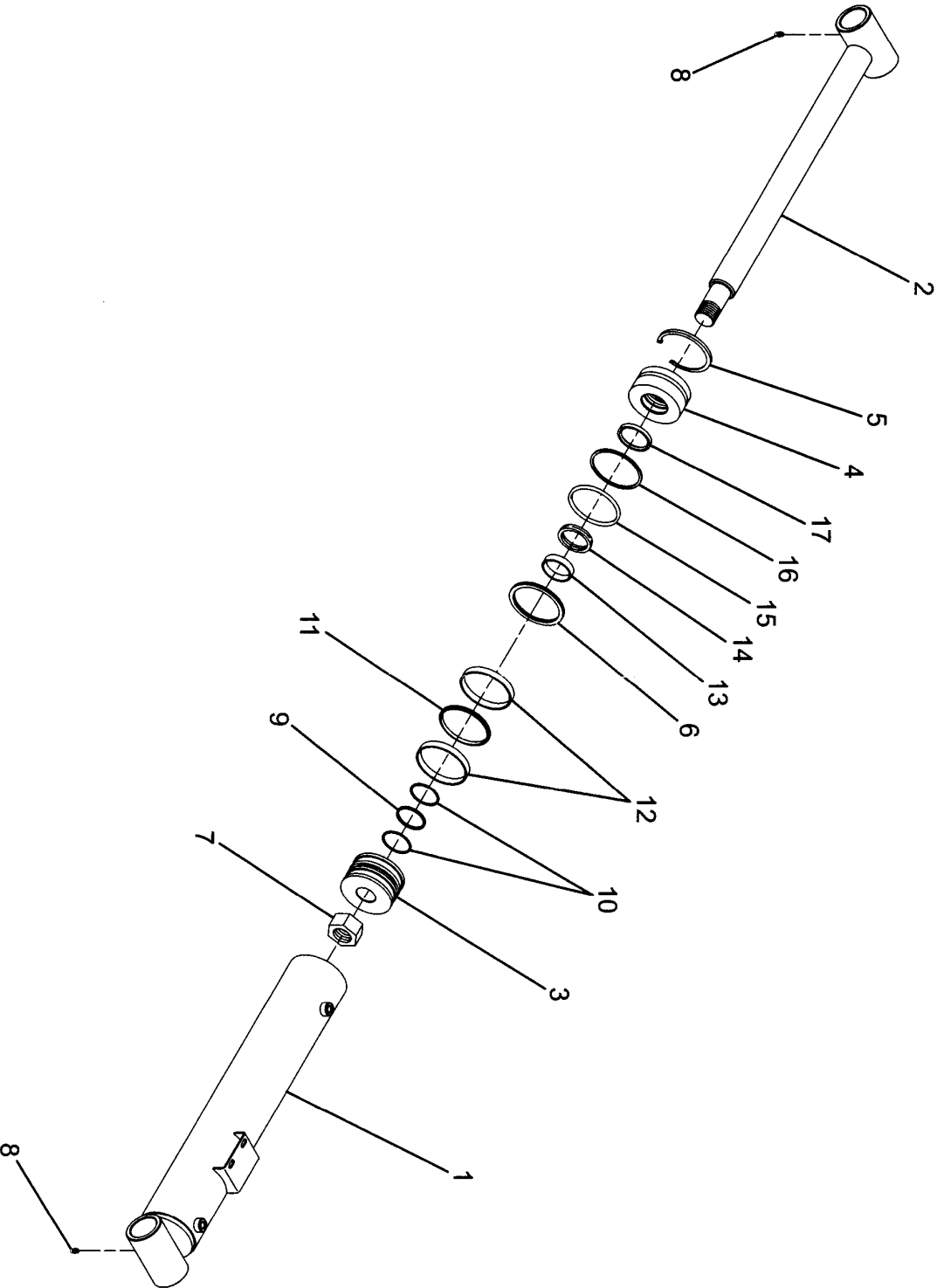
\* Available only in Service Kit 7577250026

Rev. \_\_\_\_\_

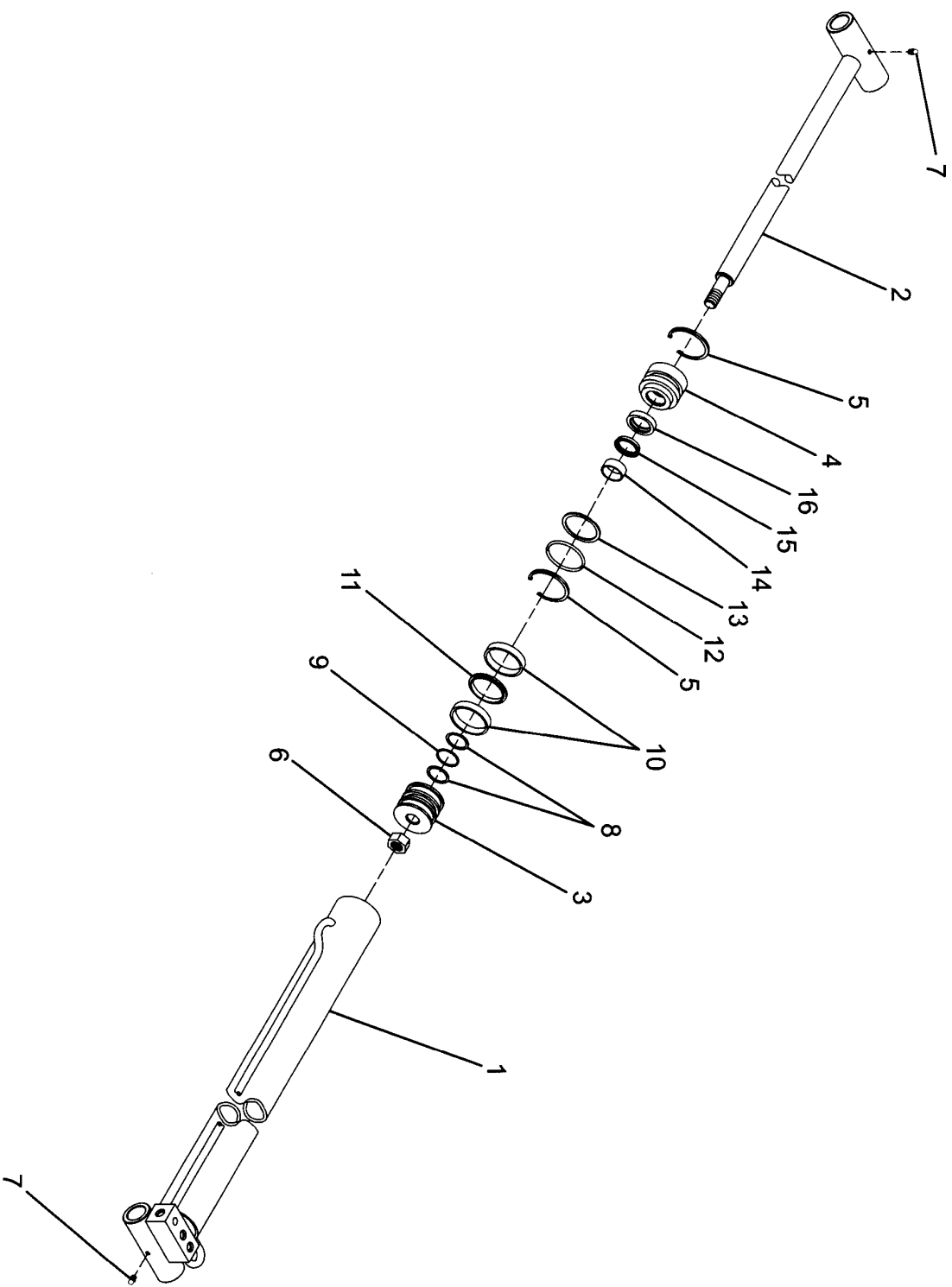
4.14

Date \_\_\_\_\_

LIFT CYLINDER  
3320000065



UNDERLIFT EXTENSION CYLINDER  
332000067





**UNDERLIFT EXTENSION CYLINDER  
332000067**

<b>Ref No.</b>	<b>Part No.</b>	<b>Description</b>	<b>Qty.</b>
1	3071000063	Barrel	1
2	3763000084	Rod	1
3	4698000011	Piston	1
4	4553000015	Head	1
5	7754000001	Retaining Ring	2
6	7661000037	Locknut	1
7	7440030000	Grease Fitting	2
8*	7755214609	Back-up Ring	2
9*	7755214000	O-Ring	1
10*	7754000030	Wear Ring	2
11*	7796000062	Piston Seal	1
12*	7755327000	O-Ring	1
13*	7755327609	Back-up Ring	1
14*	7754000036	Wear Ring	1
15*	7796000023	Rod Seal	1
16*	7796000005	Wiper Seal	1

\* Available only in Service Kit 7577250041

**TILT/FOLD CYLINDER  
3320000105**

<b>Ref No.</b>	<b>Part No.</b>	<b>Description</b>	<b>Qty.</b>
1	3071000062	Barrel	1
2	3763000113	Rod	1
3	4698000008	Piston	1
4	4553000009	Head	1
5	7754000013	Retaining Ring	1
6	7754000028	Retaining Ring	1
7	7661000035	Locknut	1
8	7440030000	Grease Fitting	2
9*	7755226609	Back-up Ring	2
10*	7755226000	O-Ring	1
11*	7796000065	Piston Seal	1
12*	7754000011	Wear Ring	2
13*	7754000012	Wear Ring	1
14*	7796000025	Seal	1
15*	7755342000	O-Ring	1
16*	7755342609	Back-up Ring	1
17*	7796000011	Wiper Seal	1

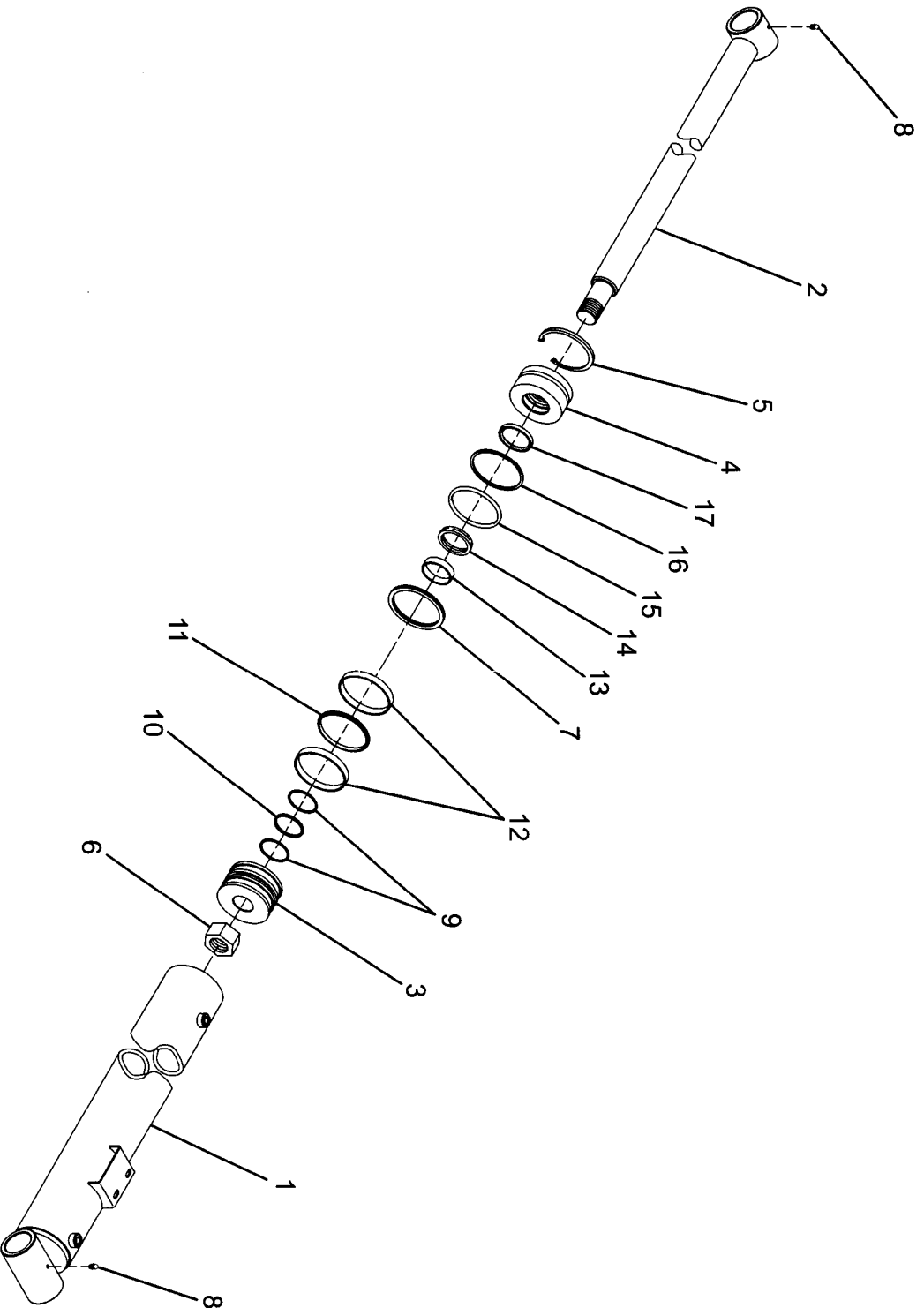
\* Available only in Service Kit 7577250026

Rev. \_\_\_\_\_

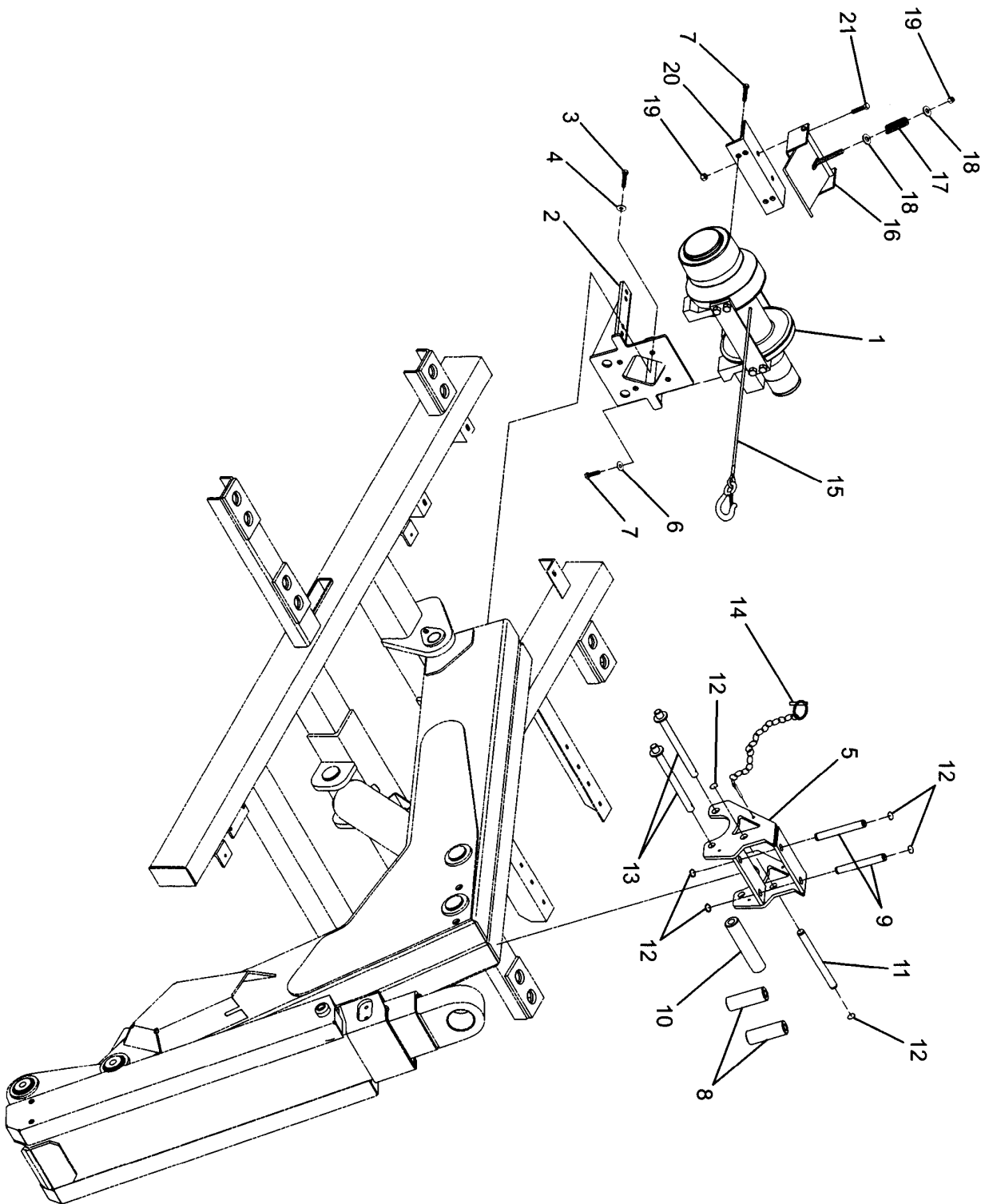
4.18

Date \_\_\_\_\_

TILT/FOLD CYLINDER  
3320000105



WINCH ASSEMBLY



---

**WINCH ASSEMBLY**

<b>Ref No.</b>	<b>Part No.</b>	<b>Description</b>	<b>Qty.</b>
1	7970000063	Winch	1
2	3706000203	Winch Mount	1
3	7115181450	Capscrew	4
4	7950180141	Flatwasher	4
5	3768000004	Roller Frame	1
6	7950180000	Lockwasher	4
7	7118180850	Capscrew	6
8	4912000325	Tube	2
9	4691000387	Pin	2
10	4912000326	Tube	1
11	4691000388	Pin	1
12	7754000022	Retaining Ring	6
13	3691000194	Pin	2
14	7691000027	Linch Pin w/ Chain and Cotter	2
15	3533000027	Cable	1
16*	3500900010	Cable Tensioner Weldment	1
17*	7843000004	Spring	1
18*	7590180161	Flatwasher	2
19*	7660182600	Locknut	3
20	4017000171	Angle	1
21	7115181050	Capscrew	2

\* Available as Assembly 3500900011



4.21

Rev. \_\_\_\_\_

Date \_\_\_\_\_

---

**TOW HITCH ASSEMBLY**

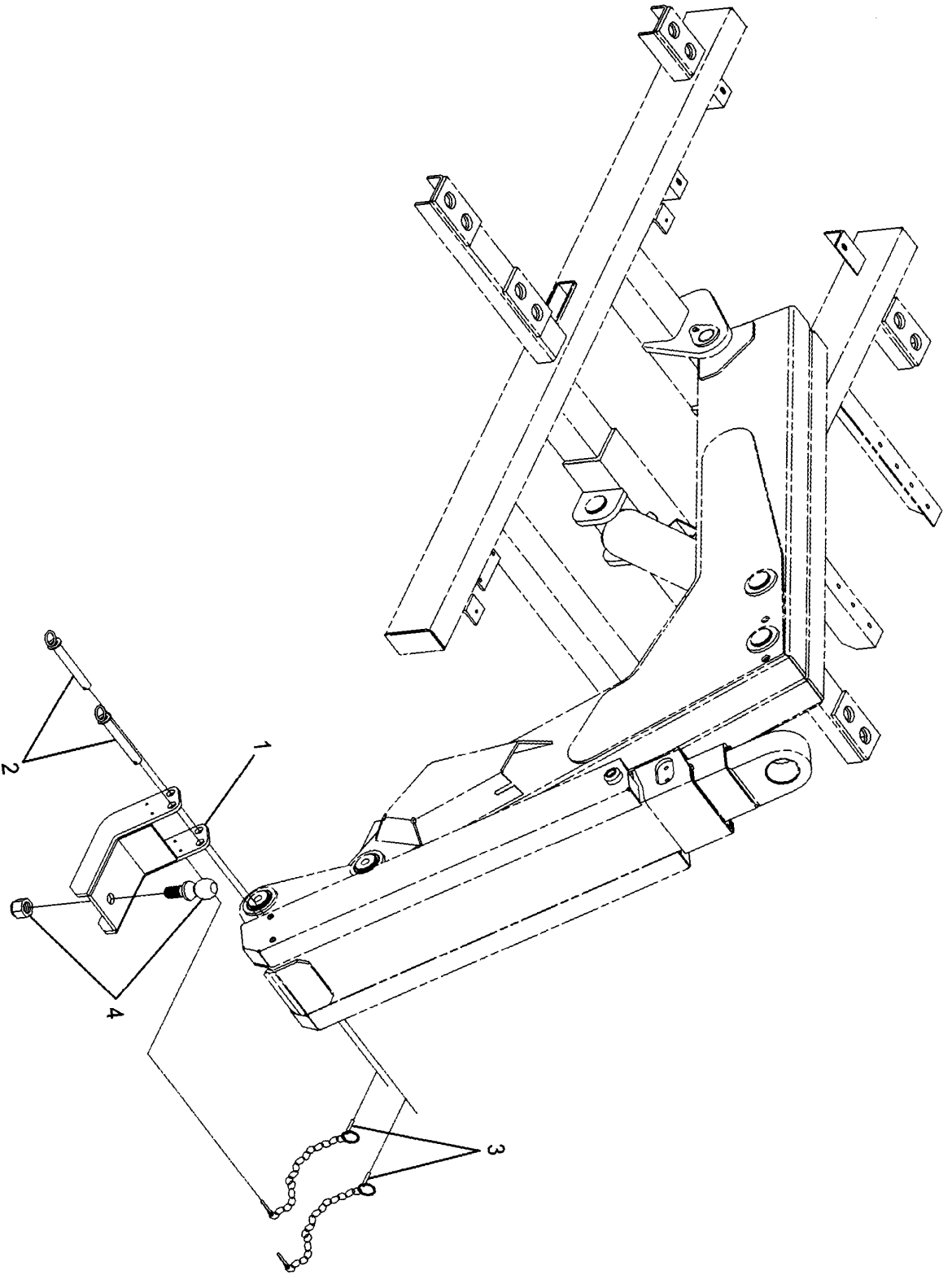
<b>Ref No.</b>	<b>Part No.</b>	<b>Description</b>	<b>Qty.</b>
1	3178000325	Tow Ball Hitch Bracket	1
2	3691000195	Pin	2
3	7691000027	Linch Pin w/ Chain and Cotter	2
4	7056000007	1-7/8" Ball	1
	7056000008	2" Ball	

Rev. \_\_\_\_\_

4.22

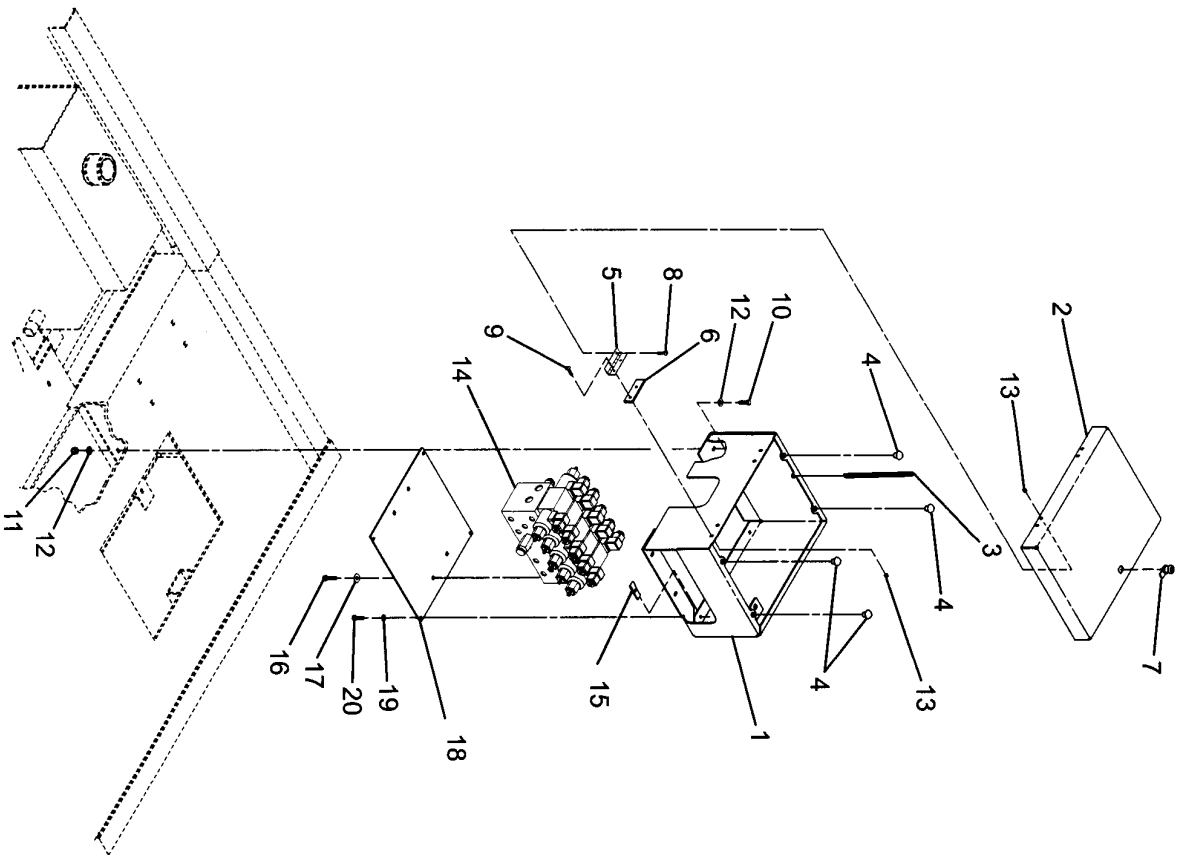
Date \_\_\_\_\_

TOW HITCH ASSEMBLY



Rev. \_\_\_\_\_  
Date \_\_\_\_\_

# CONTROLS ENCLOSURE





**CONTROLS ENCLOSURE**

<b>Ref No.</b>	<b>Part No.</b>	<b>Description</b>	<b>Qty.</b>
1	3811000020	Valve Enclosure	1
2	3811000022	Lid	1
3	7843000036	Spring	1
4	7189000007	Bumper	4
5	4555000008	Hinge	2
6	4706003608	Plate	2
7	7585000017	Lock	1
8	7114100318	Capscrew	4
9	7114100518	Capscrew	4
10	7115140850	Capscrew	4
11	7660142600	Locknut	4
12	7950140141	Flatwasher	8
13	7660102600	Locknut	8
14	7935000214	4 Section Valve	1
	7935000215	5 Section Valve	
15	7661000019	U-Nut	4
16	7115150650	Capscrew	4
17	7950150000	Lockwasher	4
18	4811000503	Sheet	1
19	7950140000	Lockwasher	4
20	7115140550	Capscrew	4



4.25

Rev. \_\_\_\_\_

Date \_\_\_\_\_

---

**BODY INSTALLATION**

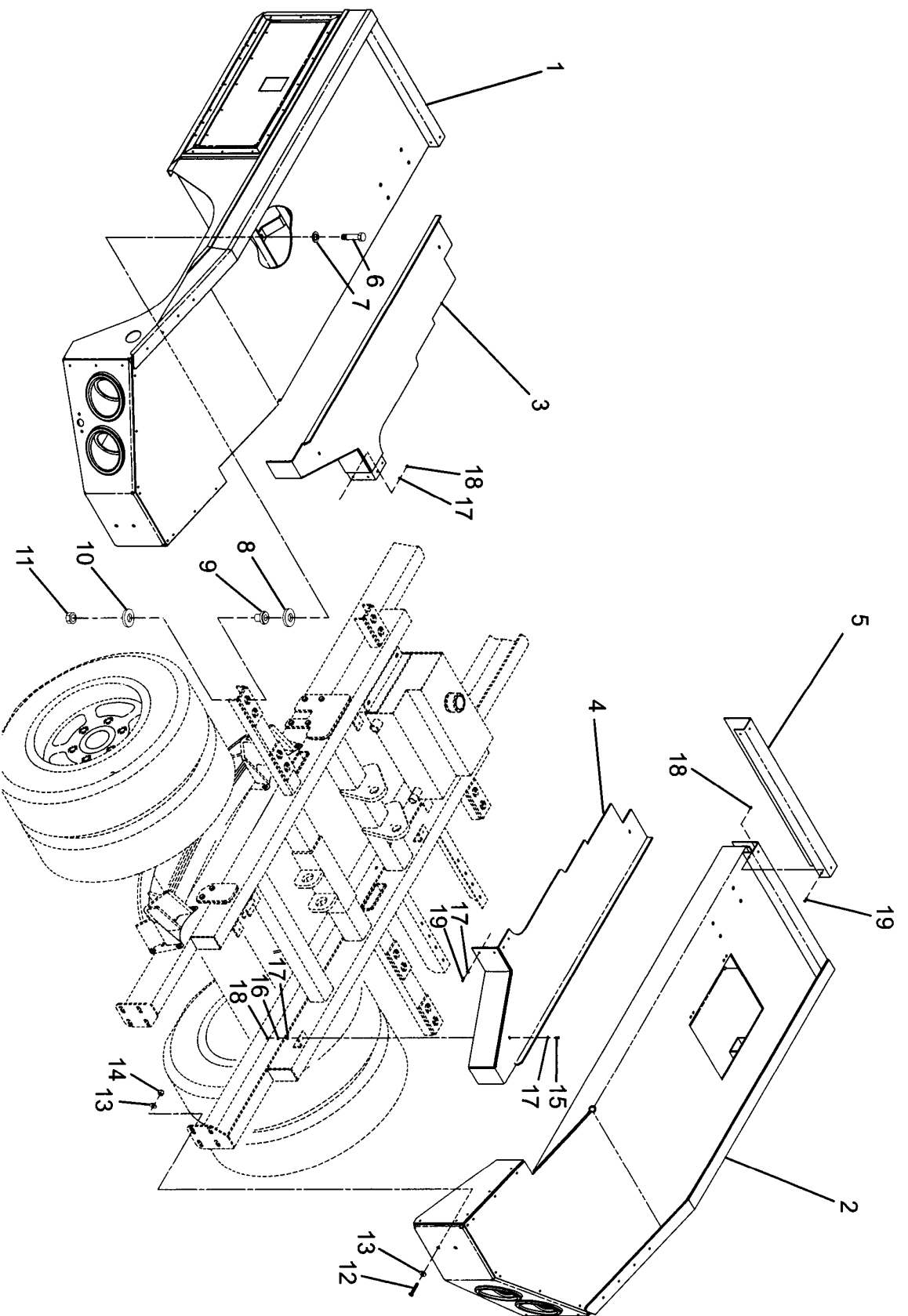
<b>Ref No.</b>	<b>Part No.</b>	<b>Description</b>	<b>Qty.</b>
1	3097000372	Body Assembly L.H.	1
2	3097000375	Body Assembly R.H.	1
3	3706000196	Mid Deck Plate L.H.	1
4	3706000208	Mid Deck Plate R.H.	1
5	4263000503	Channel	1
6	7115202850	Capscrew	6
7	7950200161	Flatwasher	6
8	7949000019	Head Washer	6
9	7636000008	Rubber Mount	6
10	7949000020	Tail Washer	6
11	7660200001	Nut	6
12	7114181218	Capscrew	4
13	7950180161	Flatwasher	8
14	7660182601	Locknut	4
15	7114141018	Capscrew	4
16	7950140003	Lockwasher	4
17	7950140143	Flatwasher	16
18	7660142604	Locknut	12
19	7114140818	Capscrew	8

Rev. \_\_\_\_\_

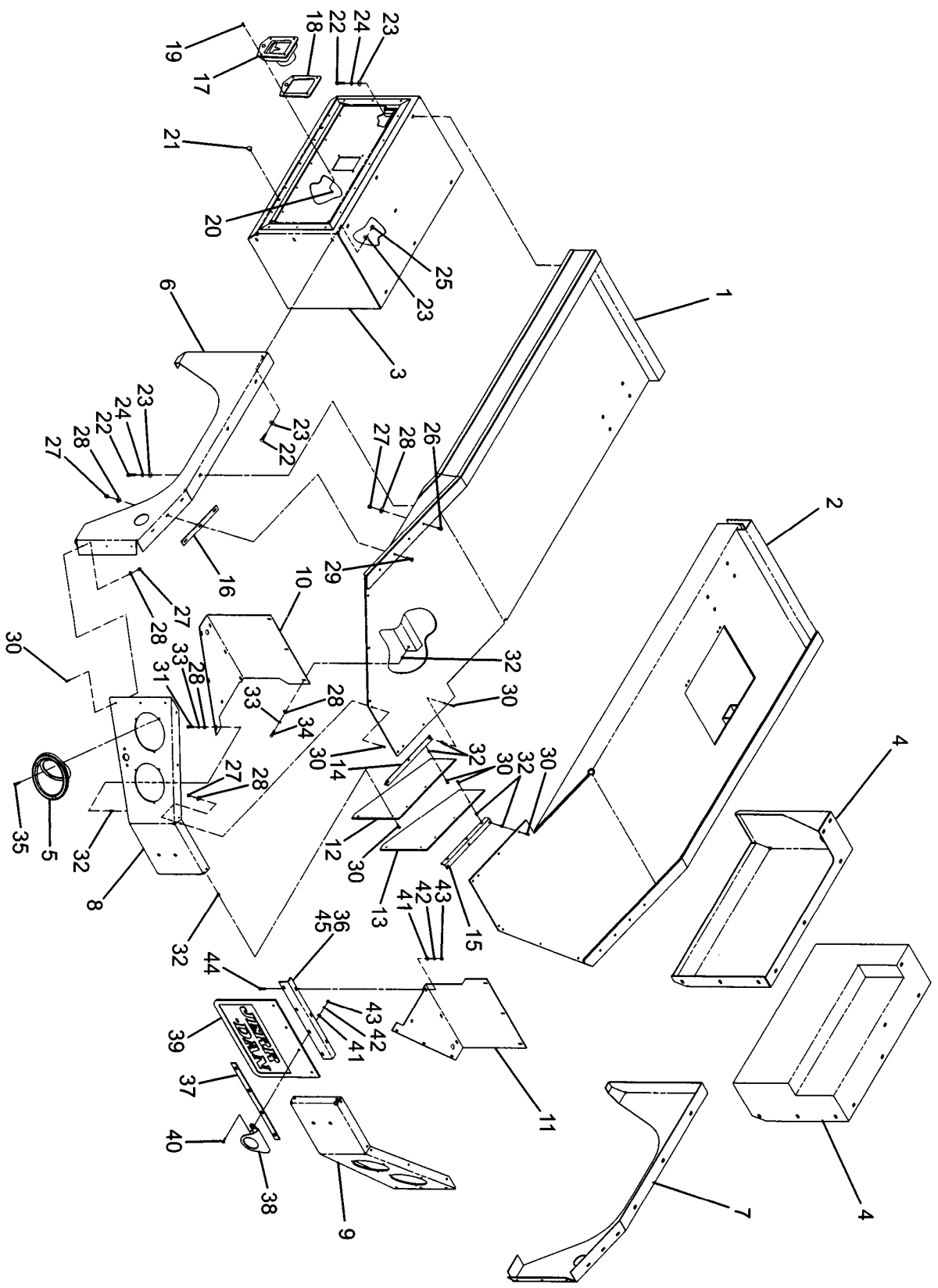
4.26

Date \_\_\_\_\_

**BODY INSTALLATION**



**BODY ASSEMBLY**



**BODY ASSEMBLY**

Ref No.	Part No.	Description	Qty.
1	3097000370	Deck Weldment L.H.	1
2	3097000371	Deck Weldment R.H.	1
3	3899000018	Toolbox L.H.	1
4	3686000004	Body Panel R.H.	1
	3899000092	Toolbox R.H. (Optional)	
5	7259000004	Tail Light Casting	4
6	4706003416	Plate L.H.	1
7	4706003422	Plate R.H.	1
8	3706000216	Tailplate L.H.	1
9	3706000217	Tailplate R.H.	1
10	4706003420	Plate L.H.	1
11	4706003423	Plate R.H.	1
12	4706003417	Plate L.H.	1
13	4706003424	Plate R.H.	1
14	4017001229	Angle L.H.	1
15	4017001257	Angle R.H.	1
16	4062000451	Bar	2
17	7585000012	Latch	1 or 2
18	7796000084	Gasket	1 or 2
19	7114080418	Capscrew	4 or 8
20	7660082500	Locknut	4 or 8
21	7189000007	Rubber Bumper	2 or 4
22	7115161050	Capscrew	22
23	7950160161	Flatwasher	19
24	7950160000	Lockwasher	16
25	7660162601	Locknut	6
26	7114140623	Capscrew	2
27	7660142600	Locknut	28
28	7950140161	Flatwasher	52
29	7114141023	Capscrew	6
30	7114140818	Capscrew	32
31	7111140650	Capscrew	6
32	7413000002	Nutsert	22
33	7950140000	Lockwasher	22
34	7115140850	Capscrew	6
35	7790101611	Screw	12
36	4017000482	Angle R.H.	1
37	4706001123	Plate	2
38	4178000073	Bracket	2
39	7638000003	Mudflap	2
40	7111151010	Machine Screw	8
41	7950150161	Flatwasher	14
42	7950150000	Washer	14
43	7660150000	Nut	14
44	7111150850	Capscrew	6
45	4017000478	Angle L.H.	1

**JERR-DAN**

An Oshkosh Truck Corporation Company

4.29

Rev. \_\_\_\_\_

Date \_\_\_\_\_

**LIGHT PYLON ASSEMBLY AND INSTALLATION**

<b>Ref No.</b>	<b>Part No.</b>	<b>Description</b>	<b>Qty.</b>
1*	3263000100	Channel L.H.	1
2*	3263000101	Channel R.H.	1
3*	4263000513	Channel	1
4*	3263000102	Channel	1
5*	7114160818	Capscrew	12
6*	7660162601	Locknut	12
7*	7493000003	Grommet	2
8*	7493000011	Grommet	1
9	7115181450	Capscrew	4
10	7950180161	Flatwasher	8
11	7949000020	Washer	4
12	7660182601	Locknut	4

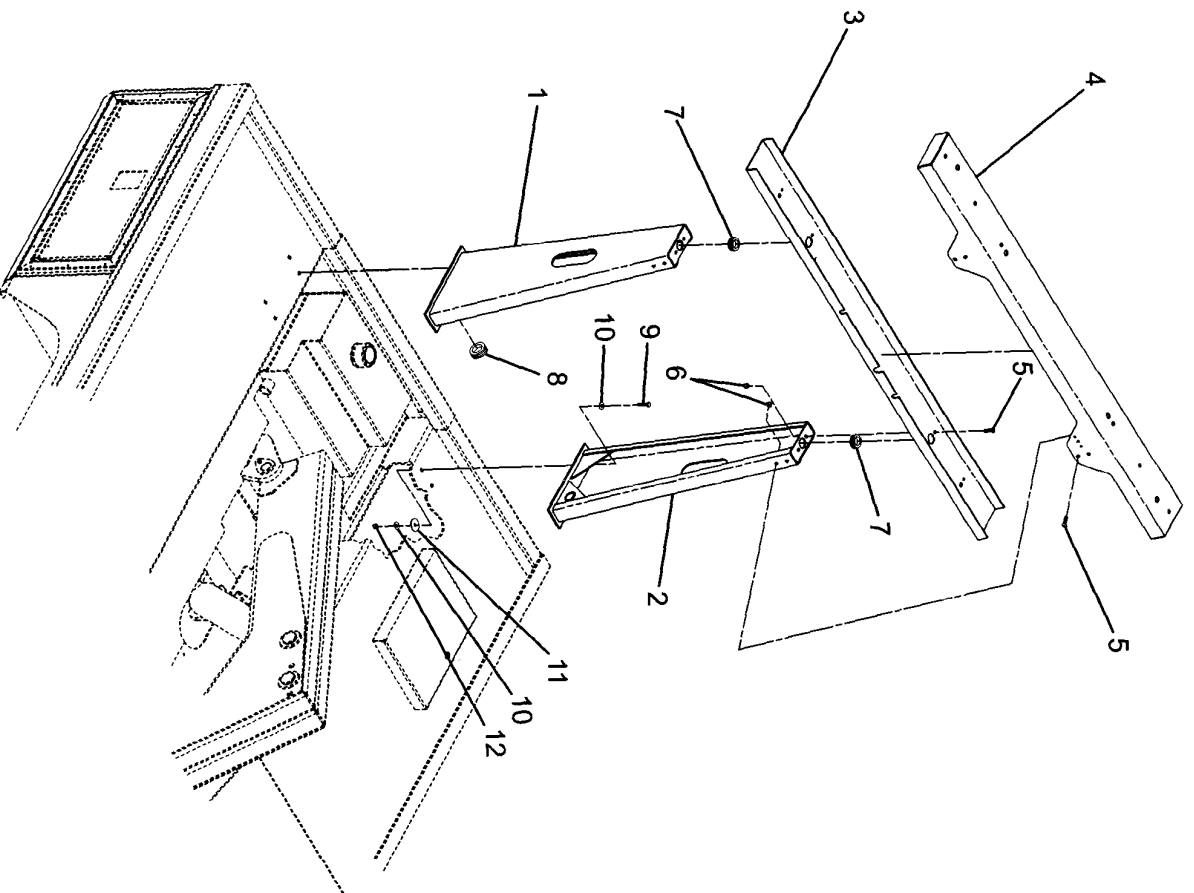
\*Available as Assembly 3502570152

Rev. \_\_\_\_\_

4.30

Date \_\_\_\_\_

# LIGHT PYLON ASSEMBLY AND INSTALLATION

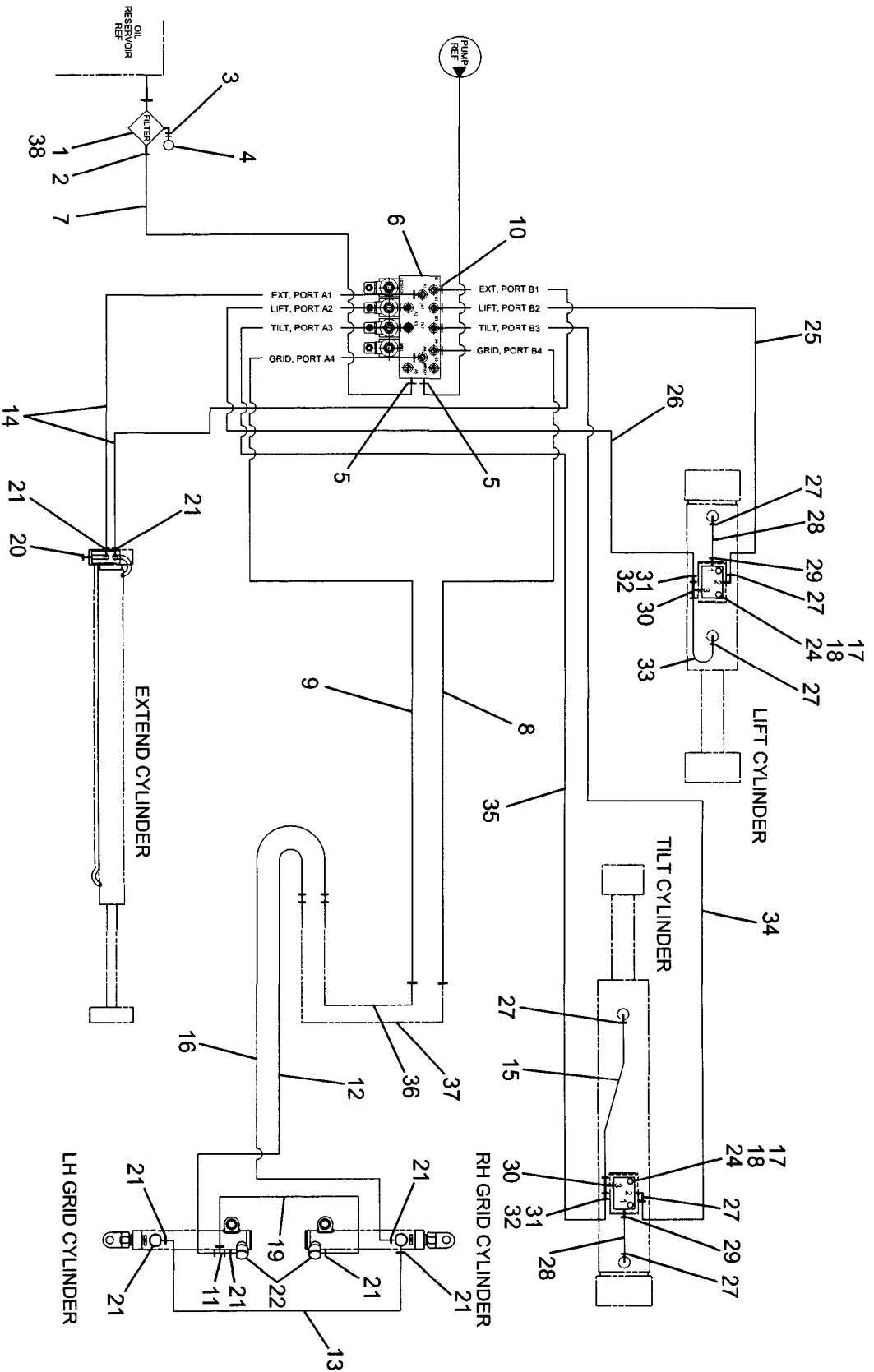


4.31

Rev. \_\_\_\_\_

Date \_\_\_\_\_

**HYDRAULIC SCHEMATIC  
WITHOUT WINCH OPTION  
4 SECTION VALVE**





**HYDRAULIC SCHEMATIC  
WITHOUT WINCH OPTION  
4 SECTION VALVE**

<b>Ref No.</b>	<b>Part No.</b>	<b>Description</b>	<b>Qty.</b>
1	7430000003	Oil Filter Assembly	1
2	7445081619	Adapter	1
3	7443000158	Elbow	1
4	7470000002	Gauge	1
5	7445080843	Adapter	2
6	7935000214	Valve - 4 Section	1
7	4567132060	Hose	1
8	4569100142	Hose	1
9	4569100144	Hose	1
10	7445040643	Adapter	8
11	7443000026	Fitting	1
12	4570000187	Hose	1
13	4570000188	Hose	1
14	4567110143	Hose	2
15	7912000079	Tube Assembly	1
16	4570000186	Hose	1
17	7950150161	Flatwasher	4
18	7660152601	Locknut	4
19	4570000189	Hose	1
20	7443000114	Plug	1
21	7445040443	Adapter	7
22	7443000299	Adapter	3
23	7935000148	Counterbalance Valve	2
24	7114151650	Capscrew	4
25	4567110058	Hose	1
26	4567110061	Hose	1
27	7445060645	Fitting	6
28	7912000078	Tube Assembly	2
29	7445060643	Adapter	2
30	7445060647	Adapter	2
31	7443000105	Adapter	2
32	7443000106	Fitting, Nut	2
33	7912000080	Tube Assembly	1
34	4567110092	Hose	1
35	4567110095	Hose	1
36	7912000147	L.H. Tube Assembly	1
37	7912000148	R.H. Tube Assembly	1
38	7431000001	Filter Element	1

**JERR-DAN**

An Oshkosh Truck Corporation Company

4.33

Rev. \_\_\_\_\_

Date \_\_\_\_\_

**HYDRAULIC SCHEMATIC  
WITH WINCH OPTION  
5 SECTION VALVE**

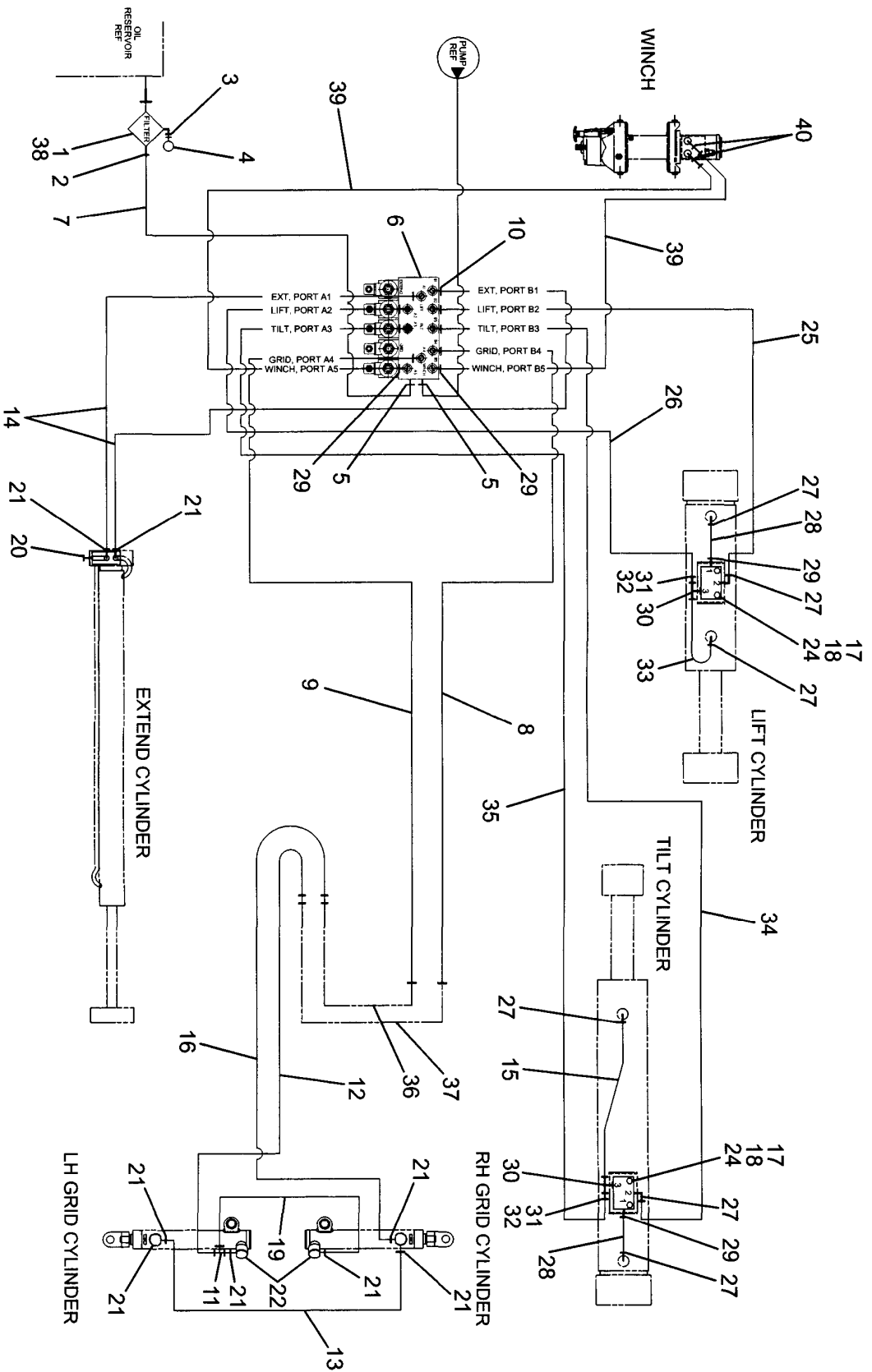
Ref No.	Part No.	Description	Qty.
1	7430000003	Oil Filter Assembly	1
2	7445081619	Adapter	1
3	7443000158	Elbow	1
4	7470000002	Gauge	1
5	7445080843	Adapter	2
6	7935000215	Valve - 5 Section	1
7	4567132060	Hose	1
8	4569100142	Hose	1
9	4569100144	Hose	1
10	7445040643	Adapter	8
11	7443000026	Fitting	1
12	4570000187	Hose	1
13	4570000188	Hose	1
14	4567110143	Hose	2
15	7912000079	Tube Assembly	1
16	4570000186	Hose	1
17	7950150161	Flatwasher	4
18	7660152601	Locknut	4
19	4570000189	Hose	1
20	7443000114	Plug	1
21	7445040443	Adapter	7
22	7443000299	Adapter	3
23	7935000148	Counterbalance Valve	2
24	7114151650	Capscrew	4
25	4567110058	Hose	1
26	4567110061	Hose	1
27	7445060645	Fitting	6
28	7912000078	Tube Assembly	2
29	7445060643	Adapter	4
30	7445060647	Adapter	2
31	7443000105	Adapter	2
32	7443000106	Fitting, Nut	2
33	7912000080	Tube Assembly	1
34	4567110092	Hose	1
35	4567110095	Hose	1
36	7912000147	L.H. Tube Assembly	1
37	7912000148	R.H. Tube Assembly	1
38	7431000001	Filter Element	1
39	4570000191	Hose	2
40	7445081043	Adapter	2

Rev. \_\_\_\_\_

4.34

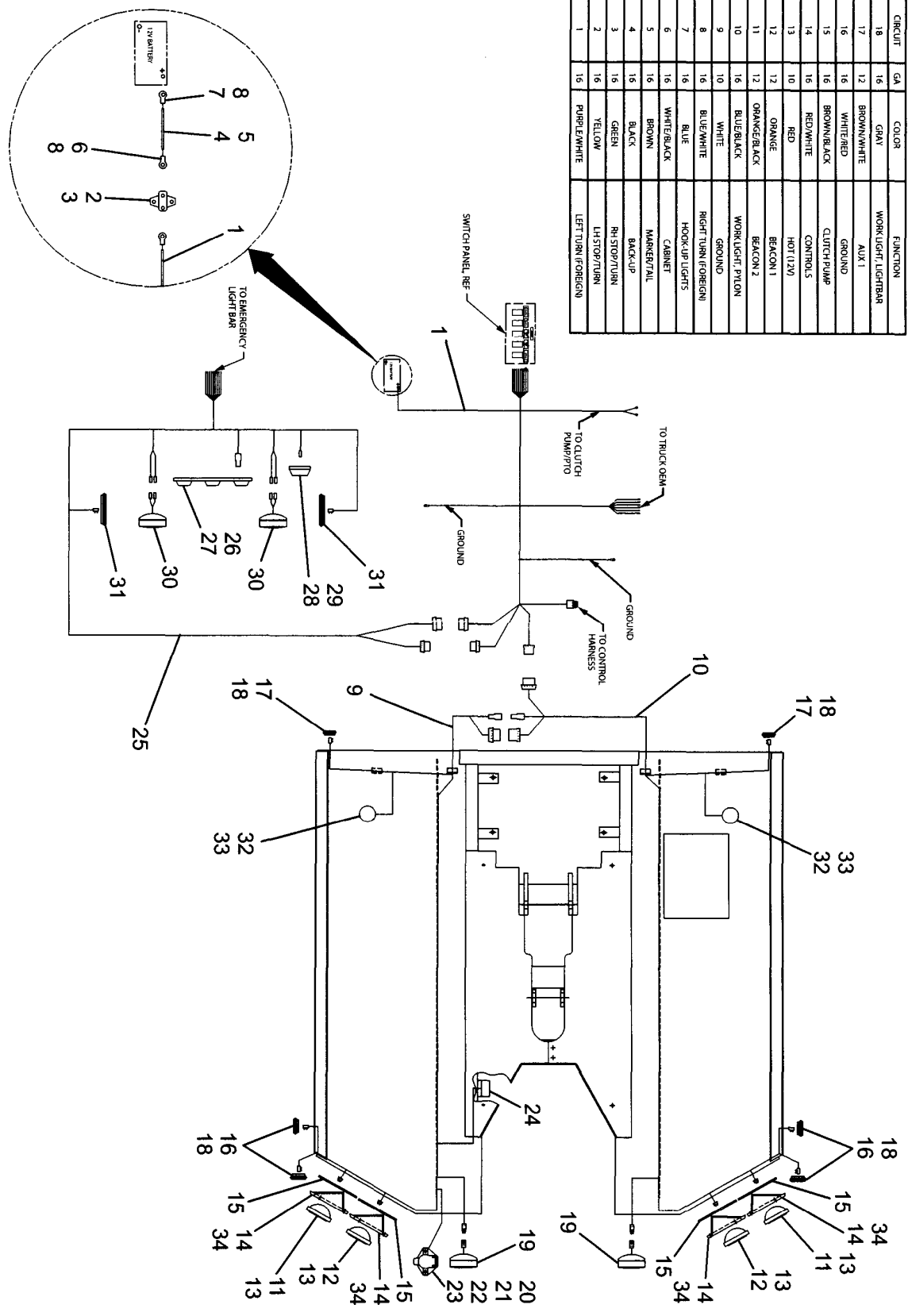
Date \_\_\_\_\_

**HYDRAULIC SCHEMATIC  
WITH WINCH OPTION  
5 SECTION VALVE**



# ELECTRICAL SCHEMATIC - BODY

CIRCUIT	GA	COLOR	FUNCTION
18	16	GRAY	WORK LIGHT, LIGHTBAR
17	12	BROWN/WHITE	AUX. 1
16	16	WHITE/RED	GROUND
15	16	BROWN/BLACK	CLUTCH PUMP
14	16	RED/WHITE	CONTROLS
13	10	RED	HOT (12V)
12	12	ORANGE	BEACON 1
11	12	ORANGE/BLACK	BEACON 2
10	16	BLUE/BLACK	WORKLIGHT Pylon
9	10	WHITE	GROUND
8	16	BLUE/WHITE	RIGHT TURN (FOREIGN)
7	16	BLUE	HOOKUP LIGHTS
6	16	WHITE/BLACK	CABINET
5	16	BROWN	MARINE/TAIL
4	16	BLACK	BACKUP
3	16	GREEN	RH STOP/TURN
2	16	YELLOW	LH STOP/TURN
1	16	PURPLE/WHITE	LEFT TURN (FOREIGN)



---

**ELECTRICAL SCHEMATIC - BODY**

<b>Ref No.</b>	<b>Part No.</b>	<b>Description</b>	<b>Qty.</b>
1	7552000215	Cab-To-Subframe Harness	1
2	7457000004	Circuit Breaker, 50 AMP	1
3	7792000001	Screw	2
4	8977530200	Wire	3 ft
5	8597650002	Wire Loom	3 ft
6	7345211902	Ring Terminal	1
7	7345221902	Ring Terminal	1
8	7346000039	Heat Shrink Tubing	2 ft
9	7552000216	L.H. Body Harness	1
10	7552000217	R.H. Body Harness	1
11	7590000002	Stop, Tail, Turn Light	2
12	7590000003	Back-Up Light	2
13	7493000002	Grommet	4
14	7259000004	Tail Light Casting	4
15	7796000076	Gasket	4
16	7590000047	Red Marker Light	4
17	7590000048	Amber Marker Light	2
18	7493000009	Marker Light Grommet	6
19	7590000185	Work Light	2
20	7291000003	Receptacle	1
21	7111140613	Screw	2
22	7950140000	Lockwasher	2
23	7413000002	Nutsert	2
24	7001000003	Back-Up Alarm	1
25	7552000219	Light Pylon Harness	1
26	7590000193	3 Light ID Lamp	1
27	7790141656	Screw	2
28	7590000105	License Plate Light	1
29	7178000025	License Plate Bracket	1
30	7590000144	Work Light (Optional)	2
31	7590000095	Marker Light w/ Grommet (Opt.)	2
32	7590000001	Interior Light (Optional)	2
33	7790100856	Screw	6
34	7790101611	Screw	12

---

**ELECTRICAL SCHEMATIC - CONTROLS**

<b>Ref No.</b>	<b>Part No.</b>	<b>Description</b>	<b>Qty.</b>
1	7552000218	Remote Control Harness	1
2	7295000061	Hand Controller	1
3	4706003402	Plate	1 or 2
4	7790100856	Screw	3 or 6
5	7740000003	Relay	1
6	7345001710	Tab Terminal	2
7	7345001714	Connector	1
8	7345221702	Ring Terminal	1
9	7346000039	Heat Shrink Tubing	1
10	8977500100	Wire	3 ft
11	8597650002	Wire Loom	3 ft
12	7870000092	Toggle Switch	1
13	7560000004	Toggle Switch Boot	1
14	7552000224	Rear Remote Control Harness (Optional)	1

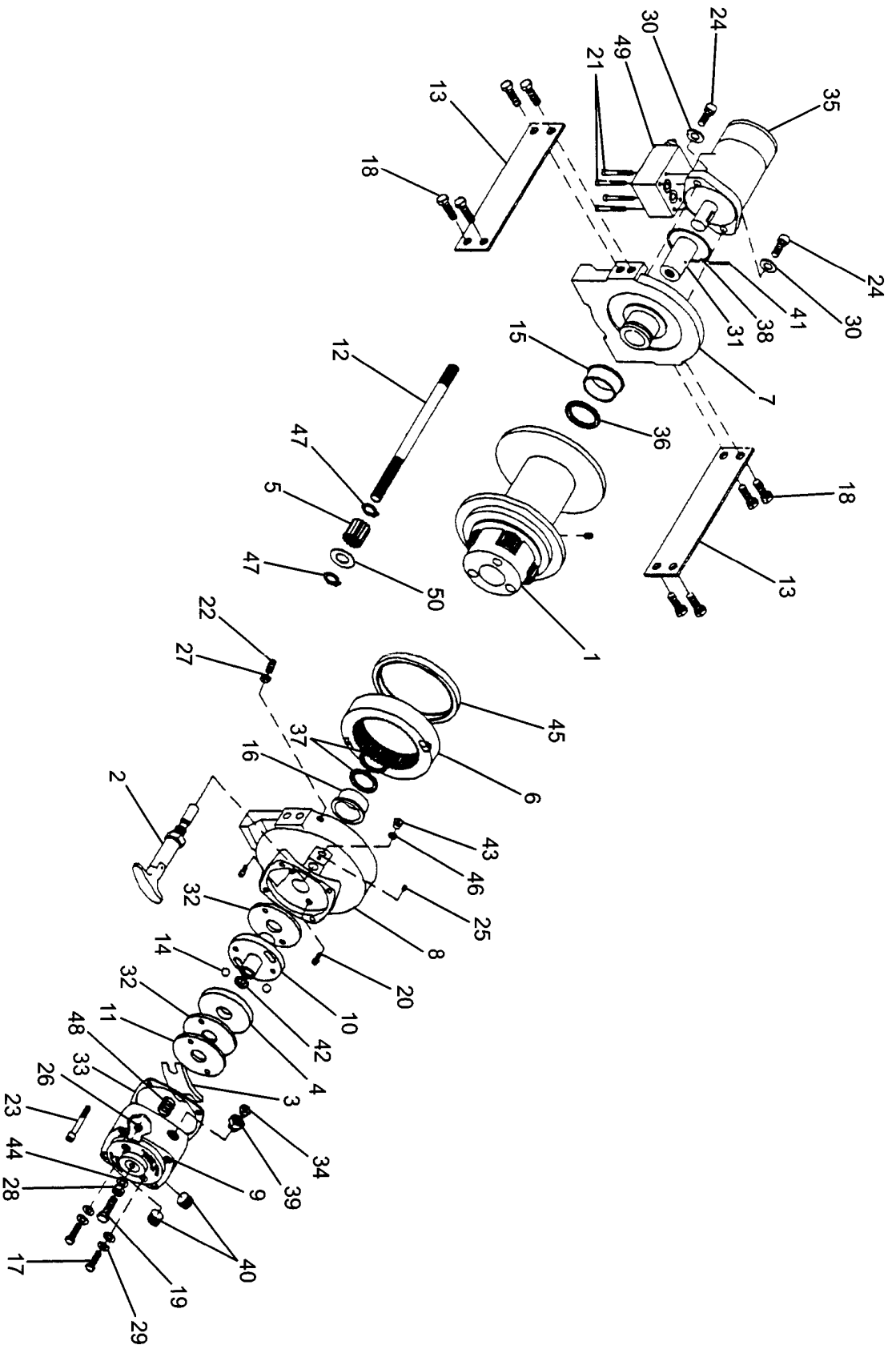
Rev. \_\_\_\_\_

4.38

Date \_\_\_\_\_



RPH8000 8000LB WINCH





RPH8000 800LB WINCH

Ref No.	Part No.	Description	Qty.
1	9970280019	"Y" Drum Assembly	1
2	9970280018	"STD" Drum Assembly	1
3	9551960018	Shifter Assembly	1
4	9843960027	Brake Flat Spring	1
4	9250960002	Cam Brake Plate	1
5	9472960042	Sun Output Gear	1
6	9472960043	Ring Gear	1
7	9082960016	End Motor Bearing	1
8	9560960013	End Bearing Gear Housing	1
9	9180960009	Brake Hub	1
10	9560960012	Brake Housing	1
11	9706960028	Retainer Plate	1
12	9806960017	"Y" Input Shaft	1
13	9806960016	"STD" Input Shaft	1
14	9706960030	"Y" Tie Plate	2
15	9706960031	"STD" Tie Plate	2
16	9970400007	Ball	2
17	9209960022	Motor End Drum Bushing	1
18	9209960023	Gear Drum Bushing	1
19	9120960021	Bolt	2
19	9120960025	Capcrew	8
20	9120960023	Bolt	1
21	9120960018	Capcrew	2
22	9786960006	Screw	4
23	9120960026	Capcrew	4
24	9120960024	Capcrew	4
25	7785140404	Capcrew	1
26	7660160001	Setcrew	2
27	7660160201	Nut	2
28	7660180201	Nut	1
29	9970418184	Washer	4
30	9949960016	Lockwasher	2
31	9309960009	Hydraulic Motor Coupling	2
32	9706960029	Brake Plate	1
33	9796960047	Brake Housing Gasket	1
34	9970456008	Relief Fitting	1
35	9626960012	Hydraulic Motor	1
36	9796960050	O-Ring	1
37	9796960048	Ring Quad	2
38	9796960051	O-Ring	1
39	9970468002	Reducer	1
40	9701960015	Pipe Plug	2
41	9691960001	Spiral Pin	1
42	9701960014	Plug	1
43	9701960016	Plug	1
44	9796960097	Seal	1
45	9796960049	Gear Housing Seal	1
46	9812960005	Shim	1
47	9754960039	Snap Ring	2
48	9970494010	Spring	1
49	9935960023	Counterbalance Valve	1
50	9949960017	Thrust Washer	1

An Oshkosh Truck Corporation Company



4.41

Date

Rev.