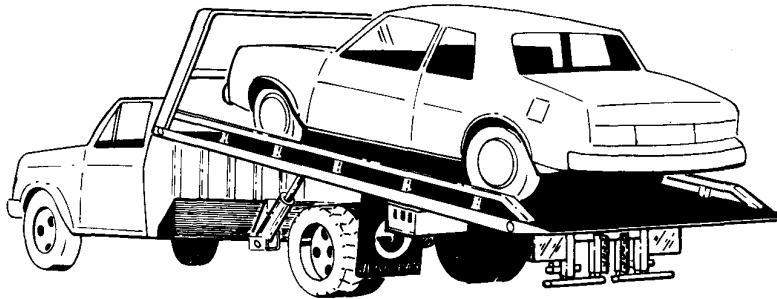




MEDIUM DUTY
WRANGLER/TRANSPORTER
SERIES

**OPERATION, MAINTENANCE,
AND PARTS MANUAL**



OPTIONS WHEEL LIFT TOW BAR
STD TOW BAR
IRL (FOR STD OR WHEEL LIFT TOW BAR)
REAR DOCK STABILIZER

**JERR-DAN
CORP.**

1080 Hykes Road
Greencastle, PA 17225 Phone (717) 597-7111

PARTS LIST – FINAL ASSEMBLY BASIC UNIT

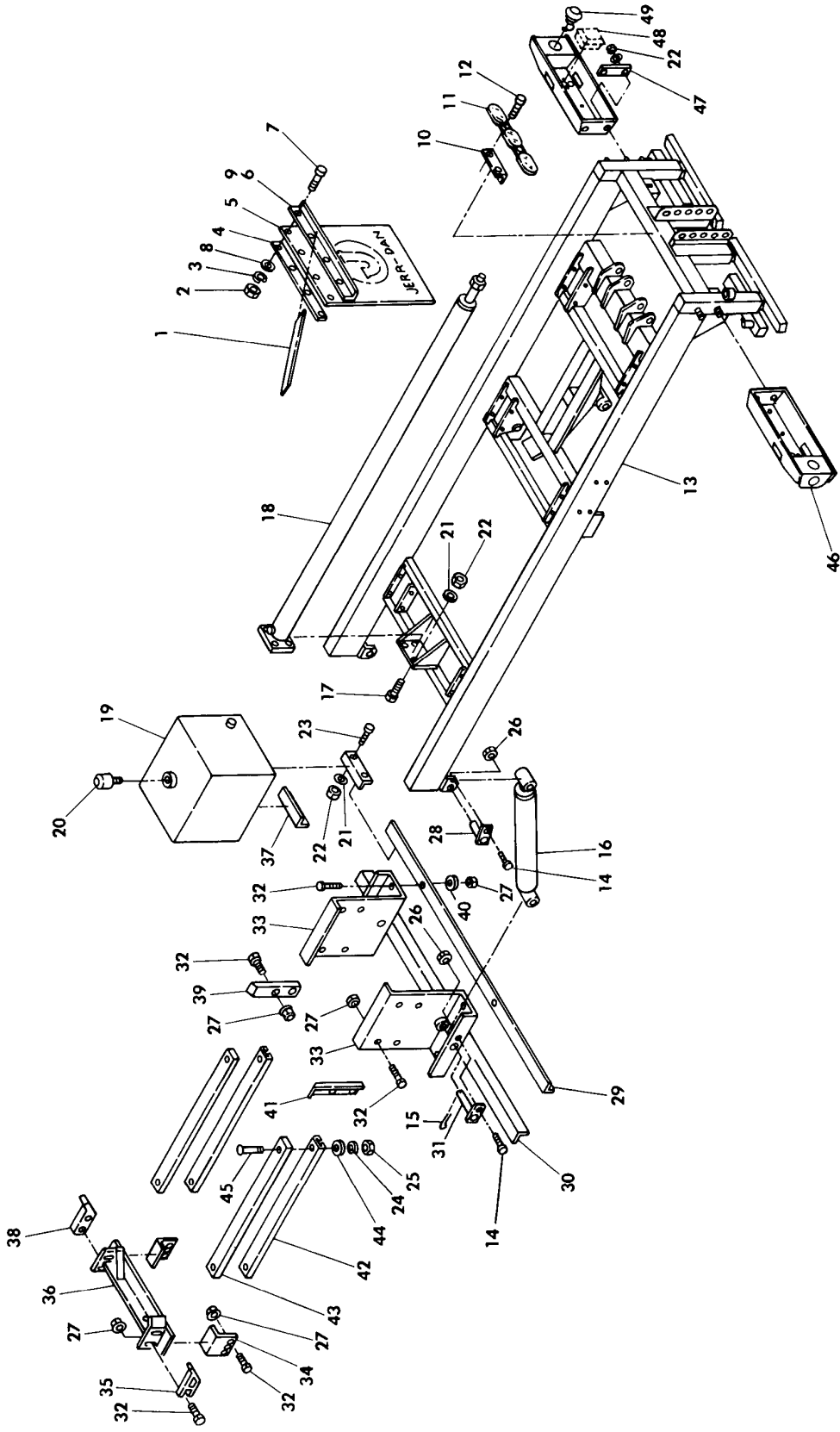
Ref. No.	Part No.	Description	Qty.
1	A4-525-000085	Brace	2
2	7-660-150000	Hex Nut	8
3	7-950-150000	Lockwasher	8
4	B4-706-000112	Back-up Strip	2
5	D7-638-000011	Mud Flap	2
6	B4-017-000064	Right Mud Flap Angle	1
7	7-111-150813	Truss Head Screw	8
8	7-950-150161	Flatwasher	8
9	B4-017-000065	Left Mud Flap Angle	1
10	A4-533-1-00080	Light Bar Angle	1
11	A7-590-000007	Light Bar	1
12	7-790-141056	Self Tapping Screw	2
13	D3-533-700020	Subframe (STD)	1
14	7-111-160850	Hex Head Bolt	4
15	7-690-144010	Cotter Pin	4
16	C1-700-100024	Tilt Cylinder	2
17	7-115-181450	Hex Head Bolt	4
18	C3-320-000015 (8' Stroke)	Rollback Cylinder	1
	C3-320-000026 (9' Stroke)	Rollback Cylinder	1
	C3-320-000035 (10' Stroke)	Rollback Cylinder	1
19	C3-750-000002	Oil Reservoir	1
20	B7-183-000002	Breather	1
21	7-950-180000	Lockwasher	8
22	7-660-180000	Hex Nut	8
23	7-111-181050	Hex Head Bolt	4
24	7-950-160000	Lockwasher	4
25	7-660-160000	Hex Nut	4
26	7-660-162300	Flanged Locknut	4
27	7-660-182333	Flanged Locknut	4
28	3-691-000070	Upper Tilt Cylinder Pin	2
29	B4-017-000235	R.H. Saddle Angle	1
30	B4-017-000234	L.H. Saddle Angle	1
31	3-691-000069	Lower Tilt Cylinder Pin	1
32	7-105-181450	Hex Head Bolt	26
33	C3-178-000109	Saddle	2
34	B4-534-000401	Mounting Angle	2
35	B7-258-000003	Hold-Down Block, L.H.	1
36	C2-533-100045	Hold-Down Base	1
37	B4-017-000063	Mounting Angle	2
38	B7-258-000002	Hold-Down Block, R.H.	1
39	A2-526-000175	Body Stay, R.H.	1
40	7-950-180153	Harden Washer	4
41	A2-526-000176	Body Stay, L.H.	1
42	4-533-1-00120	C-Channel (20' Deck)	2
	4-533-1-00137	C-Channel (22' Deck)	2
43	4-679-000021	Wood Block (20' Deck)	2
	4-679-000022	Wood Block (22' Deck)	2
44	7-950-160161	Flatwasher	4
45	7-111-163264	Carriage Bolt	4
46	D4-811-000003	Light Box	2
47	A4-706-000243	Plate	2
48		Stop, Tail, Turn Light	2
49	7-590-000009	Red Light	2

Rev. _____

4.1

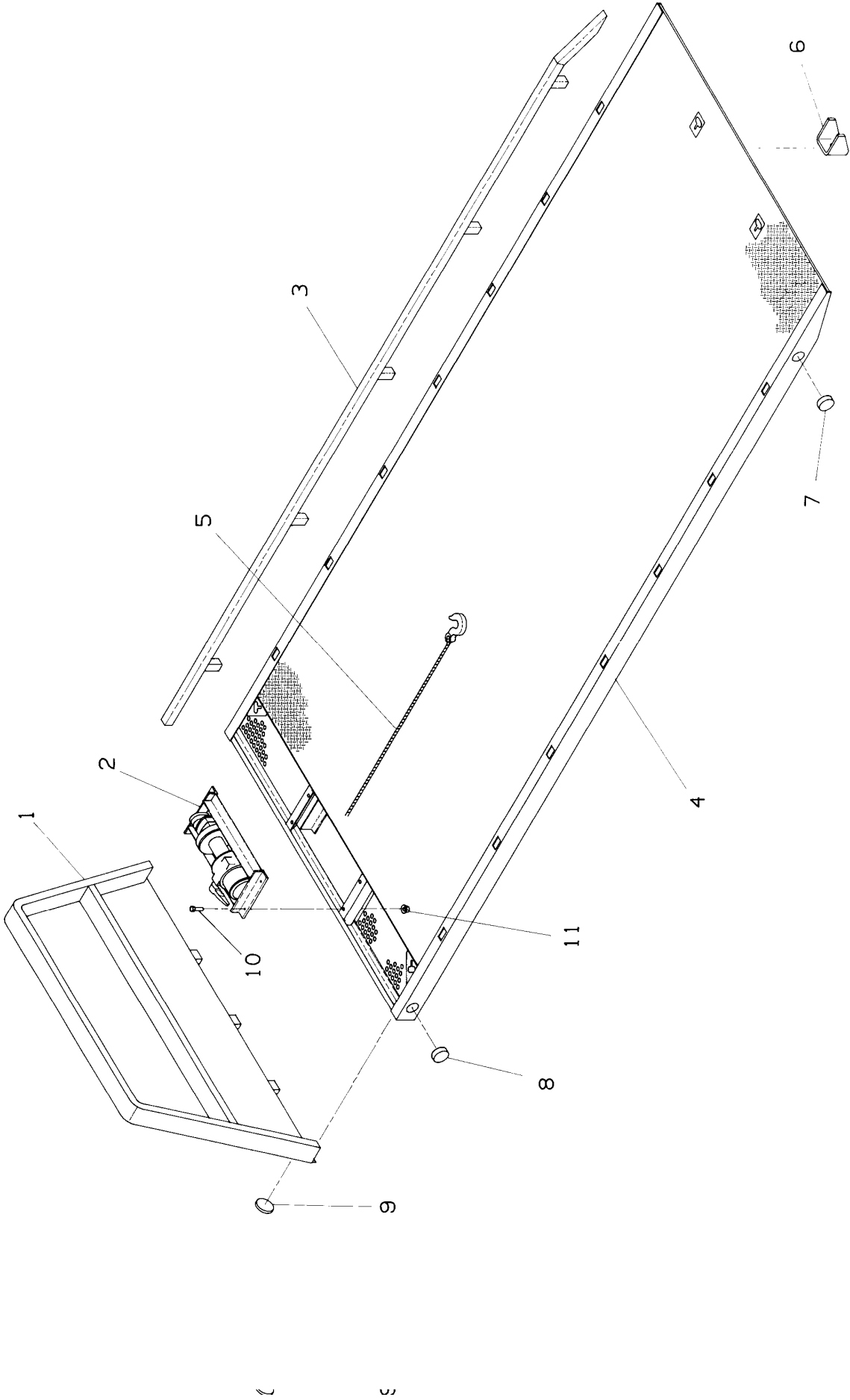
Date _____

FINAL ASSEMBLY BASIC UNIT



Rev. _____
Date _____

DECK



Rev. _____
Date _____

PARTS LIST – DECK

Ref. No.	Part No.	Description	Qty.
1	D3-241-000013	Cab Protector	1
2	C7-970-000016	Winch Assembly	1
3	2-534-0-00076	Raised Rails (20' Deck)*	1pr.
	2-534-0-00077	Raised Rails (22' Deck)*	1pr.
4	**	Deck	
5	A7-248-000001	Winch Cable	1
6	B4-178-000120	Rod Mounting Bracket	1
7	7-590-000009	Red Light	2
8	7-590-000010	Amber Light	2
9	5-531-000023	Amber Reflector	2
10	7-115-181450	Hex Cap Screw	4
11	7-660-182301	Flanged Locknut	4

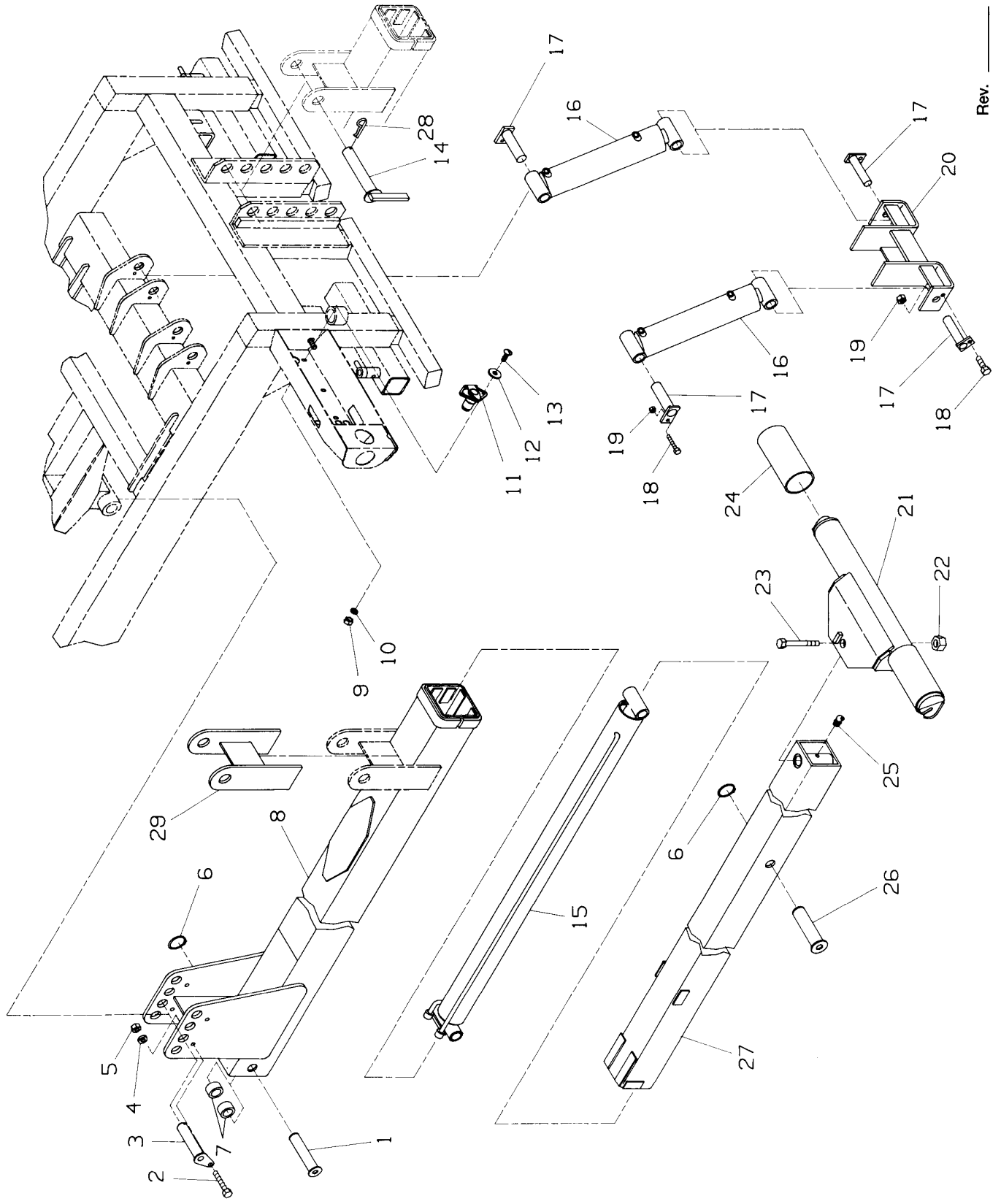
* Not supplied on Transporter Series.

** See body serial number plate or sales order for proper identification.

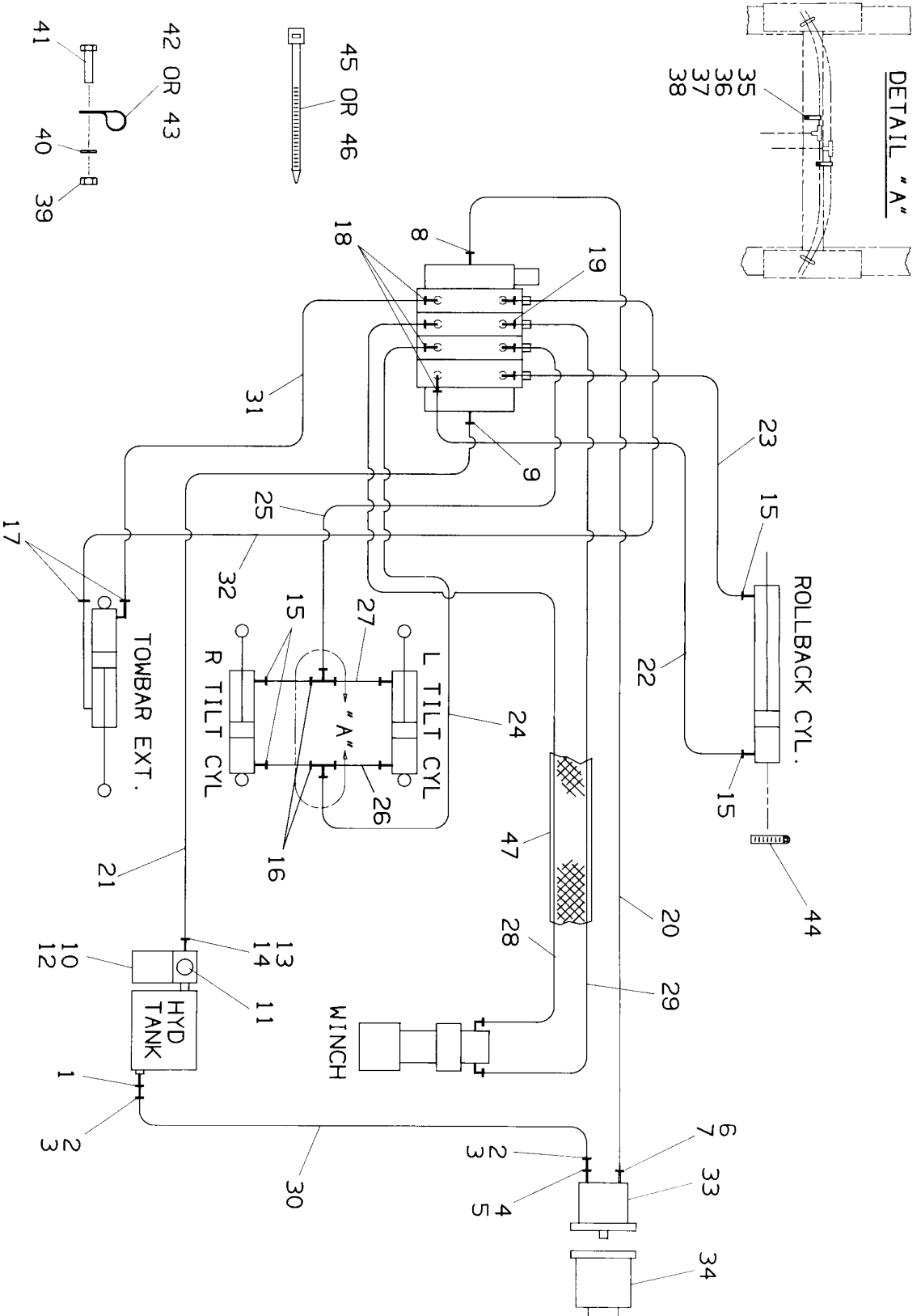
PARTS LIST — HYDRAULIC TOWBAR WITH AND WITHOUT IRL

Ref. No.	Part No.	Description	Qty.
1	A3-691-000042	Cylinder Pin	1
2	7-118-151250	Hex Head Cap Screw	1
3	3-691-000074	Tow Bar Attaching Pin	1
4	7-950-150161	Flatwasher	1
5	7-660-152600	Locknut	1
6	A7-754-000006	Retaining Ring	2
7	A4-209-000020	Spacer	2
8	D3-170-000029	Outer Tube	1
		(Low Profile Chassis)	
	D3-170-000023	Outer Tube	1
9	7-660-140000	Hex Nut	2
10	7-950-140000	Lockwasher	2
11	A7-291-000003	Receptacle	1
12	7-950-140161	Flatwasher	2
13	7-111-140613	Truss Head Screw	2
14	A3-691-000067	Pin	1
15	C3-320-000020	Tow Bar Cylinder	1
16	C3-320-000036	Cylinder Assembly	2
		(Low Profile Chassis)	
	C3-320-000037	Cylinder Assembly	2
17	3-691-000073	Cylinder Pin	4
18	7-115-160850	Hex Head Cap Screw	4
19	7-660-162301	Locknut	4
20	C3-178-000015	Bracket	1
21	C3-556-000015	Tow Hitch	1
22	7-660-261638	Locknut	1
23	A3-691-000016	Hitch Pin	1
24	A7-912-000011	Rubber Tube	2
25	7-440-000000	Grease Fitting	1
26	A3-691-000011	Cylinder Cross Pin	1
27	C3-170-000015	Inner Tube	1
28	A7-691-000001	Hair Pin	1
29	A3-606-000013	Lug Weldment	1
		(Low Profile Chassis)	
	A3-606-000012	Lug Weldment	1

HYDRAULIC TOW BAR WITH AND WITHOUT IRL



HYDRAULIC COMPONENTS



PARTS LIST – HYDRAULIC COMPONENTS

Ref. No.	Part No.	Description	Qty.
1	7-444-101090	Street Elbow	1
2	A7-443-000013	Nipple	2
3	A7-274-000002	Hose Clamp	2
4	7-444-081040	Reducer	1
5	7-650-080120	Nipple	1
6	7-444-080450	Reducer	1
7	7-445-080829	45° Elbow	1
8	7-445-081243	Str. Adapter	1
9	7-445-121243	Str. Adapter	1
10	A7-430-000003	Filter Assembly	1
11	A7-470-000002	Gauge	1
12	A7-431-000001	Filter Element	1
13	7-445-121220	90° Elbow	1
14	7-444-080654	Reducer	1
15	7-445-060620	90° Elbow	6
16	7-445-060637	Tee	2
17	7-445-060643	Str. Adapter	2
18	7-445-061043	Str. Adapter	6
19	7-445-081043	Str. Adapter	4
20	As Required	Pressure Hose	1
21	4-567-162156	Return Hose	1
22	4-567-122096	Roll-Base Hose	1
23	4-567-123060	Roll-Rod Hose	1
24	4-567-122144	Tilt Supply	1
25	4-567-123144	Tilt Supply	1
26	4-567-120038	Tilt Base	2
27	4-567-120040	Tilt Rod	2
28	As Required	Winch Hose	1
29	As Required	Winch Hose	1
30	A4-570-000014	Suction Hose	1
31	4-567-122054	Tow Bar Base Hose	1
32	4-567-123054	Tow Bar Rod Hose	1
33	A7-724-000002	Hyd. Pump	1
34	As Required	P.T.O.	1
35	B4-274-000001	Hose Clamp	1
36	7-111-161050	Hex Head Bolt	1
37	7-660-160000	Hex Nut	1
38	7-950-160000	Lockwasher	1
39	7-660-140000	Hex Nut	15
40	7-950-140000	Lockwasher	15
41	7-111-140850	Hex Head Bolt	15
42	A7-274-000008	Small Loop Clamp	10
43	A7-274-000003	Large Loop Clamp	5
44	A7-274-000011	Hose Clamp	3
45	A7-894-000003	Long Tie Strap	15
46	A7-894-000004	Short Tie Strap	15
47	A4-570-000022	Fire Hose	1
48	B4-525-000218	Hose Clamp (Not Shown)	5

Rev. _____

4.8

Date _____

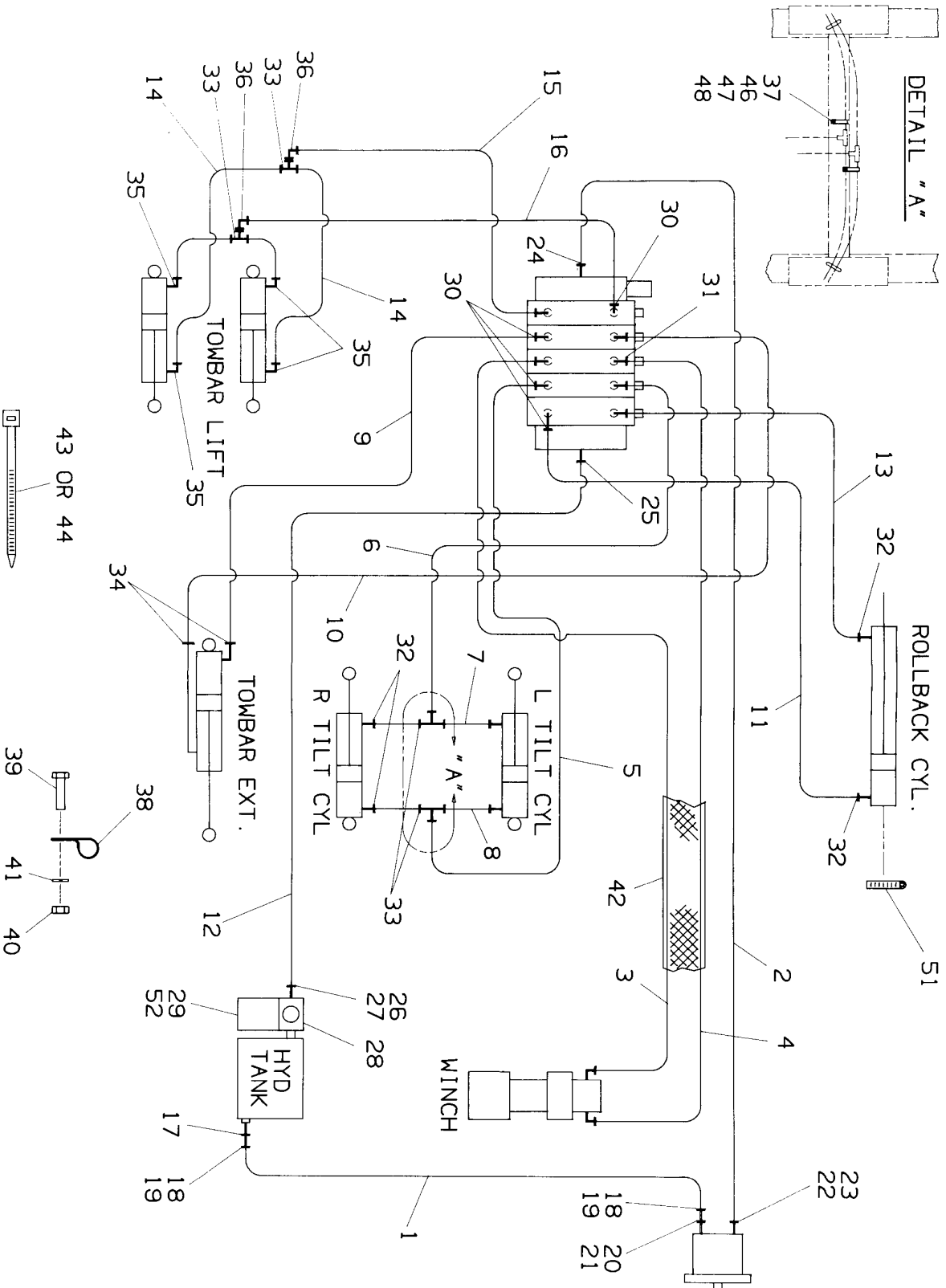
PARTS LIST — HYDRAULIC COMPONENTS WITH IRL TOW BAR

Ref. No.	Part No.	Description	Qty.
1	A4-570-000014	Suction Hose	1
2	As Required	Pressure Hose	1
3	As Required	Winch Hose	1
4	As Required	Winch Hose	1
5	4-567-122144	Tilt Supply Hose	1
6	4-567-123144	Tilt Supply Hose	1
7	4-567-120040	Tilt Rod Hose	2
8	4-567-120038	Tilt Base Hose	2
9	4-567-122054	Tow Bar Base Hose	1
10	4-567-123054	Tow Bar Rod Hose	1
11	4-567-122096	Roll Rod Hose	1
12	4-567-162156	Return Hose	1
13	4-567-123060	Roll Base Hose	1
14	4-567-122034	Tow Bar Lift Hose	4
15	4-567-122054	Tow Bar Lift Supply Hose	1
16	4-567-123054	Tow Bar Lift Supply Hose	1
17	7-444-101090	Street Elbow	1
18	A7-274-000002	Hose Clamp	2
19	A7-443-000013	Nipple	2
20	7-444-081040	Reducer	1
21	7-650-080120	Nipple	1
22	7-444-080450	Reducer	1
23	7-445-080829	45° Elbow	1
24	7-445-081243	Str Adapter	1
25	7-445-121243	Str Adapter	1
26	7-444-080654	Reducer	1
27	7-445-121220	90° Elbow	1
28	A7-430-000003	Filter Assembly	1
29	A7-470-000002	Gauge	1
30	7-445-061043	Str Adapter	8
31	7-445-081043	Str Adapter	2
32	7-445-060620	90° Elbow	6
33	7-445-060637	Tee	4
34	7-445-060643	Str Adapter	2
35	7-445-060645	90° Elbow	5
36	7-445-060672	90° Elbow	2
37	A7-274-000003	Hose Loop	7
38	A7-274-000008	Hose Clamp	10
39	7-111-140850	Bolt	15
40	7-660-140000	Nut	15
41	7-950-140000	Lockwasher	15
42	A4-570-000022	Fire Hose	1
43	A7-894-000003	Tie Strap	15
44	A7-894-000004	Tie Strap	15
45	B4-525-000218	Hose Clamp (Not Shown)	5
46	7-111-140850	Hex Head Bolt	2
47	7-660-140000	Nut	2
48	7-950-140000	Lockwasher	2
49	7-111-140950	Hex Head Bolt (Not Shown)	2
50	A4-706-000549	Plate (Not Shown)	1
51	A7-274-000011	Hose Clamp	3
52	A7-431-000001	Filter Element	1

Rev. _____

Date _____

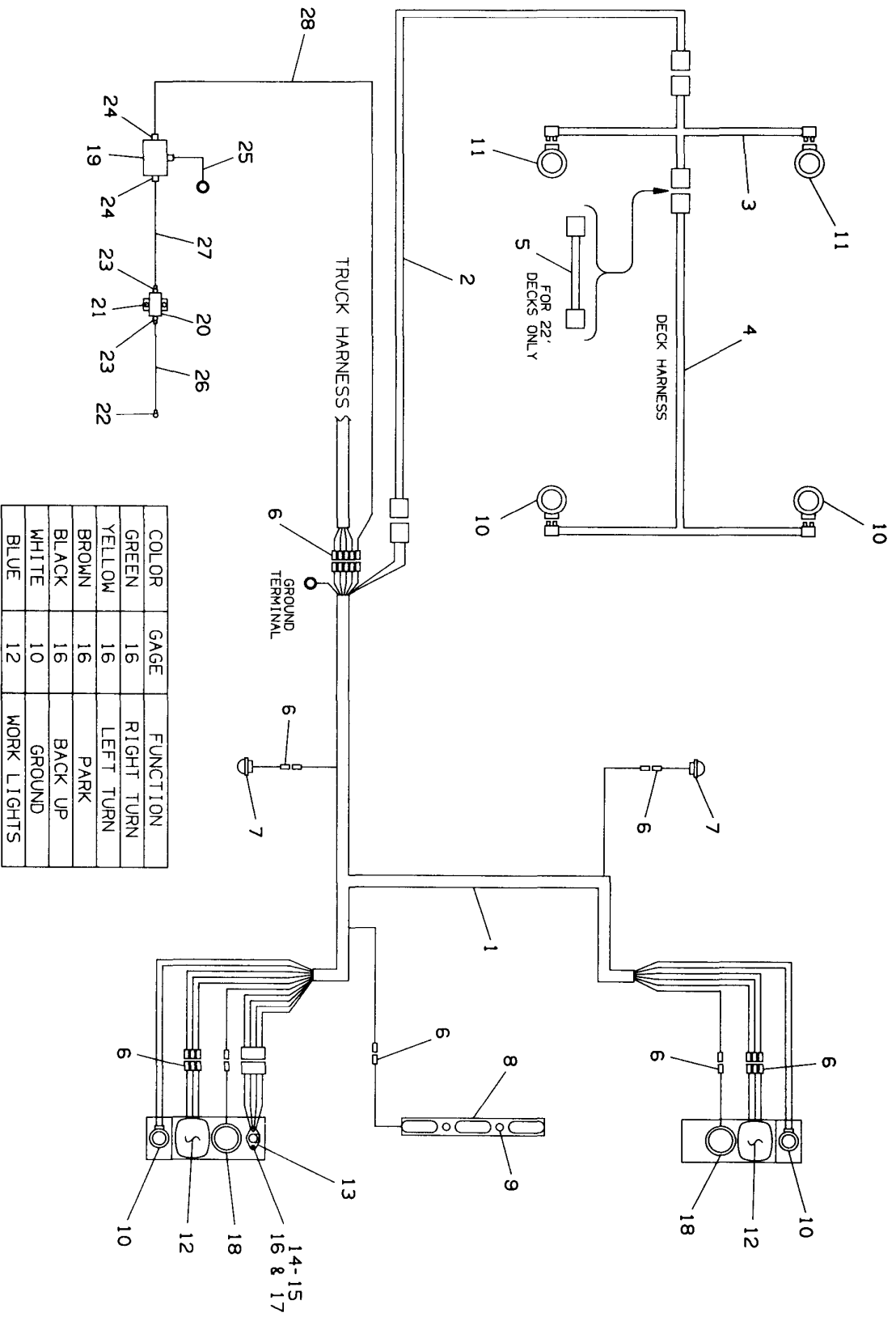
HYDRAULIC COMPONENTS WITH IRL TOW BAR



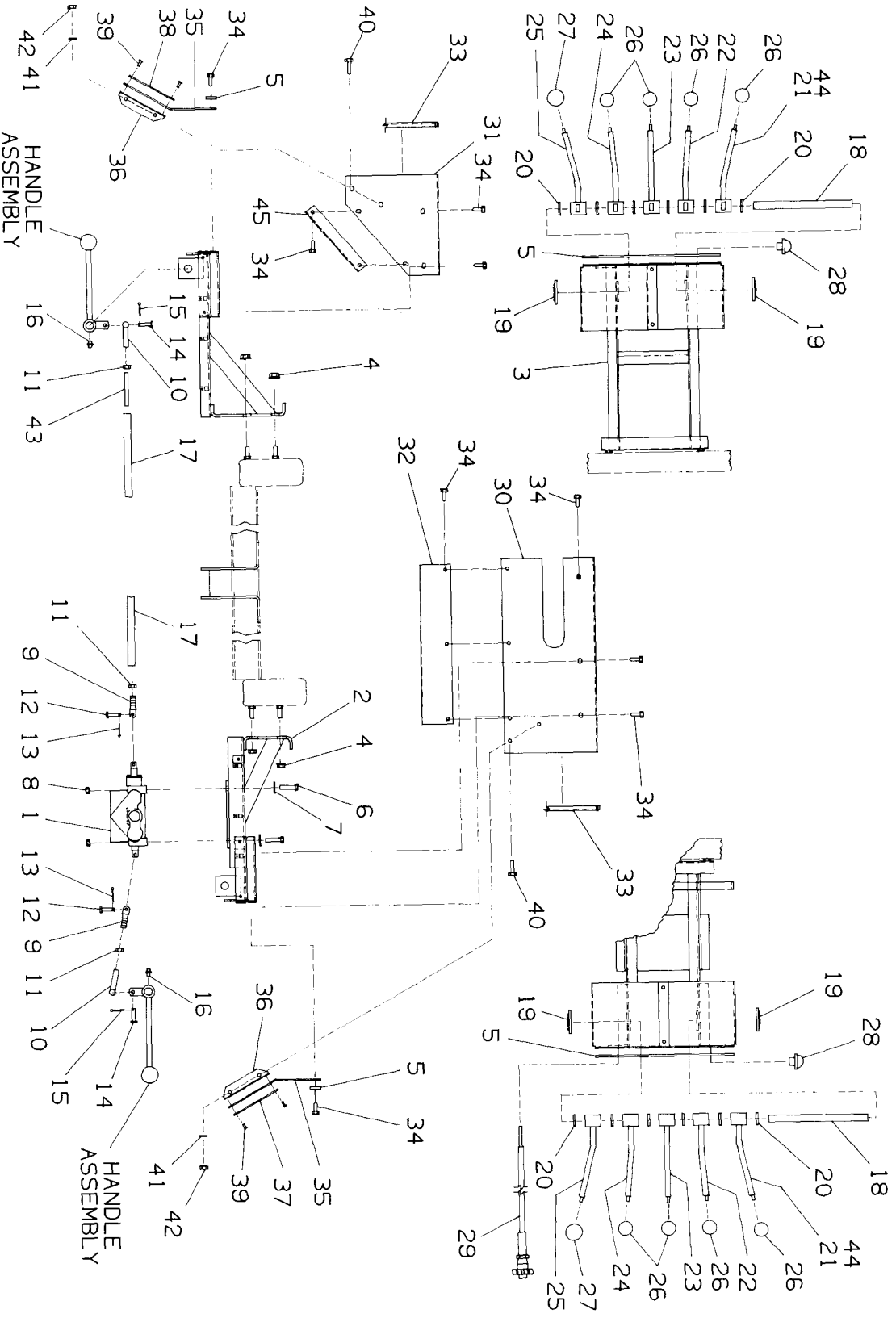
PARTS LIST — LIGHTS AND WIRING

Ref. No.	Part No.	Description	Qty.
1	D7-552-000020	Wiring Harness-Subframe	1
2	B7-552-000024	Wiring Harness-Sub to Deck	1
3	B7-552-000021	Wiring Harness-Front Deck	1
4	B7-552-000022	Wiring Harness-Rear Deck	1
5	B7-552-000023	Wiring Harness-Extension (For 22' Decks Only)	1
6	7-345-001703	Terminal Pin	16
7	A7-590-000012	Light	2
8	A7-590-000007	Bar Lamp	1
9	7-790-141056	Self Tapping Screw	2
10	7-590-000009	Red Light	4
11	7-590-000010	Amber Light	2
12		Stop-Tail-Turn Light	2
13	A7-291-000003	Female Receptacle	1
14	7-111-140613	Truss Head Screw	2
15	7-660-140000	Nut	2
16	7-950-140000	Lockwasher	2
17	7-950-140161	Flatwasher	2
18	A7-590-000011	Work Lights	2
19	A7-870-000003	Auxiliary Switch	1
20	A7-457-000004	Circuit Breaker	1
21	7-790-100856	Screw	2
22	7-345-231901	Terminal	1
23	7-345-211901	Terminal	2
24	7-345-001909	Female Tab	2
25	A3-978-000006	Wire Assembly	1
26	Length as Req'd.	10 Ga. Wire	1
27	Length as Req'd.	10 Ga. Wire	1
28	Length as Req'd.	10 Ga. Wire	1

LIGHTS AND WIRING



DUAL CONTROLS



E

5-375-000047-REV-0

4.13

Rev. _____
Date _____

PARTS LIST — DUAL CONTROLS (5 BANK VALVE SHOWN)

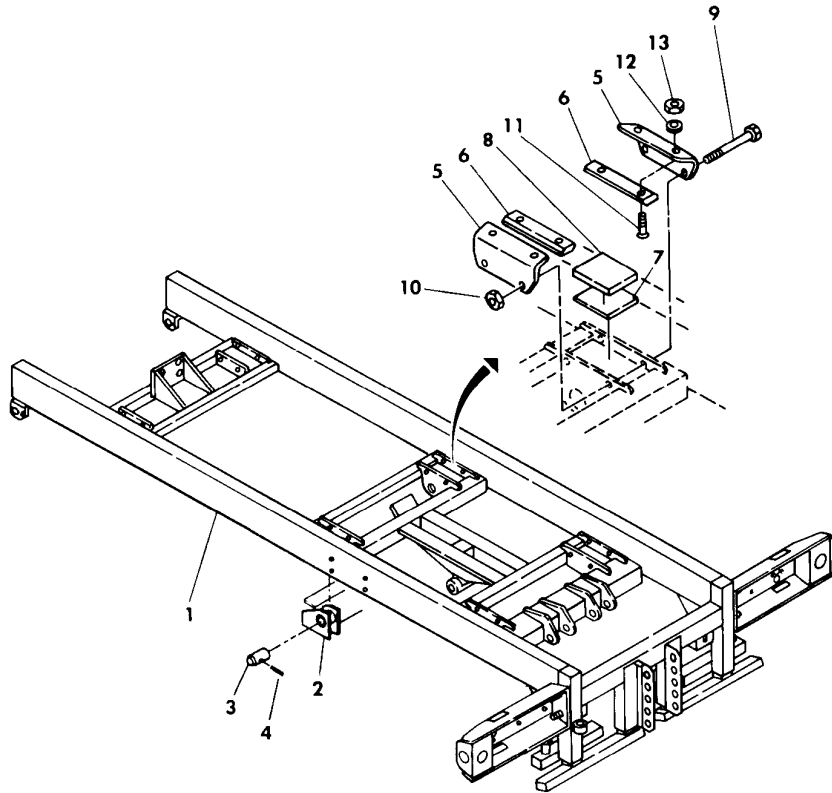
Ref. No.	Part No.	Description	Qty.
1	A4-935-000014	Control Valve	1
2	D3-177-000022	Support Weldment	1
3	D3-177-000021	Support Weldment	1
4	7-660-182301	Hex Nut	4
5	A4-706-000645	Plate	2
6	7-111-162250	Bolt	3
7	7-950-160141	Flatwasher	3
8	7-660-161605	Nylok Nut	3
9	A7-765-000003	Rod End	8, 10
10	A7-277-000001	Clevis	8, 10
11	7-660-150230	Jam Nut	12, 15
12	7-690-141200	Clevis Pin	8, 10
13	7-690-000810	Cotter Pin	8, 10
14	7-690-151600	Clevis Pin	8, 10
15	7-690-051610	Cotter Pin	8, 10
16	7-440-030000	Grease Fitting	8, 10
17	B3-763-000048	Control Rod Assembly	4, 5
18	A4-691-000106	Pin	2
19	A7-754-000009	Retaining Ring	4
20	7-950-220141	Flatwasher	16
21	C3-551-000013	Handle Weldment	0, 2
22	C3-551-000002	Handle Weldment	2, 2
23	C3-551-000017	Handle Weldment	2, 2
24	C3-551-000001	Handle Weldment	2, 2
25	C3-551-000012	Handle Weldment	2, 2
26	A7-551-000002	Knob (Black)	6, 8
27	A7-551-000003	Knob (Red)	2, 2
28	A7-590-000012	Light	2
29	A7-295-000002	Throttle Cable	1
30	C4-560-000010	Control Panel Hood	1
31	C4-560-000012	Control Panel Hood	1
32	C4-706-000853	Splash Guard	1
33	7-632-044033	Moulding	2
34	7-790-141056	Self Tapping Screw	18
35	C4-314-000018	Cover Plate	2
36	A4-017-000056	Angle	4
37	C7-330-000096	Decal, L.H. (IRL)	1
	C7-330-000115	Decal, L.H. (Rear Stabilizer)	1
38	C7-330-000095	Decal, R.H. (IRL)	1
	C7-330-000114	Decal, R.H. (Rear Stabilizer)	1
39	A7-759-000004	Rivet	8
40	7-111-150813	Truss Head Bolt	18
41	7-950-150000	Lockwasher	18
42	7-660-150000	Nut	18
43	A4-763-000064	Threaded Rod	4, 5
44	A4-209-000021	Spacer Bushing (4 Bank Valve Only)	2, 0
45	C4-706-000779	Splash Guard	1

Rev. _____

4.14

Date _____

SUBFRAME



4.15

Rev. _____

Date _____

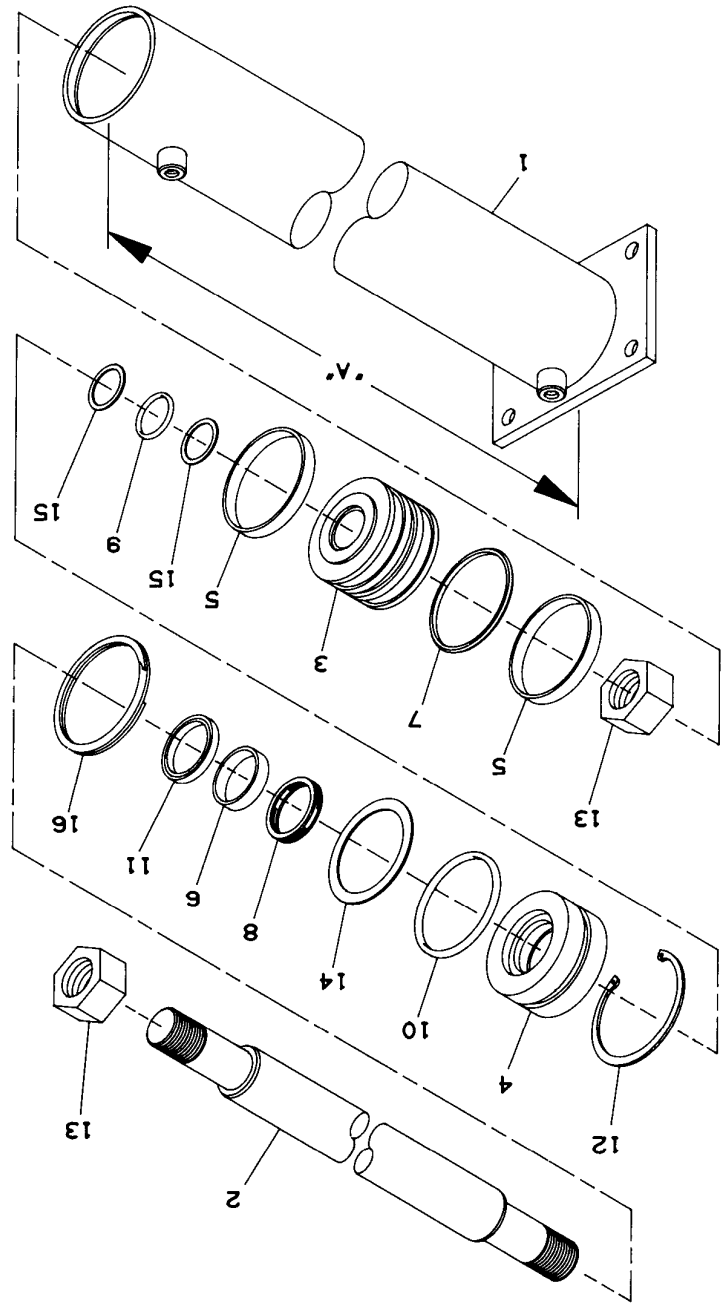
PARTS LIST – SUBFRAME

Ref. No.	Part No.	Description	Qty.
1	D3-533-700020	Subframe	1
2	C3-905-000001	Trunnion	1
3	A4-691-000126	Hinge Pin	2
4	7-690-164040	Roll Pin	2
5	B4-706-000111	Nylatron Holder	12
6	A4-679-000008	Wear Pad	12
7	A4-534-0-00176	Nylatron Spacer	6
8	A4-534-0-00171	Nylatron Pad	6
9	7-115-185250	Hex Head Bolt	12
10	7-660-181600	Hex Lock Nut	12
11	7-111-161207	Flat Head Screw	24
12	7-950-160000	Lockwasher	24
13	7-660-160000	Hex Nut	24

4.16

Rev. _____

Date _____



ROLL BACK CYLINDER

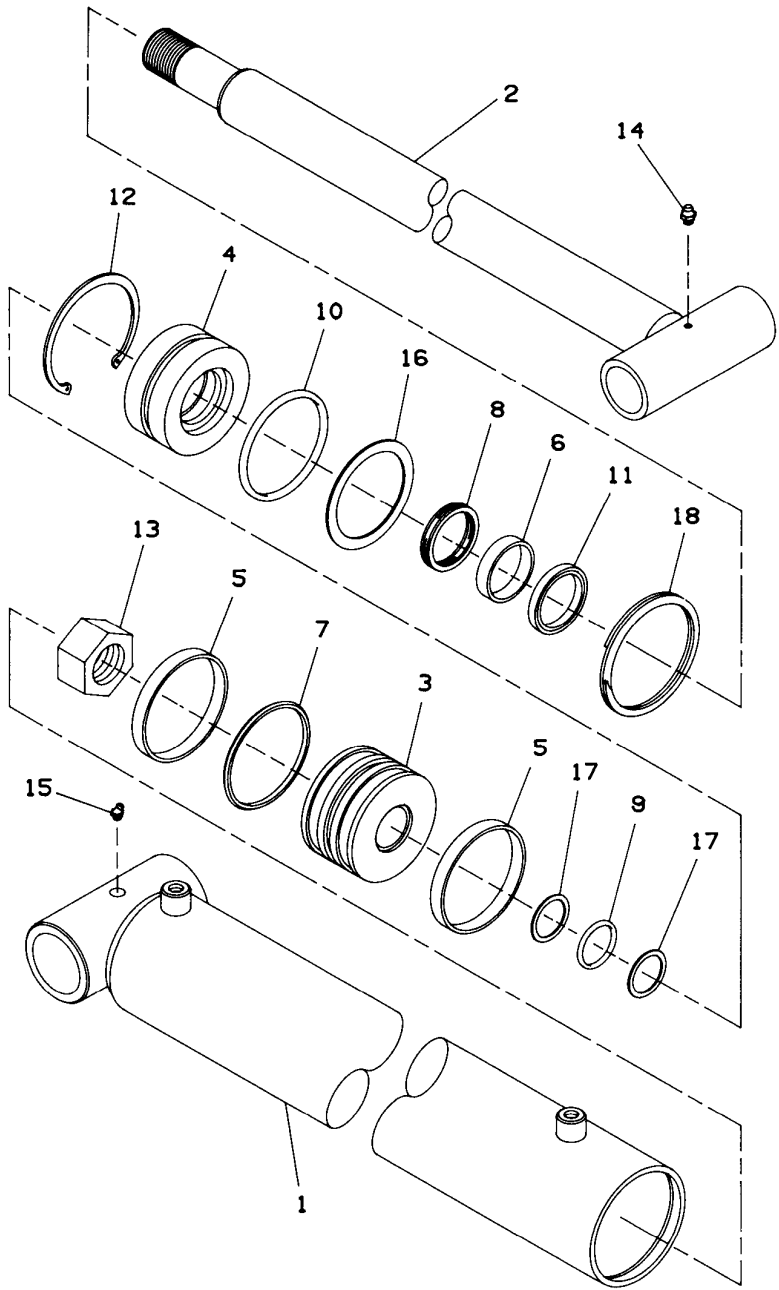
PARTS LIST — ROLL BACK CYLINDER

C3-320-000015
C3-320-000026
C3-320-000035

Ref. No.	Part No.	Description	Qty.
1	C3-071-000015	Barrel ("A"=102.75)	1
	C3-071-000024	Barrel ("A"=114.75)	1
	C3-071-000033	Barrel ("A"=126.75)	1
2	4-763-000090	Rod ("A"=102.75)	1
	4-763-000091	Rod ("A"=114.75)	1
	4-763-000092	Rod ("A"=126.75)	1
3	B4-698-000009	Piston	1
4	B4-553-000010	Head	1
5	A7-796-000013*	Ring Wear	2
6	A7-796-000012*	Ring Wear	1
7	A7-796-000014*	Seal Piston	1
8	7-796-000025*	Seal Rod	1
9	7-755-226000*	"O" Ring	1
10	7-755-338000*	"O" Ring	1
11	A7-796-000011*	Seal Rod Wiper	1
12	A7-754-000016*	Ring, Retaining	1
13	7-660-342031	Locknut	2
14	7-755-338609*	Ring, Backup	1
15	7-755-326609*	Ring, Backup	2
16	7-754-000027*	Ring, Retainer	1

* Available only in service kit #7-577-250025.

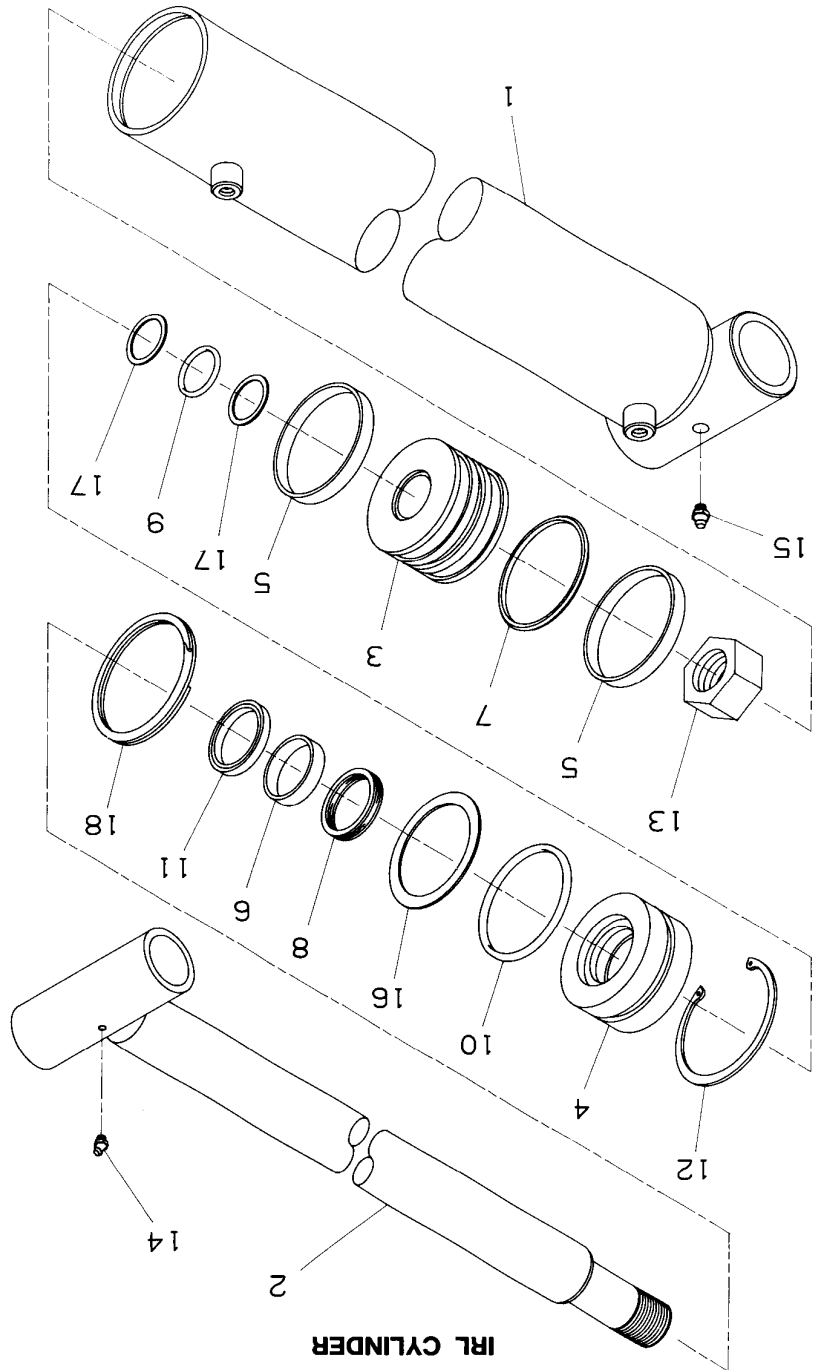
TILT CYLINDER



**PARTS LIST – TILT CYLINDER
C1-700-1-00024**

Ref. No.	Part No.	Description	Qty.
1	C2-700-200033	Barrel	1
2	3-763-000032	Rod	1
3	B4-698-000007	Piston	1
4	B4-533-000008	Head	1
5	A7-754-000003*	Ring, Wear	2
6	A7-754-000004*	Ring, Wear	1
7	A7-796-000006*	Seal, Piston 'T'	1
8	A7-796-000024*	Seal, Rod	1
9	7-755-224000*	"O" Ring	1
10	7-755-334000*	"O" Ring	1
11	A7-796-000008*	Seal, Rod Wiper	1
12	A7-754-000002*	Ring, Retaining	1
13	7-660-262031	Nut, Lock	1
14	7-440-000000	Fitting, Grease	1
15	7-440-000200	Fitting, Grease-45°	1
16	7-755-334609*	Ring, Backup	1
17	7-755-224609*	Ring, Backup	2
18	7-754-000026*	Ring, Retaining	1

* Available only in service kit #7-577-250024.



IRL CYLINDER

PARTS LIST — IRL CYLINDER

C3-320-000037

Ref. No.	Part No.	Description	Qty.
1	C3-071-000035	Barrel	1
2	3-763-000047	Rod	1
3	B4-698-000007	Piston	1
4	B4-533-000008	Head	1
5	A7-754-000003*	Ring, Wear	2
6	A7-754-000004*	Ring, Wear	1
7	A7-796-000006*	Seal, Piston T'	1
8	A7-796-000024*	Seal, Rod	1
9	7-755-224000*	"O" Ring	1
10	7-755-334000*	"O" Ring	1
11	A7-796-000008*	Seal, Rod Wiper	1
12	A7-754-000002*	Ring, Retaining	1
13	7-660-262031	Nut, Lock	1
14	7-440-000000	Fitting, Grease	1
15	7-440-000200	Fitting, Grease-45°	1
16	7-755-224609*	Ring, Backup	1
17	7-755-334609*	Ring, Backup	2
18	7-754-000027*	Ring, Retaining	1

PARTS LIST — IRL CYLINDER

C3-320-000036

Ref. No.	Part No.	Description	Qty.
1	C3-071-000034	Barrel	1
2	3-763-000047	Rod	1
3	B4-698-000007	Piston	1
4	B4-533-000008	Head	1
5	A7-754-000003*	Ring, Wear	2
6	A7-754-000004*	Ring, Wear	1
7	A7-796-000006*	Seal, Piston T'	1
8	A7-796-000024*	Seal, Rod	1
9	7-755-224000*	"O" Ring	1
10	7-755-334000*	"O" Ring	1
11	A7-796-000008*	Seal, Rod Wiper	1
12	A7-754-000002*	Ring, Retaining	1
13	7-660-262031	Nut, Lock	1
14	7-440-000000	Fitting, Grease	1
15	7-440-000200	Fitting, Grease-45°	1
16	7-755-224609*	Ring, Backup	1
17	7-755-334609*	Ring, Backup	2
18	7-754-000027*	Ring, Retaining	1

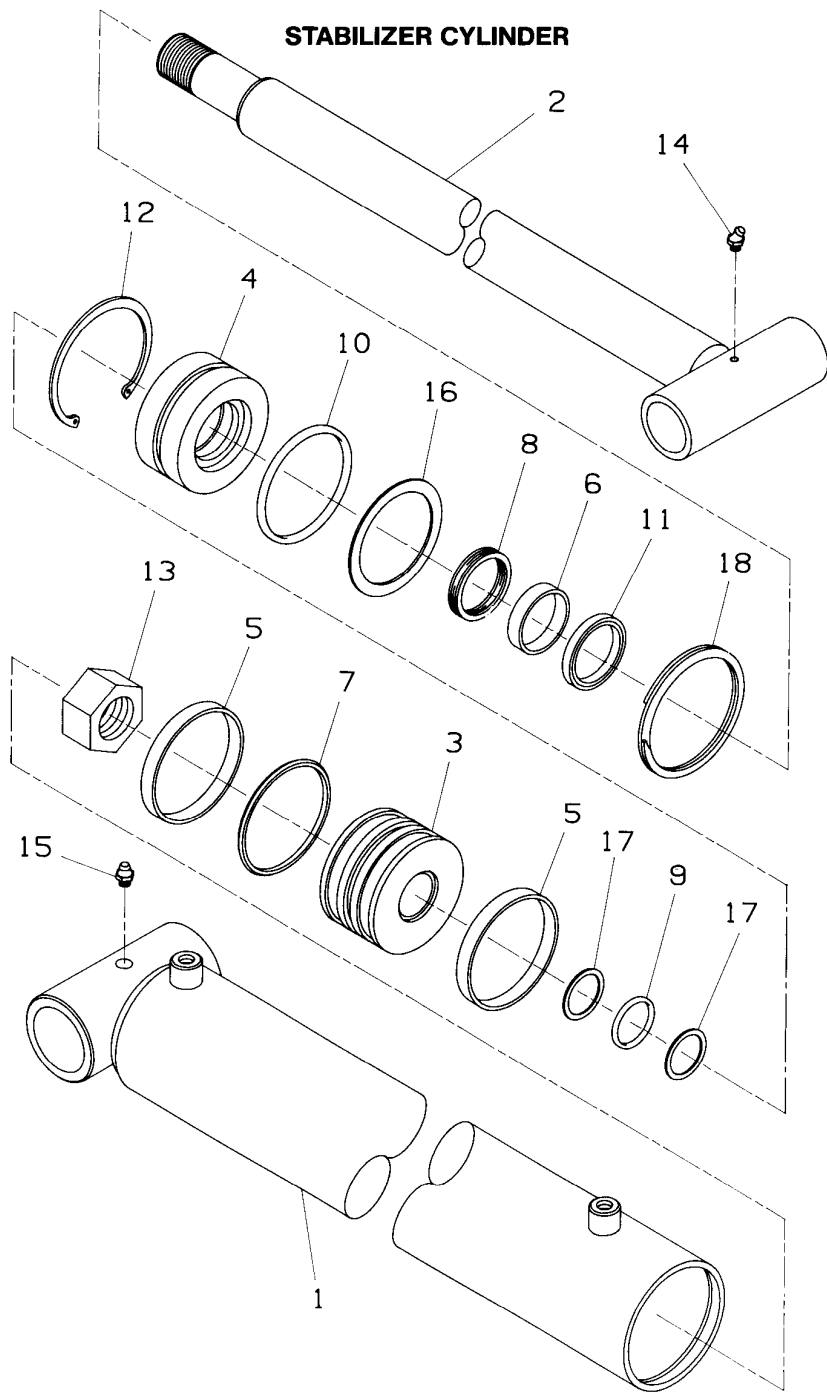
* Available only in service kit #7-577-250024.

Rev. _____

4.22

Date _____

STABILIZER CYLINDER



Rev. _____

Date _____

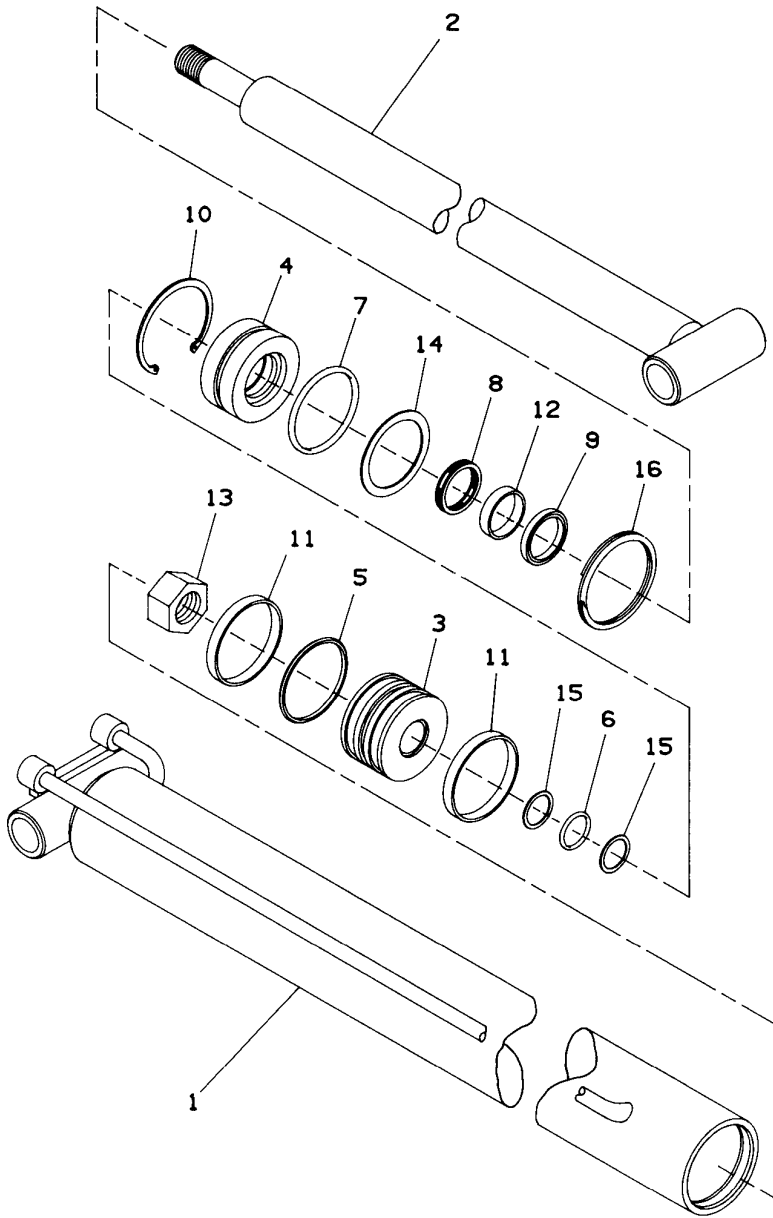
PARTS LIST — STABILIZER CYLINDER

C1-700-1-00019

Ref. No.	Part No.	Description	Qty.
1	C2-700-200021	Barrel	1
2	3-763-000027	Rod	1
3	B4-698-000007	Piston	1
4	B4-533-000008	Head	1
5	A7-754-000003*	Ring, Wear	2
6	A7-754-000004*	Ring, Wear	1
7	A7-796-000006*	Seal, Piston 'T'	1
8	A7-796-000024*	Seal, Rod	1
9	7-755-224000*	"O" Ring	1
10	7-755-334000*	"O" Ring	1
11	A7-796-000008*	Seal, Rod Wiper	1
12	A7-754-000002*	Ring, Retaining	1
13	7-660-262031	Nut, Lock	1
14	7-440-000200	Fitting, Grease-45°	1
15	7-440-000000	Fitting, Grease	1
16	7-755-334609*	Ring, Backup	1
17	7-755-224609*	Ring, Backup	2
18	7-754-000026*	Ring, Retaining	1

* Available only in service kit #7-577-250024.

TOW BAR CYLINDER



5-375-000057-REV-0

4.25

Rev. _____

Date _____

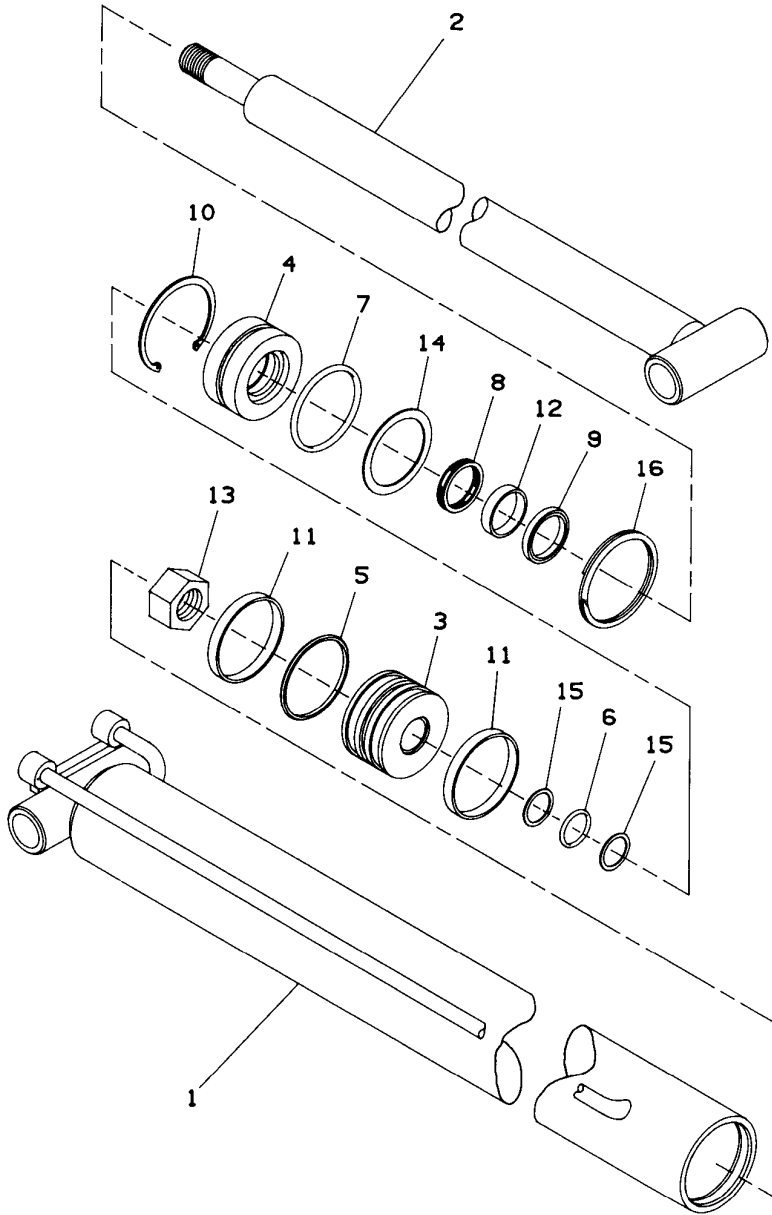
PARTS LIST – TOWBAR CYLINDER

C3-320-000020

Ref. No.	Part No.	Description	Qty.
1	C3-071-000020	Barrel	1
2	B3-763-000035	Rod	1
3	B4-698-000007	Piston	1
4	B4-553-000008	Head	1
5	A7-796-000006*	Seal, Piston 'T'	1
6	7-755-224000*	"O" Ring	1
7	7-755-334000*	"O" Ring	1
8	A7-796-000024*	Seal, Rod	1
9	A7-796-000008*	Seal, Rod Wiper	1
10	A7-754-000002*	Ring, Retaining	1
11	A7-754-000003*	Ring, Wear	1
12	A7-754-000004*	Ring, Wear	1
13	7-660-262031	Nut, Lock	1
14	7-755-334609*	Ring, Backup	1
15	7-755-224609*	Ring, Backup	2
16	7-754-000026*	Ring, Retaining	1

* Available only in service kit #7-577-250024.

WHEEL LIFT TOW BAR CYLINDER



5-375-000057-REV-0

4.27

Rev. _____

Date _____

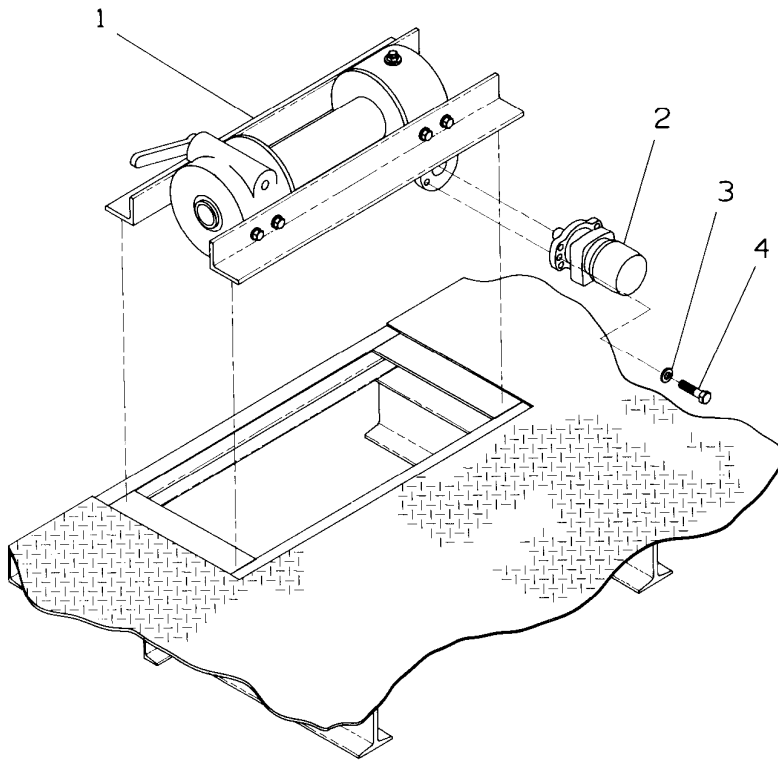
PARTS LIST – WHEEL LIFT TOWBAR CYLINDER

C3-320-000021

Ref. No.	Part No.	Description	Qty.
1	C3-071-000021	Barrel	1
2	B3-763-000036	Rod	1
3	B4-698-000007	Piston	1
4	B4-553-000008	Head	1
5	A7-796-000006*	Seal, Piston 'T'	1
6	7-755-224000*	"O" Ring	1
7	7-755-334000*	"O" Ring	1
8	A7-796-000024*	Seal, Rod	1
9	A7-796-000008*	Seal, Rod Wiper	1
10	A7-754-000002*	Ring, Retaining	1
11	A7-754-000003*	Ring, Wear	1
12	A7-754-000004*	Ring, Wear	1
13	7-660-262031	Nut, Lock	1
14	7-755-334609*	Ring, Backup	1
15	7-755-224609*	Ring, Backup	2
16	7-754-000026*	Ring, Retaining	1

* Available only in service kit #7-577-250024.

10,000 LB.
WINCH ASSEMBLY
 (8 TON DECK OPTION)



PARTS LIST — 10,000 LB. WINCH ASSEMBLY
 (8 TON DECK OPTION)

Ref. No.	Part No.	Description	Qty.
1	C7-970-000012	Hydraulic Winch	1
2	B7-626-000009	Orbit Motor	1
3	7-950-180000	Lockwasher	2
4	7-115-181250	Hex Head Capscrew	2

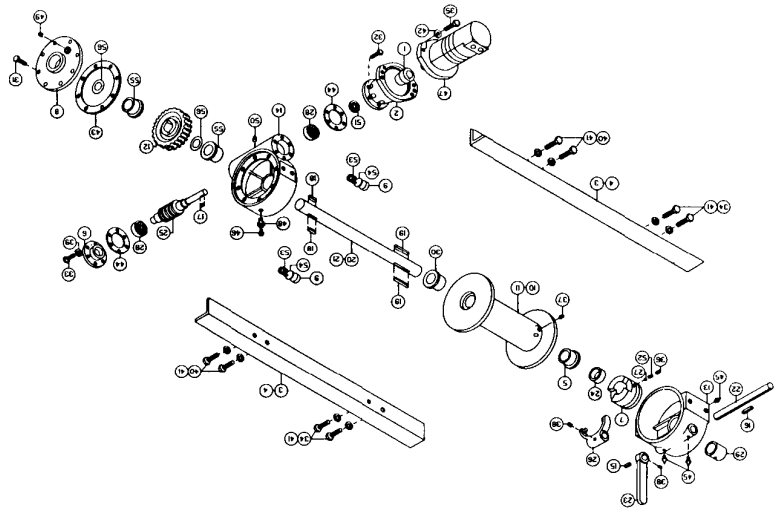
5-375-000059-REV-0

4.29

Rev. _____

Date _____

MODEL H-400



PARTS LIST
Model H400

Item No.	Qty.	Part No.	Description
1	1	41943	Coupling Ass'y.
2	1	30044	Adapter
3	2	30769	Angle-H400
4	2	30769	Angle-H400
5	1	30769	Angle-H400
6	5	11604	Cap
7	1	30769	Bushing-400
8	1	32810	Clutch-Jaw
9	1	32810	Cover
10	1	33010	Shoe-Drum Brake
11	1	33010	Drum-400
12	1	33010	Drum-400
13	1	33010	Drum-400
14	1	33010	Housing-Gear
15	1	34702	Key-Sq. End
16	1	34702	Key-Sq. End
17	1	34702	Key-Rd. End
18	2	34702	Key-Rd. End
19	2	34702	Key-Rd. End
20	1	35670	Shaft-Drum-400
21	1	35670	Shaft-Drum-400
22	1	35670	Shaft-5/16" Key
23	1	35801	Shifter-Handle
24	1	36207	Spacer-Drum
25	1	36207	Worm-R.H.
26	1	37003	Yoke
27	1	40005	Ball-Rocket
28	1	41705	Bushing
29	1	41705	Bushing
30	1	41706	Bushing-400 only
31	8	41146	Cap screw 5/16-18NC x 3/4 Lg. Hx. Hd.
32	6	41138	Cr-5 Nylon Hwy. Patch
33	6	41139	Cap screw 5/16-18NC x 1-1/4 Lg. Hx. Hd.
34	4	41447	Cr-5 Cap screw 7/16-14NC x 1-1/4 Lg. Hx. Hd.
35	2	41950	Cap screw 1/2-20NF HD-Less Dr. Slot Lck-Wal
36	1	41941	Cr-5 Nylon Hwy. Patch
37	1	41639	Cap screw 3/8-16NC x 1/2 Lg. Hx. Soc. Hd.
38	2	41610	Cap screw 5/16-18NC x 3/8 Lg. Sq. Hd.
39	6	41613	Cap screw 5/16-18NC x 1-1/4 Lg. Hx. Hd.
40	4	41448	Cr-5 Nylon Hwy. Patch
41	8	41819	Lockwasher 7/16 Med. Sect. C.P.
42	2	41819	Lockwasher 1/2 Med. Sect.
43	1	44212	Gasket
44	2	44212	Gasket
45	3	45606	Fitting-Lube
46	1	45608	Fitting-Relief
47	1	45625	Motor-Hyd.
48	1	46022	Reducer
49	1	46010	Plug-Pipe
50	1	46011	Plug-Pipe
51	1	46067	Seal-Oil
52	1	48405	Spring
53	2	48405	Spring
54	2	53004	Spacer-Brake Disc
55	2	30044	Bushing
56	2	44703	O-Ring

4.30

Rev. _____
Date _____

**PARTS LIST — HYDRAULIC WHEEL LIFT TOW BAR
INSTALLATION WITH AND WITHOUT IRL**

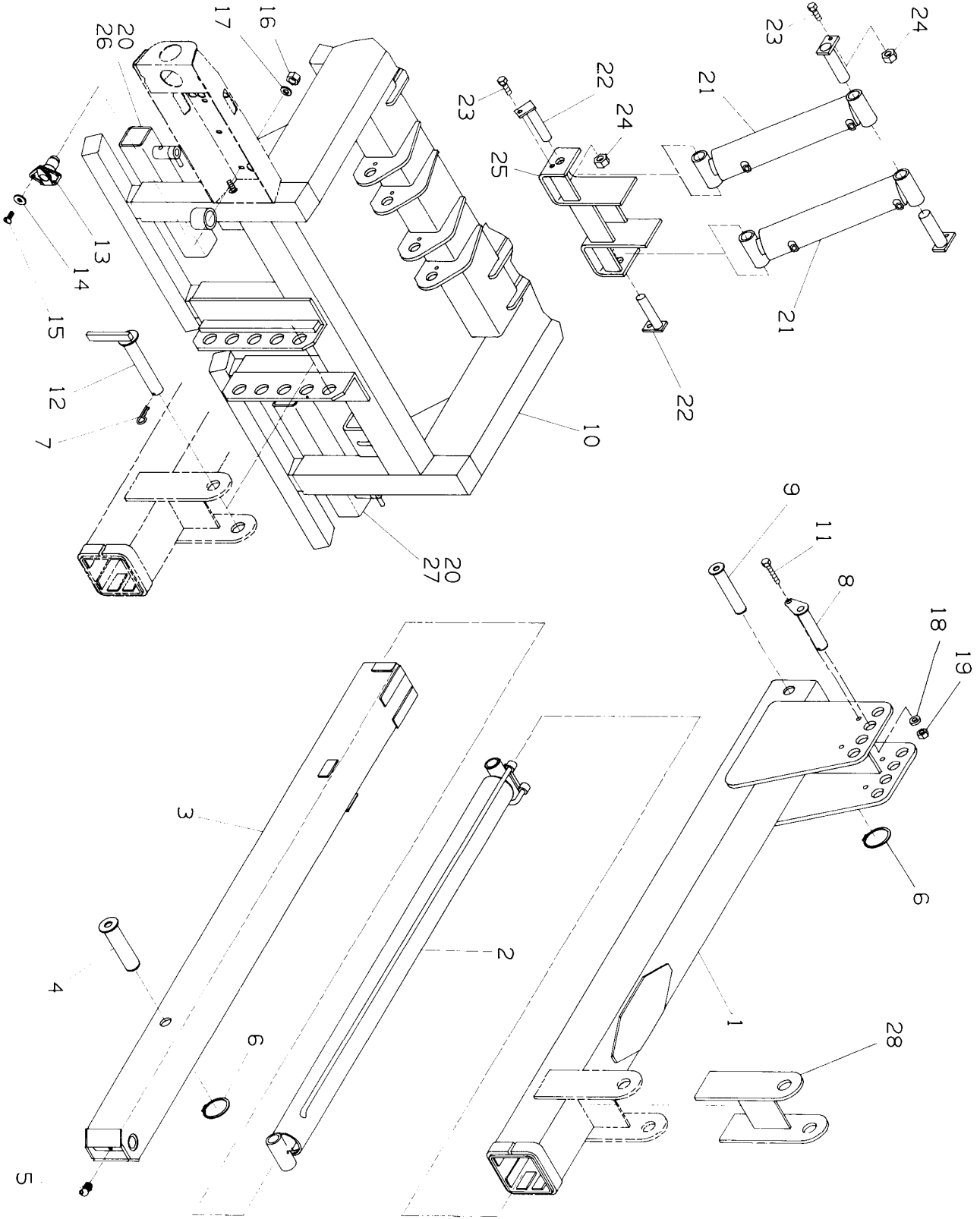
Ref. No.	Part No.	Description	Qty.
1	D3-170-000029	Outer Tube Weldment (Low Profile Chassis)	1
	D3-170-000023	Outer Tube Weldment	1
2	C3-320-000021	Tow Bar Cylinder	1
3	C3-170-000026	Inner Tube Weldment	1
4	A3-691-000011	Cylinder Pin	1
5	7-440-000200	Grease Fitting	1
6	A7-754-000006	Retaining Ring	2
7	A7-691-000001	Hair Pin	1
8	3-691-000074	Pin	1
9	A3-691-000042	Cylinder Pin	1
10	D3-533-700020	Subframe	1
11	7-118-151250	Hex Head Cap Screw	1
12	A3-691-000067	Pin	2
13	A7-291-000003	Female Receptacle	1
14	7-950-140161	Flatwasher	2
15	7-111-140613	Truss Head Screw	2
16	7-660-140000	Hex Nut	2
17	7-950-140000	Lockwasher	2
18	7-950-150161	Flatwasher	1
19	7-660-152600	Locknut	1
20	7-660-000011	Flanged Locknut	4
21	C3-320-000036	Cylinder Assembly (Low Profile Chassis)	2
	C3-320-000037	Cylinder Assembly	2
22	3-691-000073	Cylinder Pin	4
23	7-115-160850	Hex Head Cap Screw	4
24	7-660-162301	Locknut	4
25	C3-178-000115	Bracket	1
26	B3-913-000012	Storage Tube Weldment, L.H.	1
27	B3-913-000024	Storage Tube Weldment, R.H.	1
28	A3-606-000013	Lug Weldment (Low Profile Chassis)	1
	A3-606-000012	Lug Weldment	1

Rev. _____

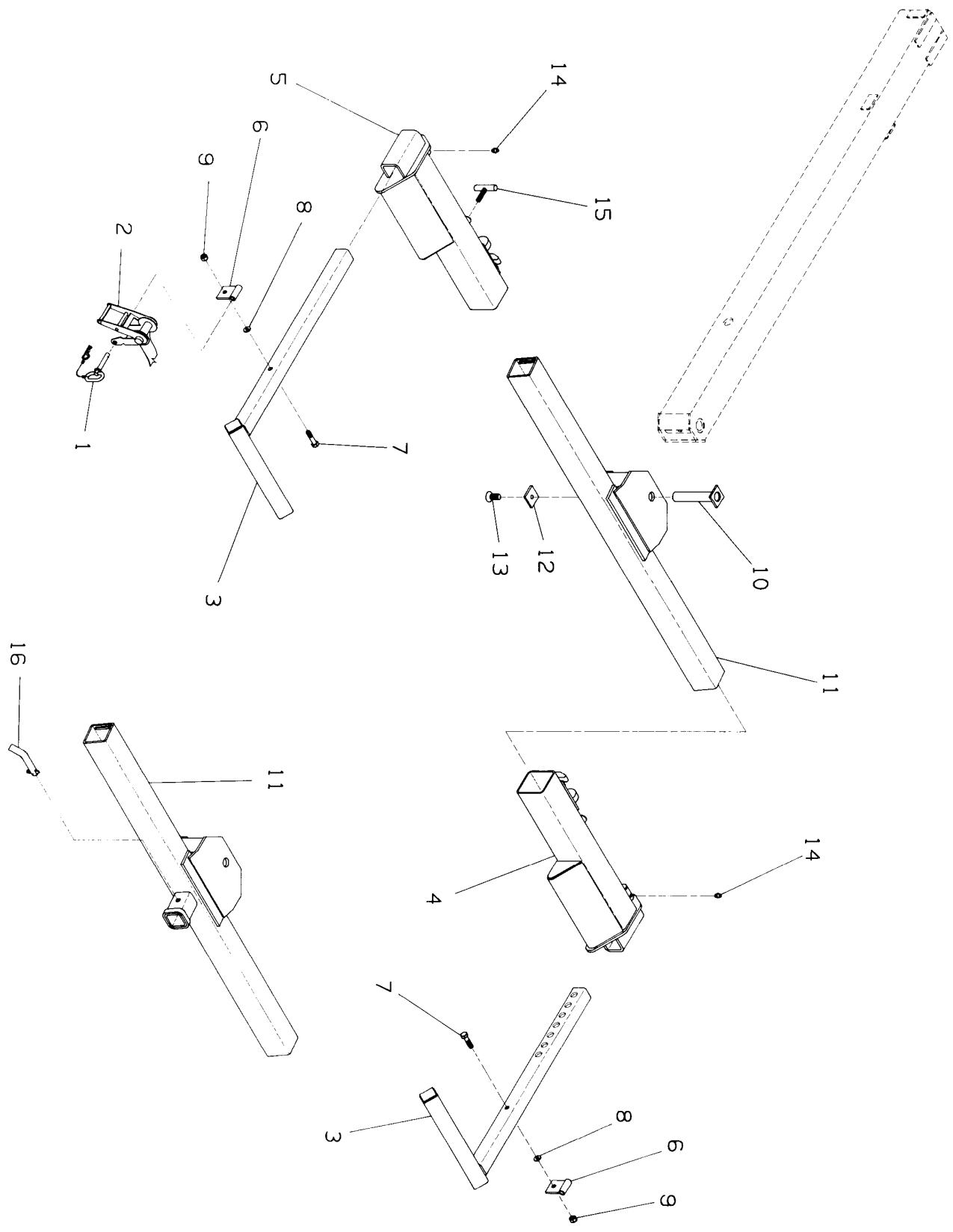
4.31

Date _____

**HYDRAULIC WHEEL LIFT TOW BAR INSTALLATION
WITH AND WITHOUT IRL**



HYDRAULIC TOW BAR WHEEL GRID ASSEMBLY



PARTS LIST — HYDRAULIC TOW BAR WHEEL GRID ASSEMBLY

Ref. No.	Part No.	Description	Qty.
1	A7-691-000011	Hitch Pin	2
2	A7-894-000002	Tie Down Strap	2
3	C3-511-880049	L - Arm	2
4	C3-511-880067	Grid Weldment, R.H.	1
5	C3-511-880068	Grid Weldment, L.H.	1
6	A3-178-000001	Anchor Bracket	2
7	7-105-182450	Hex Cap Screw	2
8	7-950-180153	Flatwasher	2
9	7-660-181630	Hex Locknut	2
10	B3-691-000021	Pin	1
11	C3-500-880043	Pivot Tube	1
	C3-500-880044	Pivot Tube w/Hitch Tube	1
12	A4-949-000010	Plate	1
13	7-118-180820	Flat Head Bolt	1
14	7-440-030000	Grease Fitting	2
15	A3-551-000026	T - Handle	2
16	A7-691-000016	Hitch Pin	1

PARTS LIST — REAR DOCK STABILIZER

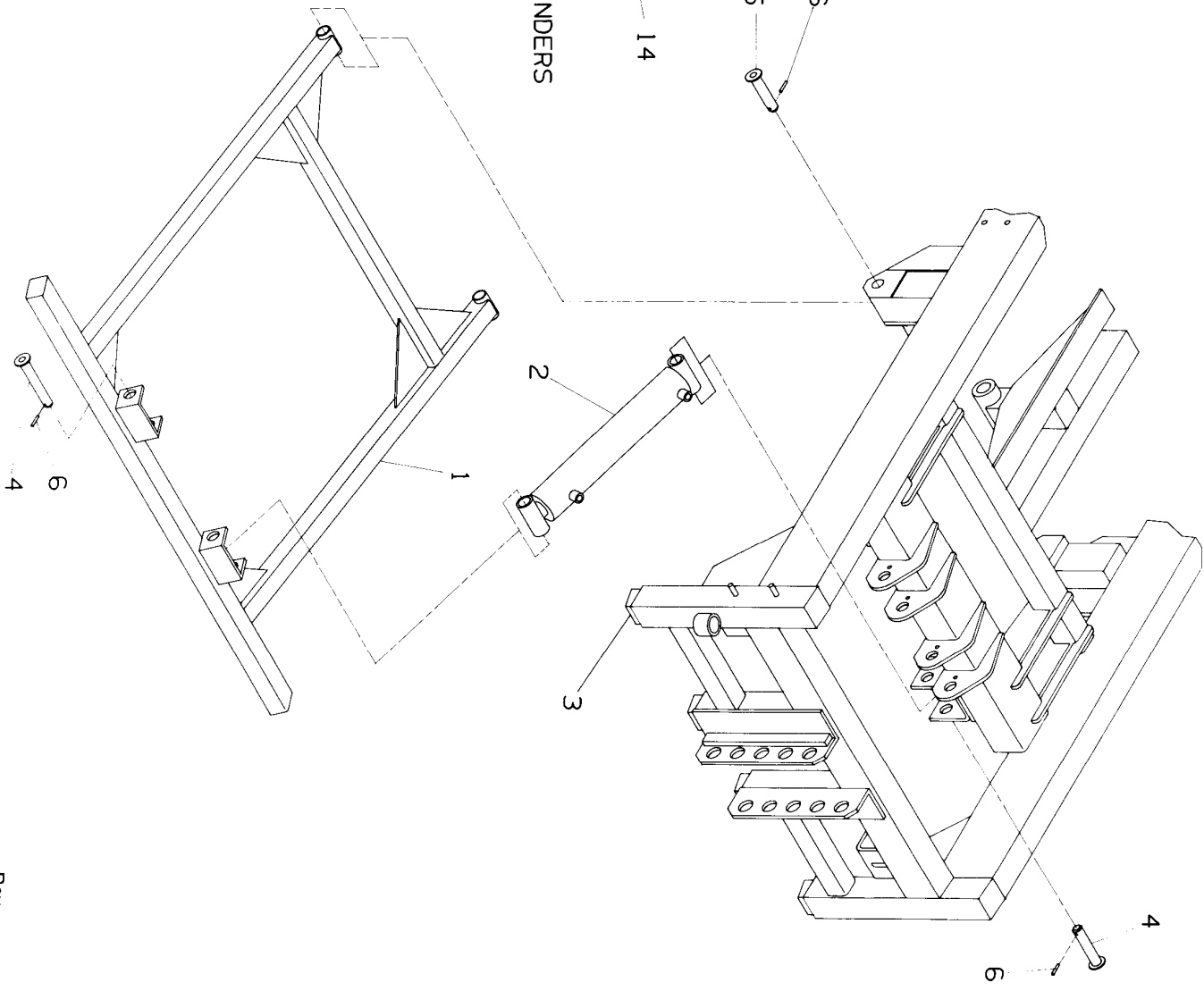
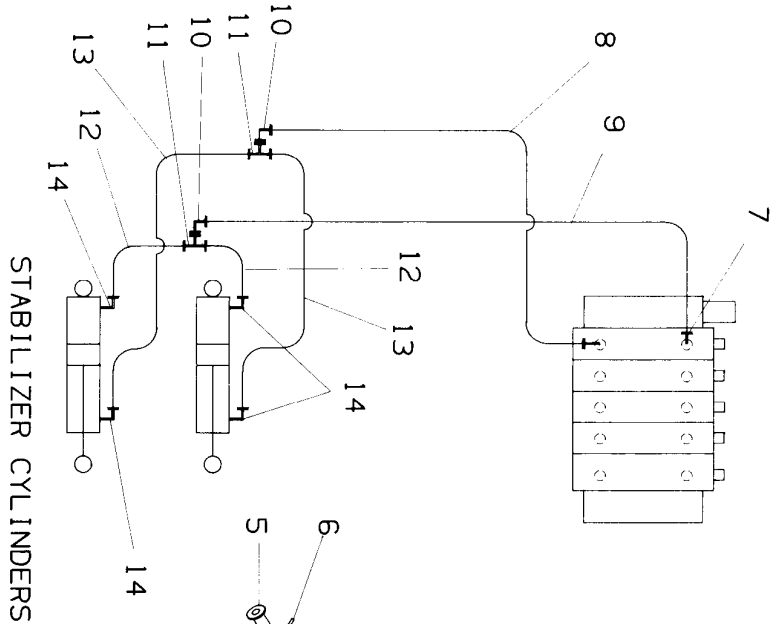
Ref. No.	Part No.	Description	Qty.
1	D2-530-000087	Lower Arm, 45"	1
2	C1-700-100018	Cylinder Assembly	2
3	A4-913-000113	Tube, Inner Bumper	4
4	A3-681-000051	Pin	2
5	A3-681-000052	Pin	2
6	7-690-143244	Roll Pin	6
7	7-445-081043	Str. Adapter	2
8	4-567-130262	Stabilizer Supply Hose	1
9	4-567-130362	Stabilizer Supply Hose	1
10	7-445-080872	90° Elbow	2
11	7-445-060837	Tee	2
12	4-567-120027	Stabilizer Base Hose	2
13	4-567-120048	Stabilizer Rod Hose	2
14	7-445-060620	90° Elbow	4

4.35

Rev. _____

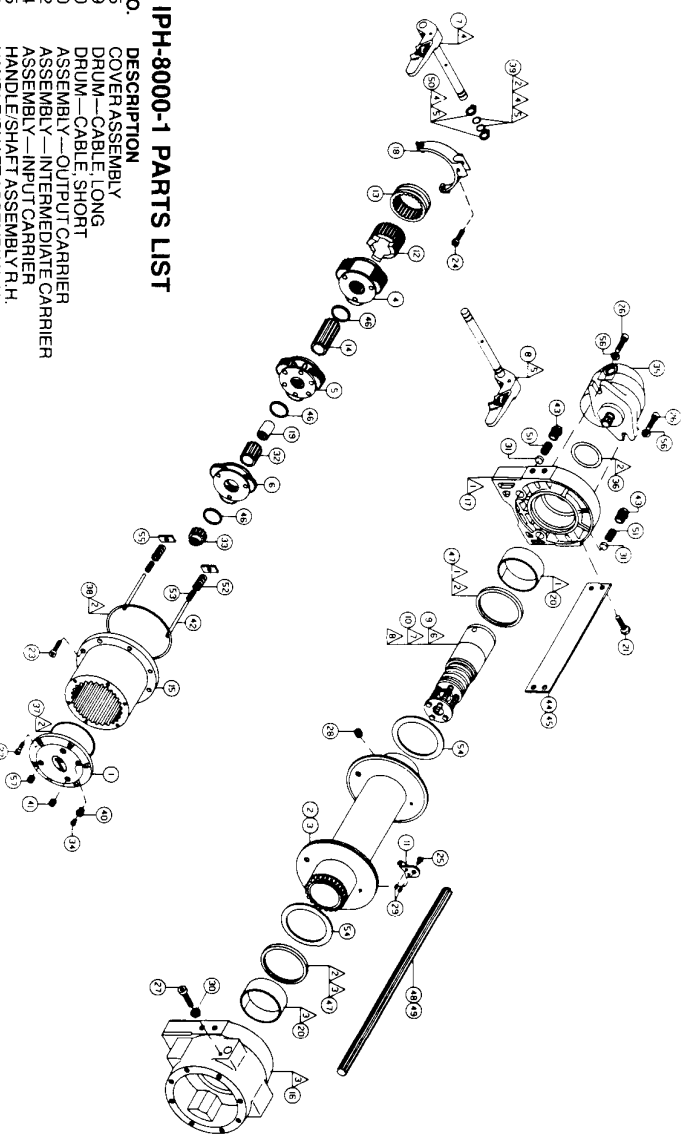
Date _____

REAR DOCK STABILIZER



IPH-8000-1 PARTS LIST

ITEMNO.	QTY.	PARTNO.	DESCRIPTION
1	1	228075	COVER ASSEMBLY
2	1	234149	DRUM—CABLE LONG
3	1	234150	DRUM—CABLE SHORT
4	1	247010	ASSEMBLY—OUTPUT CARRIER
5	1	247012	ASSEMBLY—INTERMEDIATE CARRIER
6	1	247014	ASSEMBLY—INPUT CARRIER
7	1	276045	HANDLE SHAFT ASSEMBLY R.H.
8	1	276046	HANDLE SHAFT ASSEMBLY L.H.
9	1	296290	BRAKE ASSEMBLY 'A' ROTATION
10	1	296291	BRAKE ASSEMBLY 'B' ROTATION
11	1	299680	CABLE ANCHOR
12	1	324271	COUPLING—CLUTCH
13	1	324323	RING—LOCKING
14	1	334159	GEAR—SUN OUTPUT
15	1	334180	GEAR—RING
16	1	338264	END BEARING—GEAR HOUSING
17	1	338265	END BEARING—MOTOR
18	1	370053	YOKE
19	1	412073	BUSHING—INPUT SHAFT
20	2	412074	BUSHING—DRUM
21	8	414620	CAPSCREW 1/2"—13NC X 1LG. HX. HD. GR5 LOK-WEL
22	6	414848	CAPSCREW 1/4"—20NC X 1LG. SOC. HD. LOK-WEL
23	8	414869	CAPSCREW 5/16"—18NC X 1 1/4 LG. SOC. HD. LOK-WEL
24	1	414871	CAPSCREW 5/16"—18NC X 1 1/4 LG. SOC. HD. LOK-WEL
25	1	414819	CAPSCREW 1/4"—20NC X 1 1/2 LG. FLAT SOC. HD. LOK-WEL
26	2	414822	CAPSCREW 3/8"—16NC X 2 1/4 LG. SOC. HD. NYLON
27	1	414930	CAPSCREW 3/8"—16NC X 2 1/4 LG. SOC. HD.
28	1	416928	SETScrew 1/4"—20NC X 1/2 LG. CUPPT. LOK-WEL
29	1	418030	SETScrew 5/16"—24NF X 1/2 LG. CUPPT.
30	1	418036	NUT 3/8"—16NC JAM
31	2	438014	GEAR—DRAG BRAKE
32	1	444062	DISC—DRAG BRAKE
33	1	444063	GEAR—SUN, INTERMEDIATE
34	1	456008	BREATHER
35	1	458065	MOTOR—HYDRAULIC
36	1	462028	O-RING .06 WD. X 3.38 O.D. X 3.25 I.D.
37	1	462030	O-RING .103 SQ. X 5.875 I.D.
38	1	462031	O-RING .09 WD. X 6.94 O.D. X 6.75 I.D.
39	2	462037	O-RING .06 WD. X .62 O.D. X .50 I.D.
40	1	468002	REDUCER
41	1	468016	PLUG 3/8"—18NPT SOC. HD.
42	1	470068	PIN—CLUTCH SPRING
43	2	472018	PLUG—DRAG BRAKE
44	2	474036	TIE PLATE—LONG DRUM
45	2	474065	TIE PLATE—SHORT DRUM



ITEMNO.	QTY.	PARTNO.	DESCRIPTION
46	3	477005	RING—THRUST
47	2	486075	LIP SEAL
48	1	489013	SHAFT—INPUT LONG DRUM
49	1	489014	SHAFT—INPUT SHORT DRUM
50	1	480001	RING—SNAP EXTERNAL 3/8" I.D.
51	2	494002	SPRING—DRAG BRAKE
52	2	494082	SPRING—CLUTCH
53	2	494086	SPRING—CLUTCH
54	2	518029	WASHER—DRUM
55	2	518031	WASHER—YOKE SPRING
56	2	418181	WASHER—3/8" SAE FLAT
57	1	468030	PLUG 3/8"—18NPT SOC. HD. MAGNETIC

SUB-ASSEMBLIES IPH-8000-1

ITEMNO.	QTY.	PARTNO.	DESCRIPTION
△	1	202009	END BEARING ASS'Y—MOTOR
△	1	246036	SEAL KIT (ALL SEALS)
△	1	248049	HOUSING ASS'Y—CLUTCH
△	1	276043	HANDLE ASS'Y. R.H.
△	1	276044	HANDLE ASS'Y. L.H.
△	1	256044	BRAKE ASSEMBLY KIT—'A' ROTATION
△	1	256045	BRAKE ASSEMBLY KIT—'B' ROTATION
△	1	256046	FRICITION DISC KIT

ITEMS DESIGNATED WITH A TRIANGLE "△" ARE SUB-ASSEMBLIES AND CAN BE PURCHASED BY SUB-ASSEMBLY NUMBER.