

---

\$7.50

**MEDIUM DUTY**  
**OPERATIONS, MAINTENANCE,**  
**AND PARTS MANUAL**

***JERR-DAN***

An Oshkosh Truck Corporation Company

1080 Hykes Road

Greencastle, PA 17225

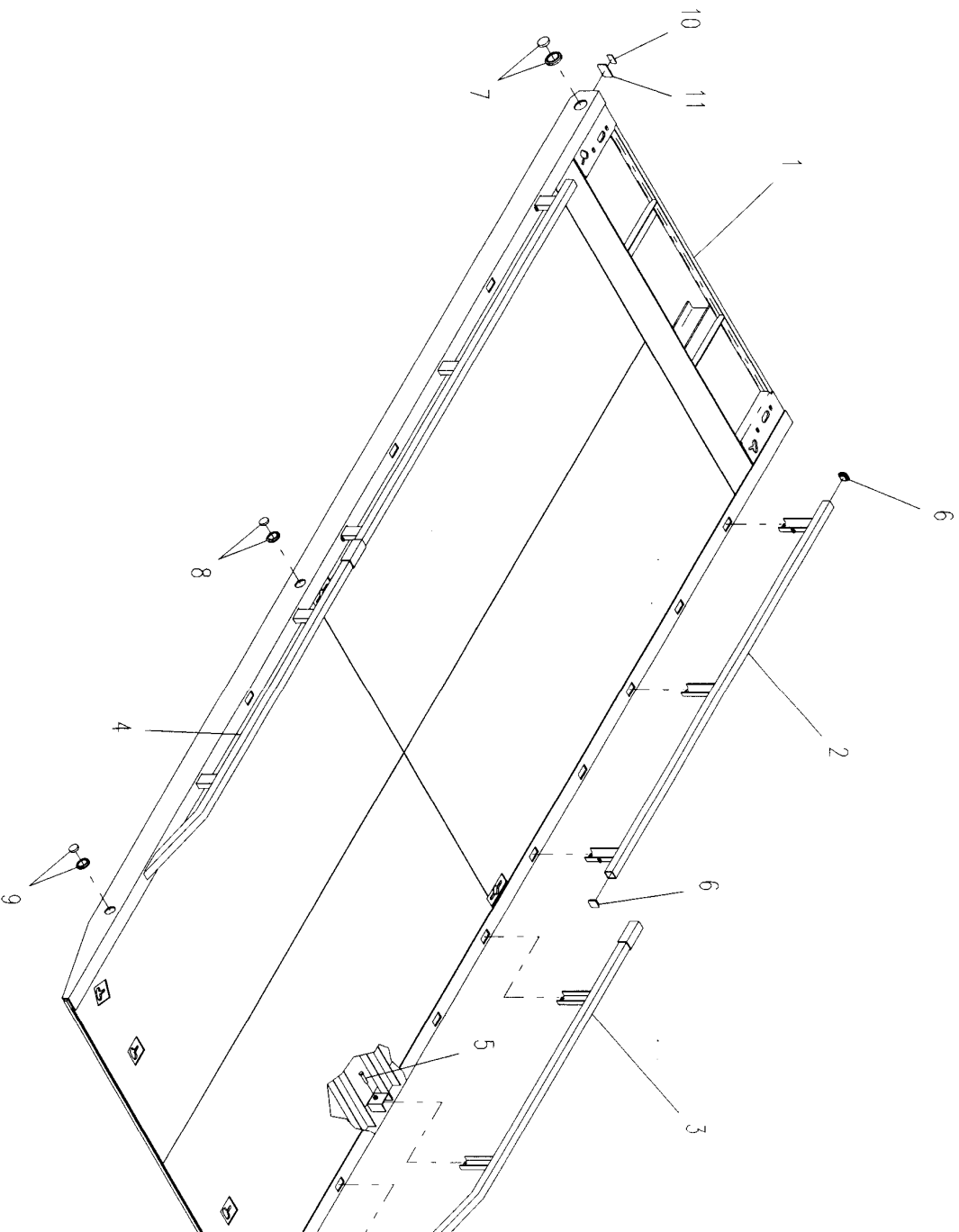
Phone (717) 597-7111

[www.jerr-dan.com](http://www.jerr-dan.com)

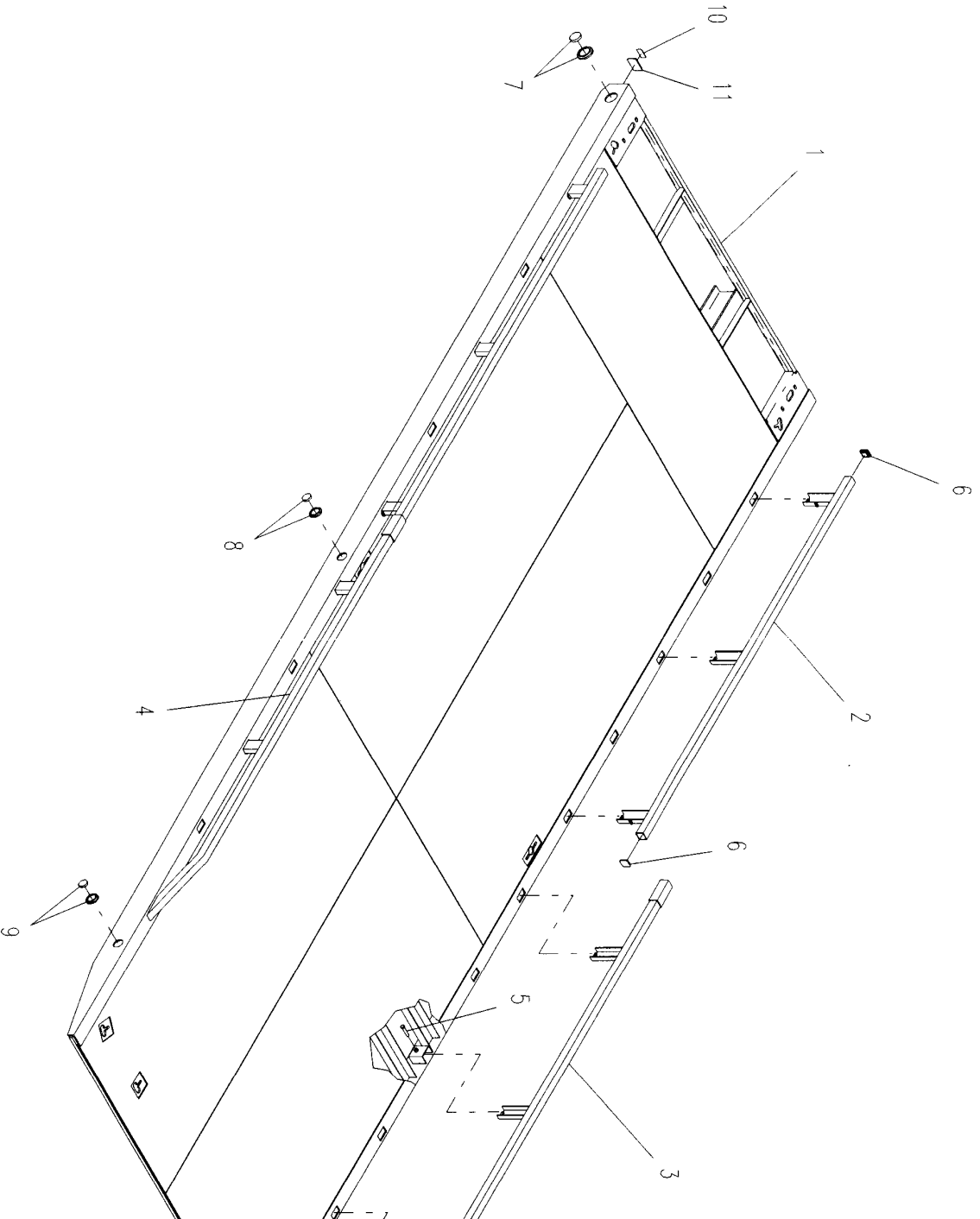
**PARTS LIST — 22' DECK**

<b>Ref. No.</b>	<b>Part No.</b>	<b>Description</b>	<b>Qty.</b>
1	3097000197	M15 Steel Deck	1
	3097000199	Transporter Deck	
2	3729000126	Rail - Front	1
3	3729000128	Rail - Right Rear	1
4	3729000127	Rail - Left Rear	2
5	7120000005	Capscrew	12
6	7701000033	End Cap	4
7	7590000045	Marker Light / Grommet	2
8	7590000010	Marker Light / Grommet	2
9	7590000079	Marker Light / Grommet	2
10	7590000090	Marker Light	2
11	7493000010	Grommet	2

22' DECK



24' DECK



**PARTS LIST — 24' DECK**

<b>Ref. No.</b>	<b>Part No.</b>	<b>Description</b>	<b>Qty.</b>
1	3097000198	M15 Steel Deck	1
	3097000200	Transporter Deck	
2	3729000126	Rail - Front	1
3	3729000130	Rail - Right Rear	1
4	3729000129	Rail - Left Rear	2
5	7120000005	Capscrew	12
6	7701000033	End Cap	4
7	7590000010	Marker Light / Grommet	2
8	7590000045	Marker Light / Grommet	2
9	7590000079	Marker Light / Grommet	2
10	7590000090	Marker Light	2
11	7493000010	Grommet	2

**PARTS LIST — WINCH & CABLE ROLLER GUIDE**

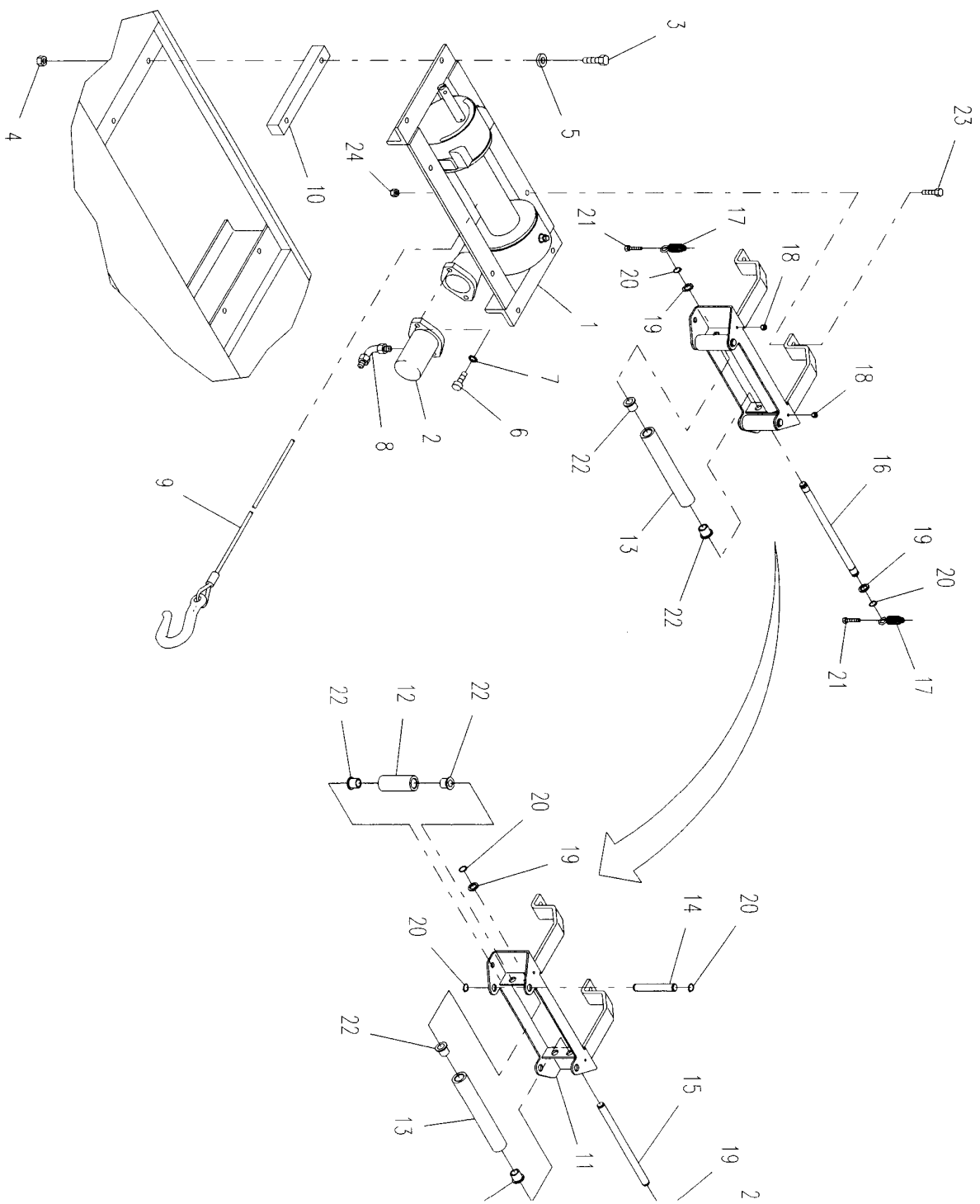
Ref. No.	Part No.	Description	Qty.
1	7970000072	Winch	1
2	7626000014	Orbit Motor	1
3	7115181450	Capscrew	4
	7115182650 <sup>*</sup>	Capscrew	4
4	7660182301	Locknut	4
5	7950180153	Flatwasher	4
6	9970414952	Capscrew	2
7	7950180400	Lockwasher	2
8	7445081045	Fitting	2
9	7248000044	Cable	1
10	4062000318 <sup>*</sup>	Bar	2
11	3178000238 <sup>†</sup>	Bracket	1
12	4912000087 <sup>†</sup>	Roller Tube	2
13	4912000130 <sup>†</sup>	Roller Tube	2
14	4806000011 <sup>†</sup>	Roller Shaft	2
15	4806000014 <sup>†</sup>	Roller Shaft	1
16	4806000015 <sup>†</sup>	Roller Shaft	1
17	7843000007 <sup>†</sup>	Spring	2
18	7660141600 <sup>†</sup>	Locknut	2
19	7949000034 <sup>†</sup>	Spacer	4
20	7754000022 <sup>†</sup>	Retaining Ring	8
21	7111141407 <sup>†</sup>	Bolt	2
22	7209000011 <sup>†</sup>	Bushing	8
23	7115181250	Capscrew	4
24	7660182601	Locknut	4

<sup>\*</sup> Available on Transporter Decks only

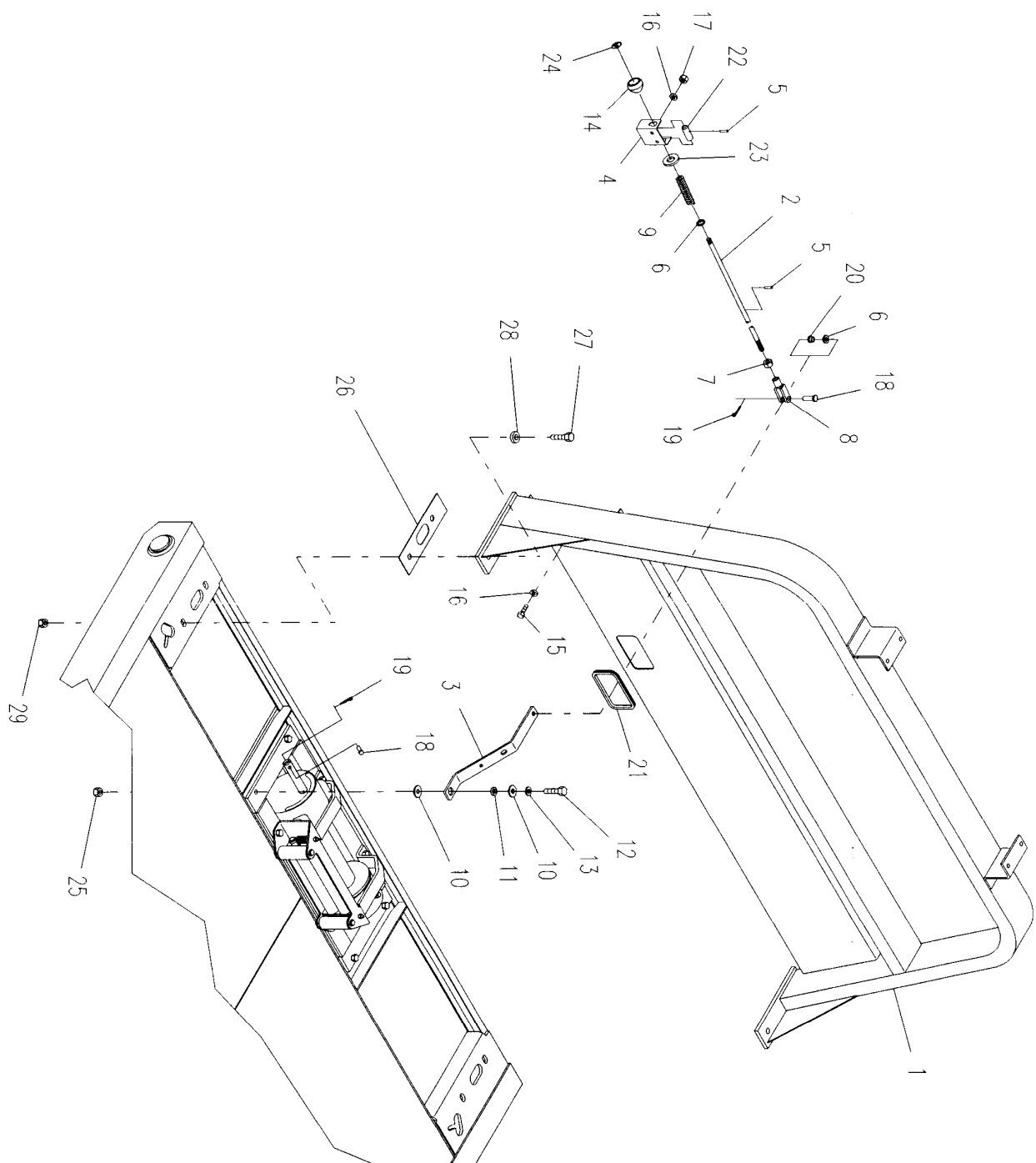
<sup>†</sup> Also Available in Assembly #3249000004



# WINCH & CABLE ROLLER GUIDE



STANDARD HEADBOARD & WINCH FREE SPOOL





**PARTS LIST — STANDARD HEADBOARD & WINCH FREE SPOOL**

Ref. No.	Part No.	Description	Qty.
1	3241000081	Standard Headboard (34.50")	1
	3241000082	Standard Headboard (40.50")	
	3241000083	Standard Headboard (45.50")	
	3241000084	Standard Headboard (52.50")	
2	4763000199 <sup>1</sup>	Rod	1
3	4706001955 <sup>1</sup>	Lever	1
4	4706001956 <sup>1</sup>	Bracket	1
5	7690051274 <sup>1</sup>	Spring Pin	2
6	7950180143 <sup>1</sup>	Flatwasher	2
7	7660180234 <sup>1</sup>	Nut	1
8	7990000011 <sup>1</sup>	Yoke	1
9	7843000023 <sup>1</sup>	Spring	1
10	7082000010 <sup>1</sup>	Nylon Washer	2
11	4209000146 <sup>1</sup>	Bushing	1
12	7115181650 <sup>1</sup>	Capscrew	1
13	7950180161 <sup>1</sup>	Flatwasher	1
14	7551000013 <sup>1</sup>	Knob	1
15	7115150850 <sup>1</sup>	Capscrew	2
16	7950150161 <sup>1</sup>	Flatwasher	4
17	7660152601 <sup>1</sup>	Locknut	2
18	7690182201 <sup>1</sup>	Clevis Pin	2
19	7690051611 <sup>1</sup>	Cotter Pin	2
20	7082000009 <sup>1</sup>	Bearing Flange	1
21	4632000009 <sup>1</sup>	Trim Lok	1
22	4209000147 <sup>1</sup>	Bushing	1
23	7949000030 <sup>1</sup>	Nylon Washer	1
24	7330000255 <sup>1</sup>	Decal	1
25	7660182301	Locknut	1
26	4796000037	Gasket	2
27	7105201650	Capscrew	4
28	7950200152	Flatwasher	4
29	7660200035	Nut	2

<sup>1</sup> Also Available in Assembly #2970000021

**PARTS LIST — DELUXE HEADBOARD & WINCH FREE SPOOL**

Ref. No.	Part No.	Description	Qty.
1	3241000085	Deluxe Headboard (34.50")	1
	3241000086	Deluxe Headboard (40.50")	
	3241000087	Deluxe Headboard (45.50")	
	3241000088	Deluxe Headboard (52.50")	
2	4763000199 <sup>1</sup>	Rod	1
3	4706001955 <sup>1</sup>	Lever	1
4	4706001956 <sup>1</sup>	Bracket	1
5	7690051274 <sup>1</sup>	Spring Pin	2
6	7950180143 <sup>1</sup>	Flatwasher	2
7	7660180234 <sup>1</sup>	Nut	1
8	7990000011 <sup>1</sup>	Yoke	1
9	7843000023 <sup>1</sup>	Spring	1
10	7082000010 <sup>1</sup>	Nylon Washer	2
11	4209000146 <sup>1</sup>	Bushing	1
12	7115181650 <sup>1</sup>	Cap screw	1
13	7950180161 <sup>1</sup>	Flatwasher	1
14	7551000013 <sup>1</sup>	Knob	1
15	7115150850 <sup>1</sup>	Cap screw	2
16	7950150161 <sup>1</sup>	Flatwasher	4
17	7660152601 <sup>1</sup>	Locknut	2
18	7690182201 <sup>1</sup>	Clevis Pin	2
19	7690051611 <sup>1</sup>	Cotter Pin	2
20	7082000009 <sup>1</sup>	Bearing Flange	1
21	4632000009 <sup>1</sup>	Trim Lok	1
22	4209000147 <sup>1</sup>	Bushing	1
23	7949000030 <sup>1</sup>	Nylon Washer	1
24	7330000255 <sup>1</sup>	Decal	1
25	7660182301	Locknut	1
26	4796000037	Gasket	2
27	7105201650	Cap screw	4
28	7950200152	Flatwasher	4
29	7660200035	Nut	2
30	3391000013	Screen (34.50")	1
	3391000014	Screen (40.50 & 45.50")	
	3391000015	Screen (52.50")	
31	4796000004	Gasket (34.50")	1
	4796000003	Gasket (40.50, 45.50, & 52.50")	
32	7759000013	Rivet	6

<sup>1</sup> Also Available in Assembly #2970000021

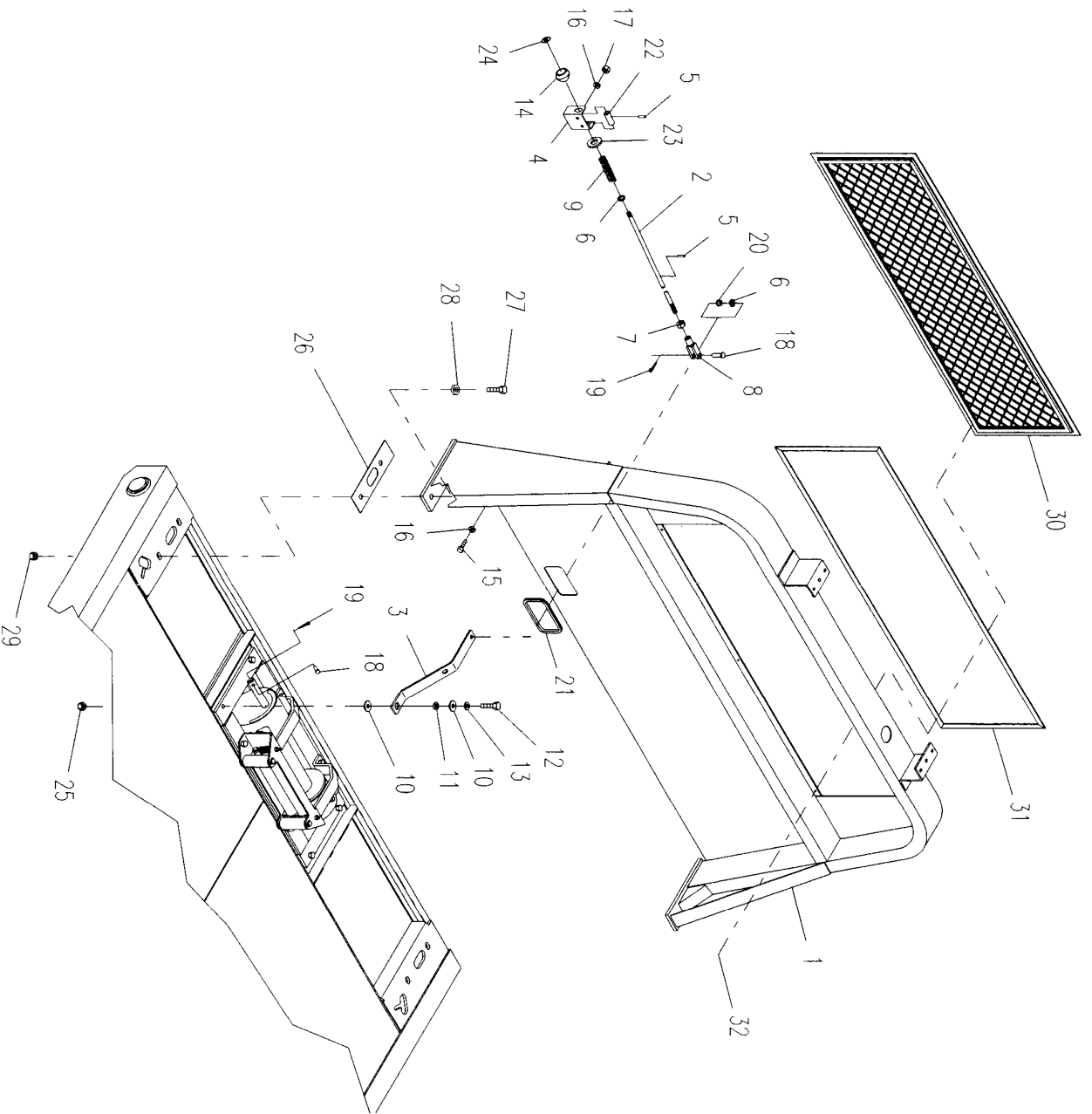


4.10

Rev. \_\_\_\_\_

Date \_\_\_\_\_

DELUXE HEADBOARD & WINCH FREE SPOOL



4.11

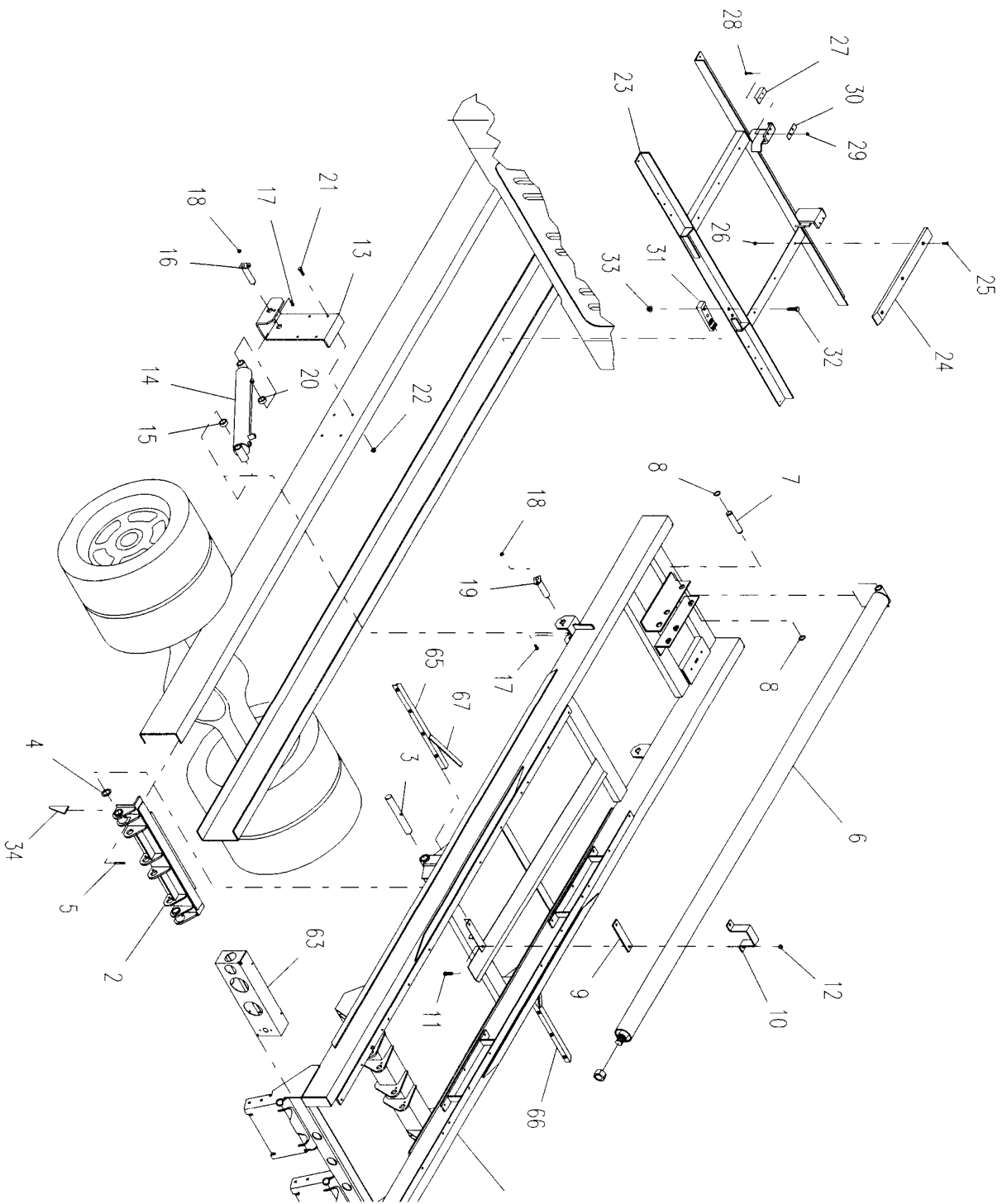
Rev. \_\_\_\_\_  
Date \_\_\_\_\_

**PARTS LIST — FINAL ASSEMBLY**

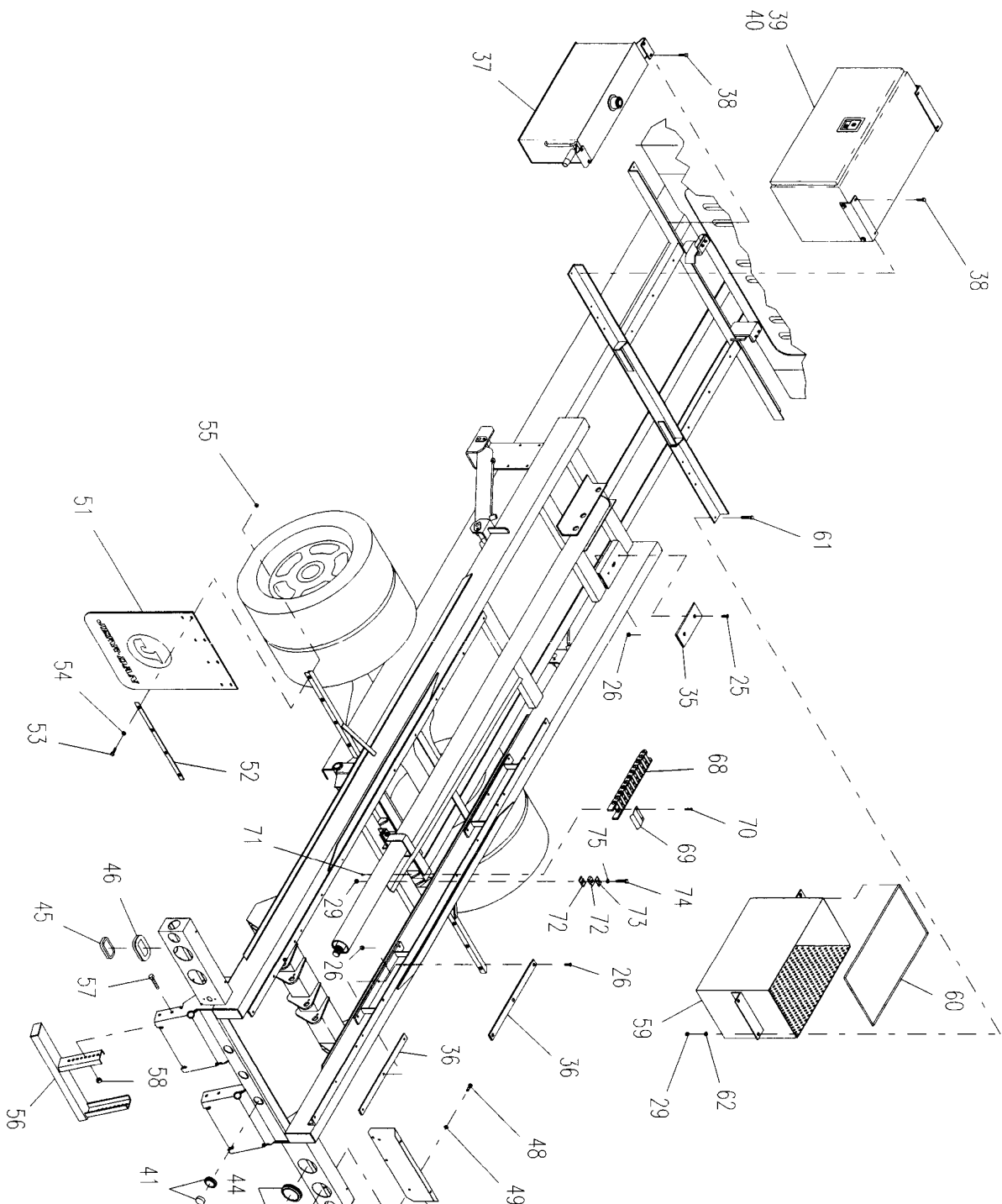
Ref. No.	Part No.	Description	Qty.	Ref. No.	Part No.	Description	Qty.
1	3868000178	Subframe	1	51	7638000004	Mud Flap	2
2	3905000004	Turnion	1	52	4706000233	Back Up Strip	2
3	4691000295	Pin	2	53	7111150813	Screw	8
4	7949000008	Washer	2	54	7950150000	Washer	8
5	7690164045	Spring Pin	2	55	7660150000	Nut	8
6	3320000074	Cylinder Assembly	1	56	3190000028	Bumper Tube - Short	2
7	4691000268	Pin	1		3190000030	Bumper Tube - Long	
8	7754000006	Retaining Flng	1	57	7115181064	Locknut	8
9	4679000166	Wear Pad	2	58	7660182601	Locknut	8
10	4178000308	Bracket	1	59	3899000053	Storage Basket	1
11	7115181450	Capcrew	1	60	4692000015	Moulding	1
12	7660181601	Locknut	2	61	7115150850	Capcrew	4
13	4178000305	Saddle	2	62	7950150161	Washer	4
14	3320000073	Cylinder Assy	2	63	3178000233	Light Box L.H.	1
15	4209000020	Bushing	2	64	3178000234	Light Box R.H.	1
16	3691000092	Pin	2	65	4017000825	Angle L.H.	1
17	7115160850	Capcrew	2	66	4017000826	Angle R.H.	1
18	7660162301	Flanged Locknut	4	67	4705000062	Brace	2
19	3691000166	Pin	4	68	4904000002	Cable Carrier	1
20	4209000093	Bushing	2	69	4706003038	Plate	1
21	7105181450	Capcrew	2	70	7114101618	Screw	2
22	760182333	Flanged Locknut	8	71	7660102604	Nut	2
23	3558000003	Hold Down	1	72	7274000038	Half Clamp	2
24	4679000153	Wear Pad	1	73	7274000039	Clamp Cover	1
25	7118161023	Capcrew	2	74	7115151650	Capcrew	1
26	76600162601	Locknut	46	75	7950150161	Washer	1
27	4679000167	Wear Pad	2				
28	7115151218	Capcrew	4				
29	7660152601	Locknut	4				
30	4812000059	Shim	5				
31	7274000046	Retaining Clamp	2				
32	7105201850	Capcrew	2				
33	7660202347	Locknut	8				
34	4497000358	Gusset	8				
35	4679000154	Wear Pad	2				
36	4679000145	Wear Pad	2				
37	3750000018	Oil Reservoir	12				
38	7790161253	Screw	1				
39	3899000050	Toolbox 36" with Steel Door	8				
40	3899000051	Toolbox 36" with Stainless Steel Door	1				
41	4679000033	Rubber Pad	1				
42	7590000079	Red Marker Light	3				
43	7590000009	Red Marker Light	4				
44	7590000002	Stop/Turn/Tail Light	2				
45	7590000003	Back-up Light	2				
46	7590000103	License Plate Light	1				
47	7493000010	Grommet	1				
48	4314000043	Cover	2				
49	7111140513	Screw	8				
50	7949000023	Washer	8				
	7661000019	U-Nut	8				



FINAL ASSEMBLY



FINAL ASSEMBLY



**PARTS LIST — DUAL CONTROLS**

Ref. No.	Part No.	Description	Qty.
1	3935000065	Control Valve (A)	1
	3935000066	Control Valve (B)	
	3935000067	Control Valve (C)	
	3935000068	Control Valve (D)	
2	4263000430	Channel (A,B,C)	1
	4263000433	Channel (D)	1
3	7111161050	Capscrew	4
4	7950160151	Washer	4
5	7660162601	Locknut	4
6	4263000431	Channel (A,B,C)	1
	4263000434	Channel (D)	1
7	7790151253	Screw	12
8	3560000005	Control Hood	2
9	7330000169	Control Panel Placard - LH (A,B,C)	1
	7330000219	Control Panel Placard - LH (D)	1
	7330000170	Control Panel Placard - RH (A,B,C)	1
10	7330000220	Control Panel Placard - RH (D)	1
	7759000004	Rivet	8
12	7590000087	Lamp	2
13	7790101276	Screw	4
14	4606000065	Lug	4
15	7111150864	Carriage Bolt	8
16	7950150000	Lock Washer	8
17	7660152601	Locknut (A)	17
	7660152601	Locknut (B)	20
	7660152601	Locknut (C)	23
	7660152601	Locknut (D)	26
18	3551000042	Handle (C,D)	2
19	3551000040	Handle (B,C,D)	2
20	3551000043	Handle (A,B,C)	2
	3551000044	Handle (D)	2
21	3551000045	Handle (D)	2
22	3551000039	Handle	2
23	3551000041	Handle	2
24	7082000005	Bushing (A)	12
	7082000005	Bushing (B)	16
	7082000005	Bushing (C)	20
	7082000005	Bushing (D)	24
25	7950220141	Washer	2
26	4691000141	Pin (A,B,C)	2
	4691000263	Pin (D)	2
27	7754000009	Retaining Ring	4
28	7551000003	Knob - Red	2
29	7551000002	Knob - Black (A)	4
	7551000002	Knob - Black (B)	6
	7551000002	Knob - Black (C)	8
	7551000002	Knob - Black (D)	10
30	3763000090	Control Rod (A)	3
	3763000090	Control Rod (B)	4
	3763000090	Control Rod (C)	5
	3763000090	Control Rod (D)	6



4.15

Rev. \_\_\_\_\_  
Date \_\_\_\_\_

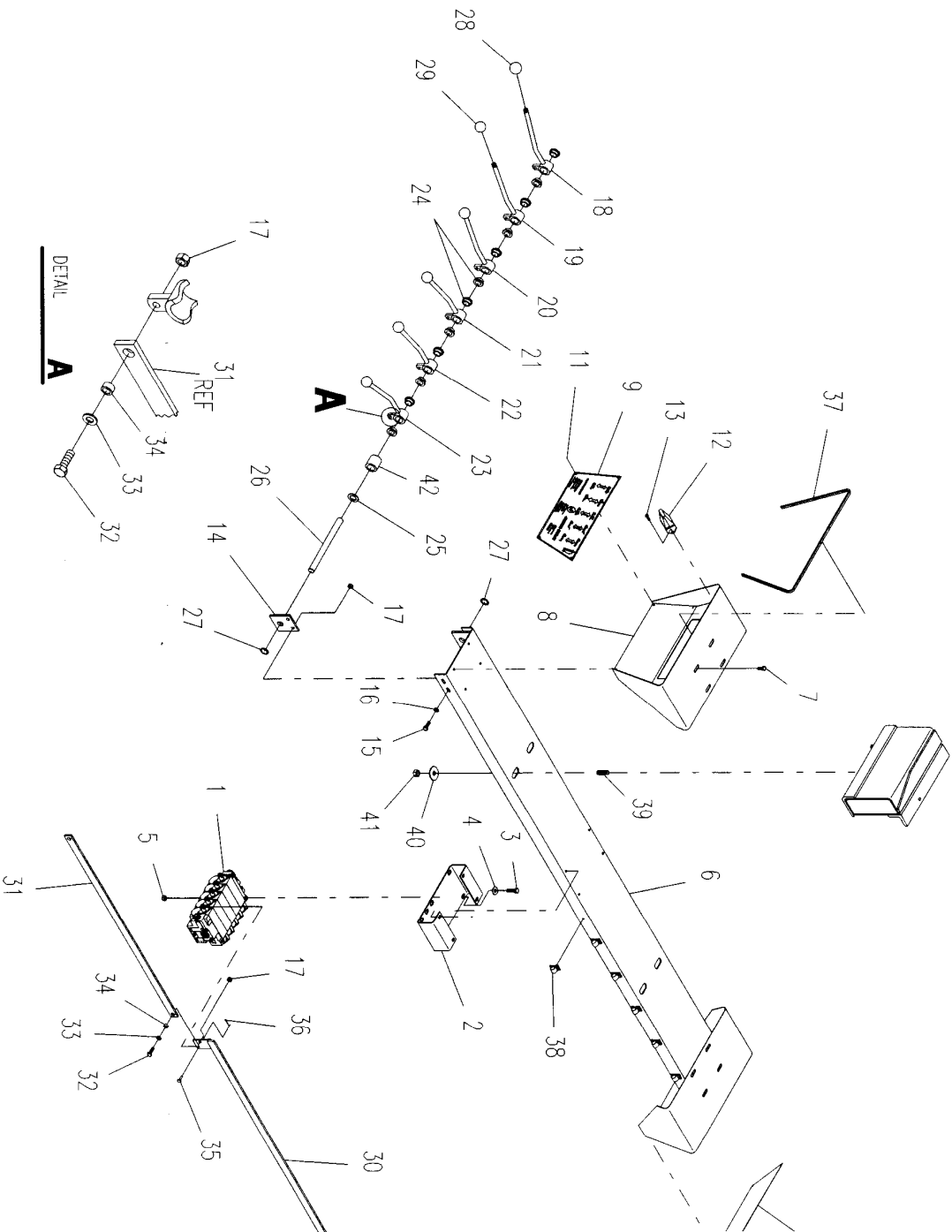
**PARTS LIST — DUAL CONTROLS**

Ref. No.	Part No.	Description	Qty.
31	4763000210	Control Rod (A)	3
	4763000210	Control Rod (B)	4
	4763000210	Control Rod (C)	5
	4763000210	Control Rod (D)	6
32	7115150850	Capscrew (A)	9
	7115150850	Capscrew (B)	12
	7115150850	Capscrew (C)	15
	7115150850	Capscrew (D)	18
33	7949000011	Washer (A)	9
	7949000011	Washer (B)	12
	7949000011	Washer (C)	15
	7949000011	Washer (D)	18
34	4831000069	Spacer (A)	9
	4931000069	Spacer (B)	12
	4831000069	Spacer (C)	15
	4831000069	Spacer (D)	18
35	7690101200	Clevis Pin (A)	3
	7690101200	Clevis Pin (B)	4
	7690101200	Clevis Pin (C)	5
	7690101200	Clevis Pin (D)	6
36	7690000810	Cotter Pin (A)	3
	7960000810	Cotter Pin (B)	4
	7690000810	Cotter Pin (C)	5
	7690000810	Cotter Pin (D)	6
37	4632000004	Moulding	2
38	7280000007	Wire Clip	11
39	7866184240	Stud	4
40	7950180161	Washer	4
41	7660181601	Locknut	4
42	4209000021	Bushing (A)	2
	4209000021	Bushing (B)	4

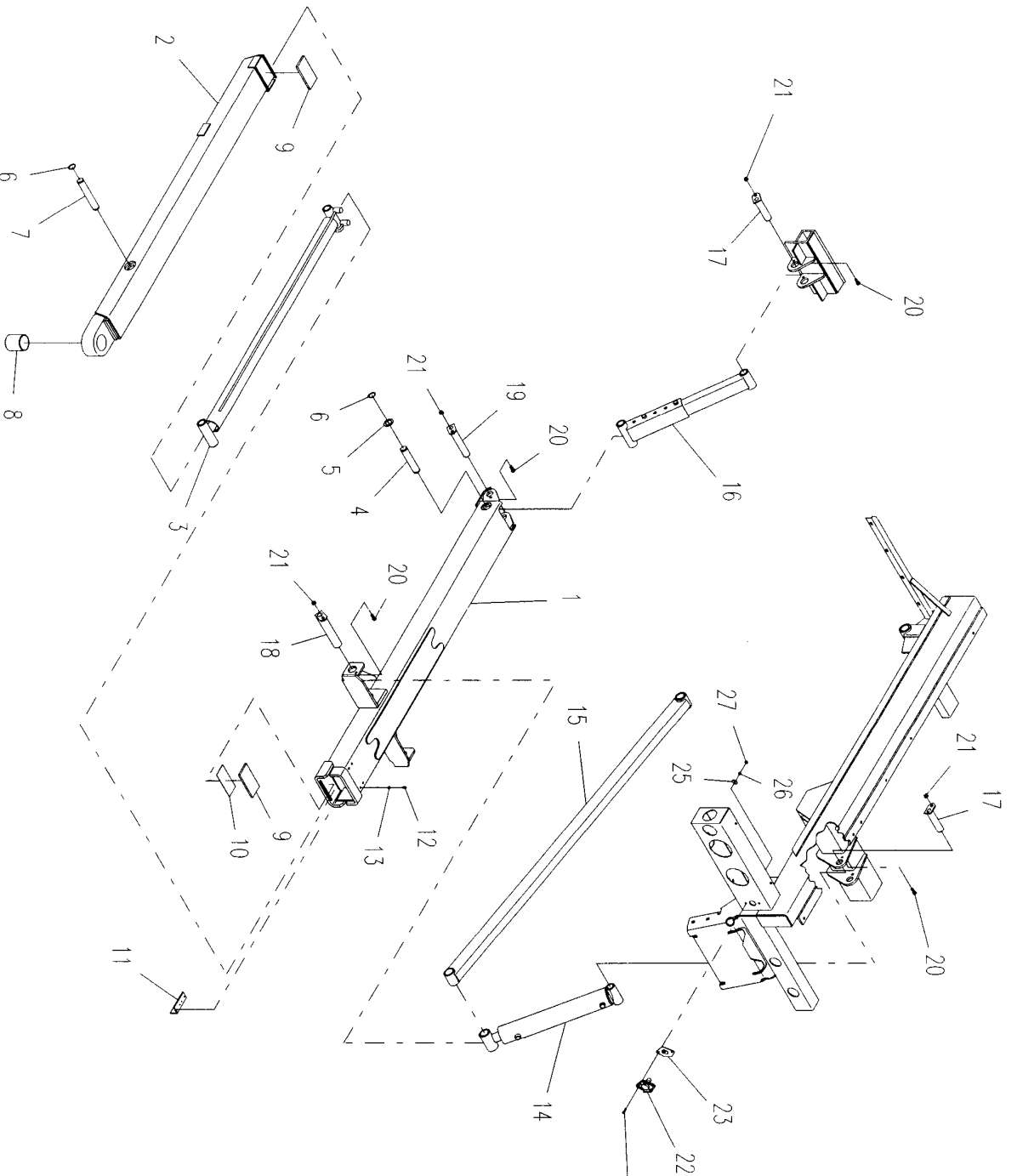
A - Application with 3 Bank Valve  
 B - Application with 4 Bank Valve  
 C - Application with 5 Bank Valve  
 D - Application with 6 Bank Valve



DUAL CONTROLS



3000# IRL WHEELLIFT



**PARTS LIST — 3000# IRL WHEELLIFT**

Ref. No.	Part No.	Description	Qty.
1	3170000162	Outer Boom Weldment	1
2	3911000046	Inner Boom Weldment	1
3	3320000064	Cylinder Assembly	1
4	4691000268	Pin	1
5	7919000026	Washer	2
6	7754000006	Retaining Ring	4
7	4691000296	Pin	1
8	7209000030	Bushing	1
9	4679000046	Wear Pad	2
10	4706002195	Plate	1
11	4017000739	Angle	2
12	7118140418	Capscrew	4
13	7950100151	Washer	4
14	3320000069	Cylinder Assembly	2
15	3020000057	Arm Weldment	2
16	3592000027	Adjustable Link	1
17	3691000164	Pin	2
18	3691000073	Pin	3
19	3691000069	Pin	1
20	7115160850	Capscrew	6
21	7660162301	Locknut	6
22	7291000003	Receptacle	1
23	7796000048	Gasket	1
24	7111140613	Screw	2
25	7950140161	Washer	2
26	7950140000	Lockwasher	2
27	7660140000	Nut	2



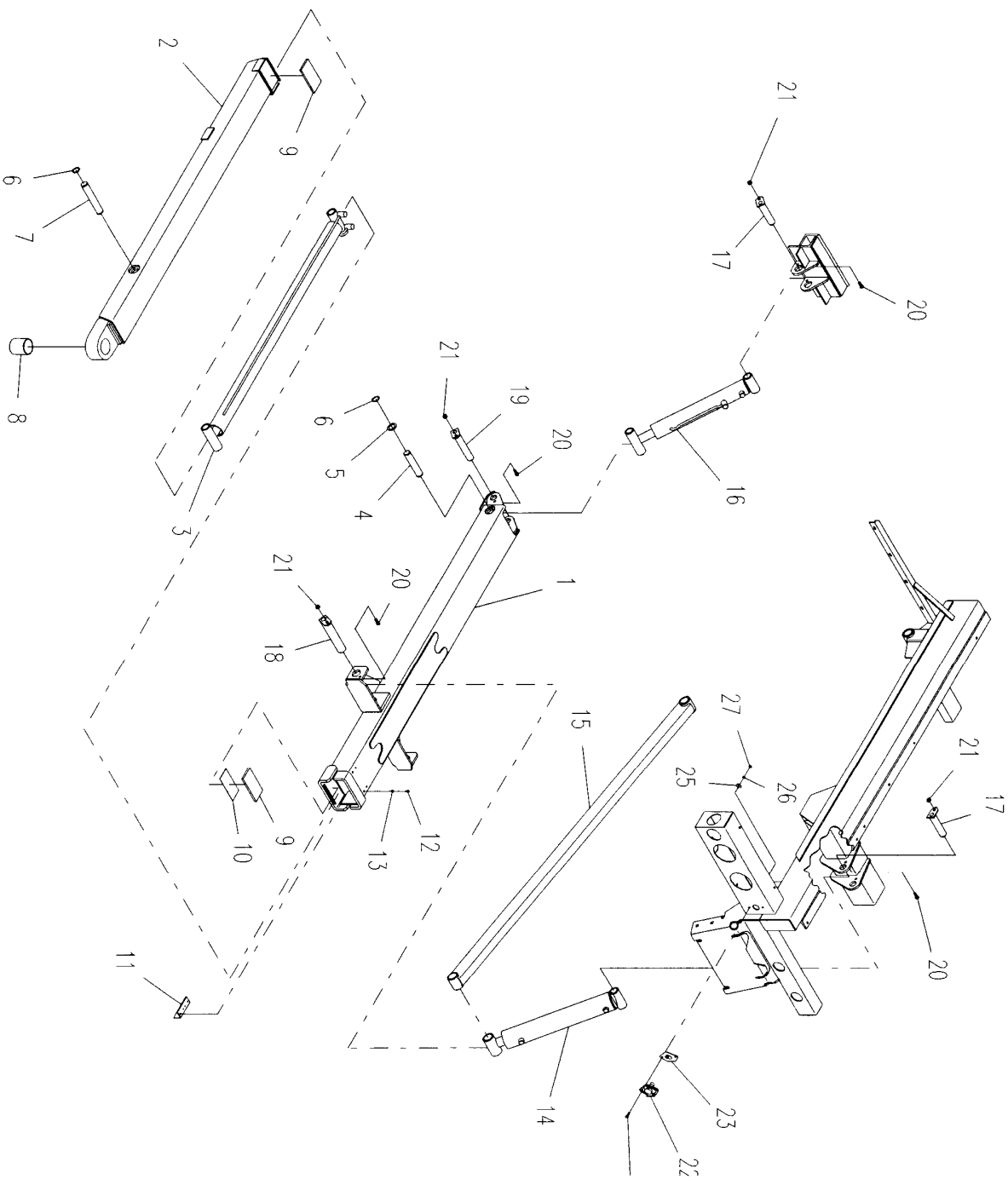
4.19

Rev. \_\_\_\_\_  
Date \_\_\_\_\_

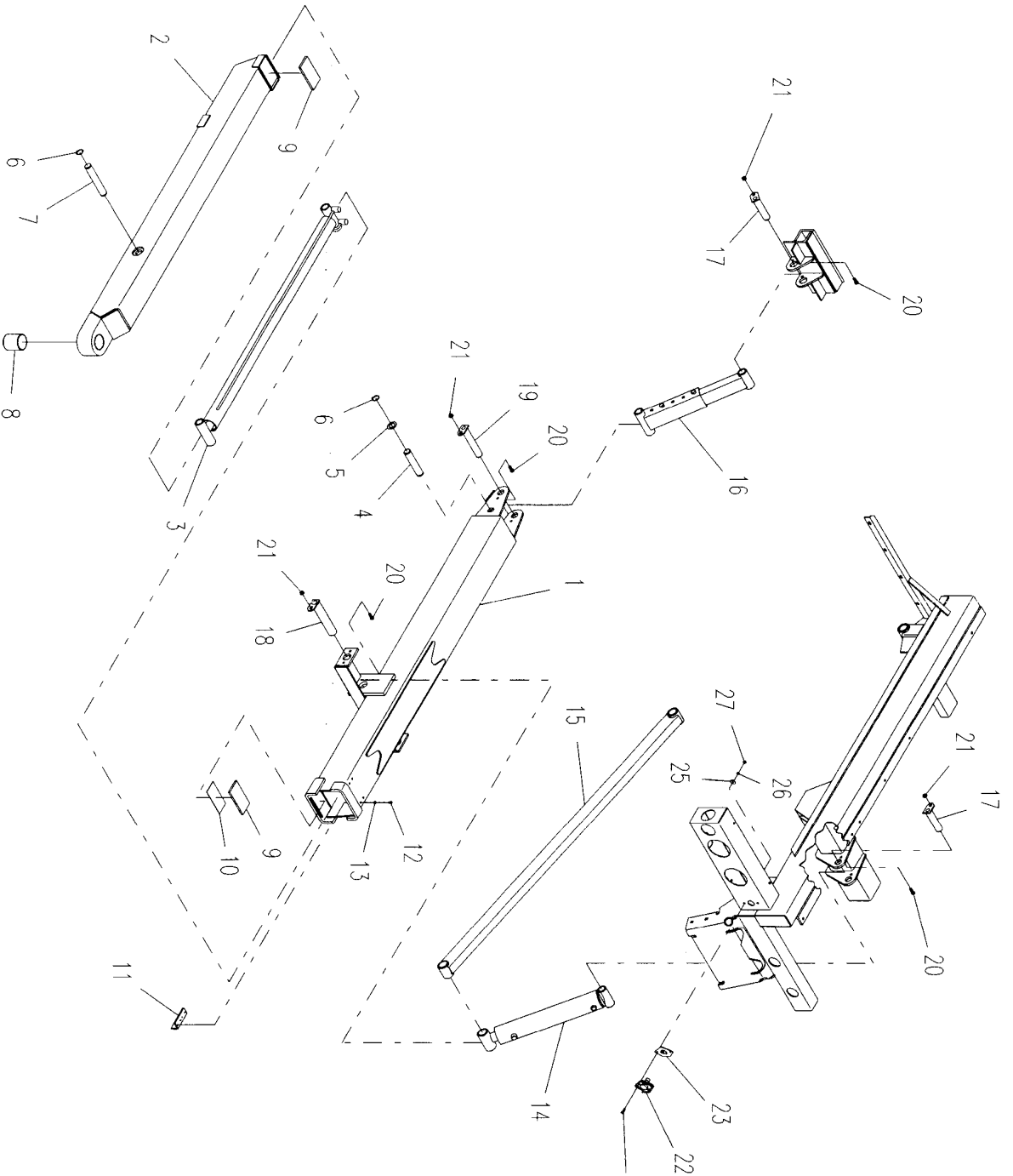
**PARTS LIST — 3000# ZOD WHEELIFT**

Ref. No.	Part No.	Description	Qty.
1	3170000162	Outer Boom Weldment	1
2	3911000046	Inner Boom Weldment	1
3	3320000064	Cylinder Assembly	1
4	4691000268	Pin	1
5	7919000026	Washer	2
6	7754000006	Retaining Ring	4
7	4691000296	Pin	1
8	7209000030	Bushing	1
9	4679000046	Wear Pad	2
10	4706002195	Plate	1
11	4017000739	Angle	2
12	7118140418	Capscrew	4
13	7950100151	Washer	4
14	3320000069	Cylinder Assembly	2
15	3020000057	Arm Weldment	2
16	3320000070	Cylinder Assembly	1
17	3691000164	Pin	2
18	3691000073	Pin	3
19	3691000069	Pin	1
20	7115160850	Capscrew	6
21	7660162301	Locknut	6
22	7291000003	Receptacle	1
23	7796000048	Gasket	1
24	7111140613	Screw	2
25	7950140161	Washer	2
26	7950140000	Lockwasher	2
27	7660140000	Nut	2

3000# ZOD WHEELLIFT



4000# IRL WHEELLIFT



**PARTS LIST — 4000# IRL WHEELLIFT**

<b>Ref. No.</b>	<b>Part No.</b>	<b>Description</b>	<b>Qty.</b>
1	3170000163	Outer Boom Weldment	1
2	3170000164	Inner Boom Weldment	1
3	3320000064	Cylinder Assembly	1
4	4691000268	Pin	1
5	7919000026	Washer	2
6	7754000006	Retaining Ring	4
7	4691000296	Pin	1
8	7209000028	Bushing	1
9	4679000046	Wear Pad	2
10	4706002195	Plate	1
11	4017000739	Angle	2
12	7118140418	Capscrew	4
13	7950100151	Washer	4
14	3320000071	Cylinder Assembly	2
15	3020000058	Arm Weldment	2
16	3592000029	Adjustable Link	1
17	3691000164	Pin	2
18	3691000073	Pin	3
19	3691000069	Pin	1
20	7115160850	Capscrew	6
21	7660162301	Locknut	6
22	7291000003	Receptacle	1
23	7796000048	Gasket	1
24	7111140613	Screw	2
25	7950140161	Washer	2
26	7950140000	Lockwasher	2
27	7660140000	Nut	2



4.23

Rev. \_\_\_\_\_  
Date \_\_\_\_\_

**PARTS LIST — 3000# WHEELLIFT GRID ASSEMBLY**

<b>Ref. No.</b>	<b>Part No.</b>	<b>Description</b>	<b>Qty.</b>
1	3913000057	Pivot Tube (A)	1
	3913000056	Pivot Tube (B)	
2	4691000278	Pin	1
3	4949000047	Washer	2
4	7754000024	Retaining Ring	1
5	3484000034	Grid Weldment - RH	1
6	3484000035	Grid Weldment - LH	1
7	3020000072	L-Arm	2
8	3551000036	T-Handle	2
9	7894000034	Ratchet and Strap	2

A - IRL Wheelift  
B - ZOD Wheelift

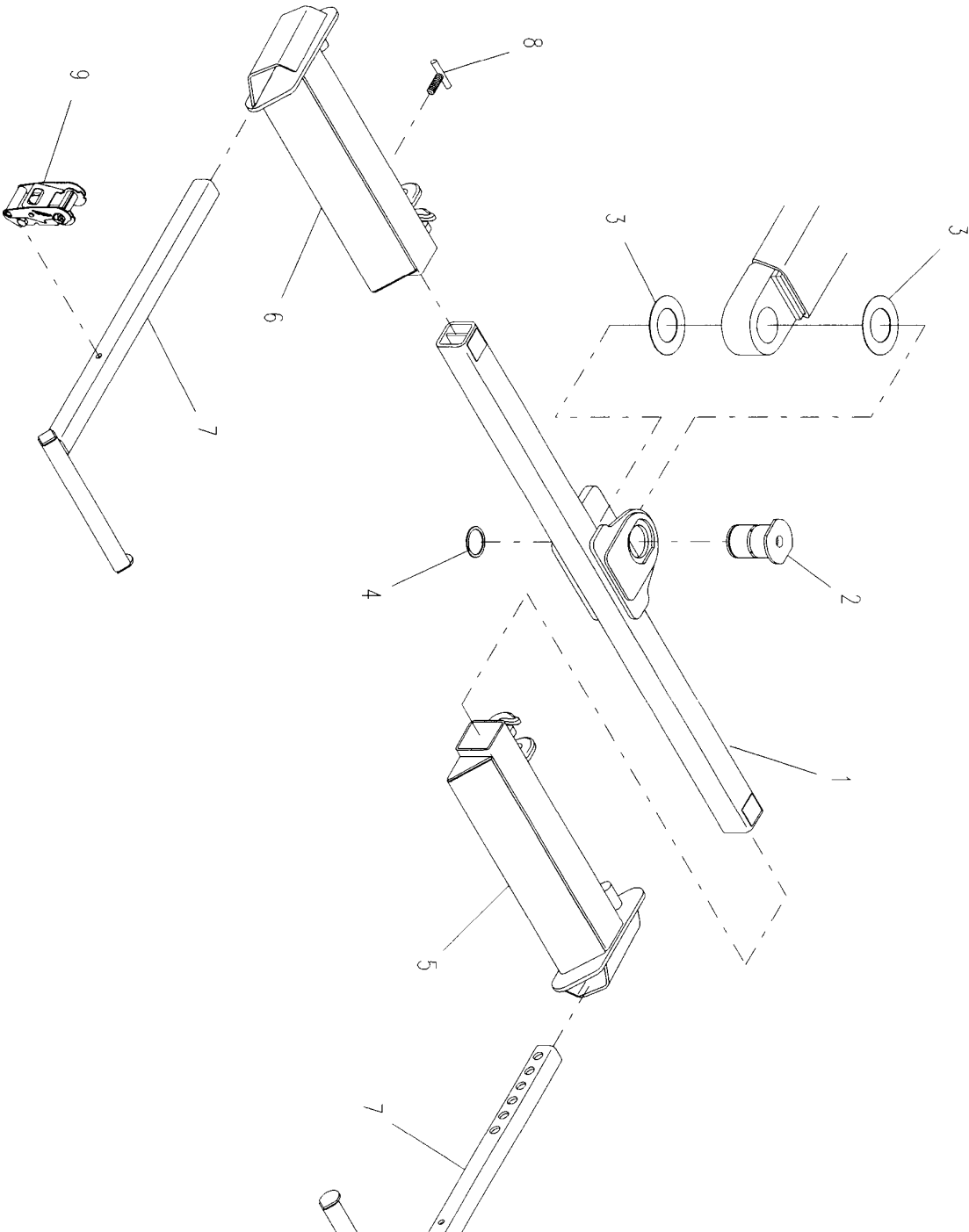


4.24

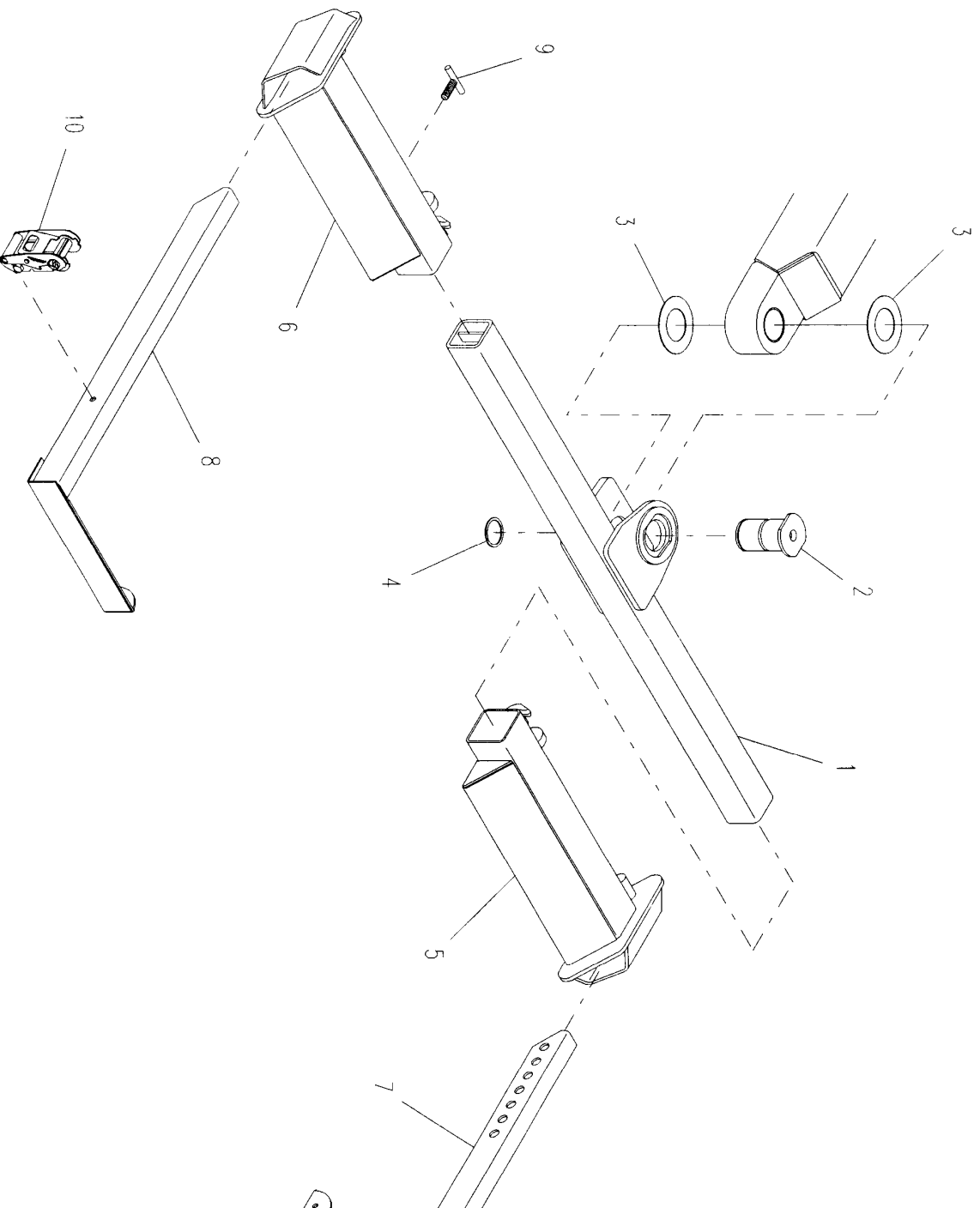
Rev. \_\_\_\_\_  
Date \_\_\_\_\_



3000# WHEELLIFT GRID ASSEMBLY



4000# WHEELLIFT GRID ASSEMBLY



**PARTS LIST — 4000# WHEELLIFT GRID ASSEMBLY**

<b>Ref. No.</b>	<b>Part No.</b>	<b>Description</b>	<b>Qty.</b>
1	3913000061	Pivot Tube	1
2	4691000103	Pin	1
3	4949000047	Washer	2
4	7754000024	Retaining Ring	1
5	3484000030	Grid Weldment - RH	1
6	3484000031	Grid Weldment - LH	1
7	3020000038	L-Arm - RH	1
8	3020000037	L-Arm - LH	1
9	3551000036	T-Handle	2
10	7894000034	Ratchet and Strap	2



4.27

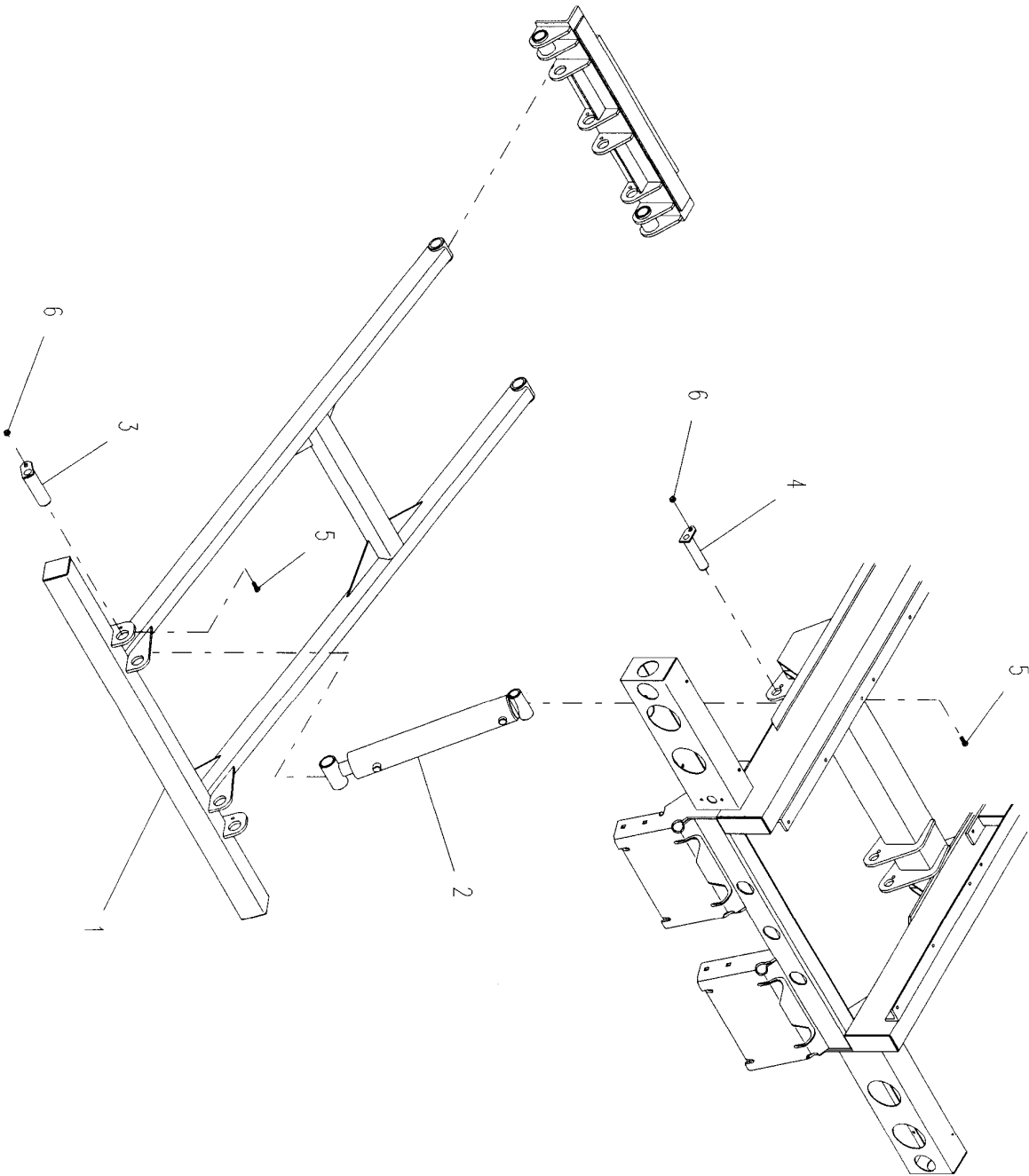
Rev. \_\_\_\_\_  
Date \_\_\_\_\_

---

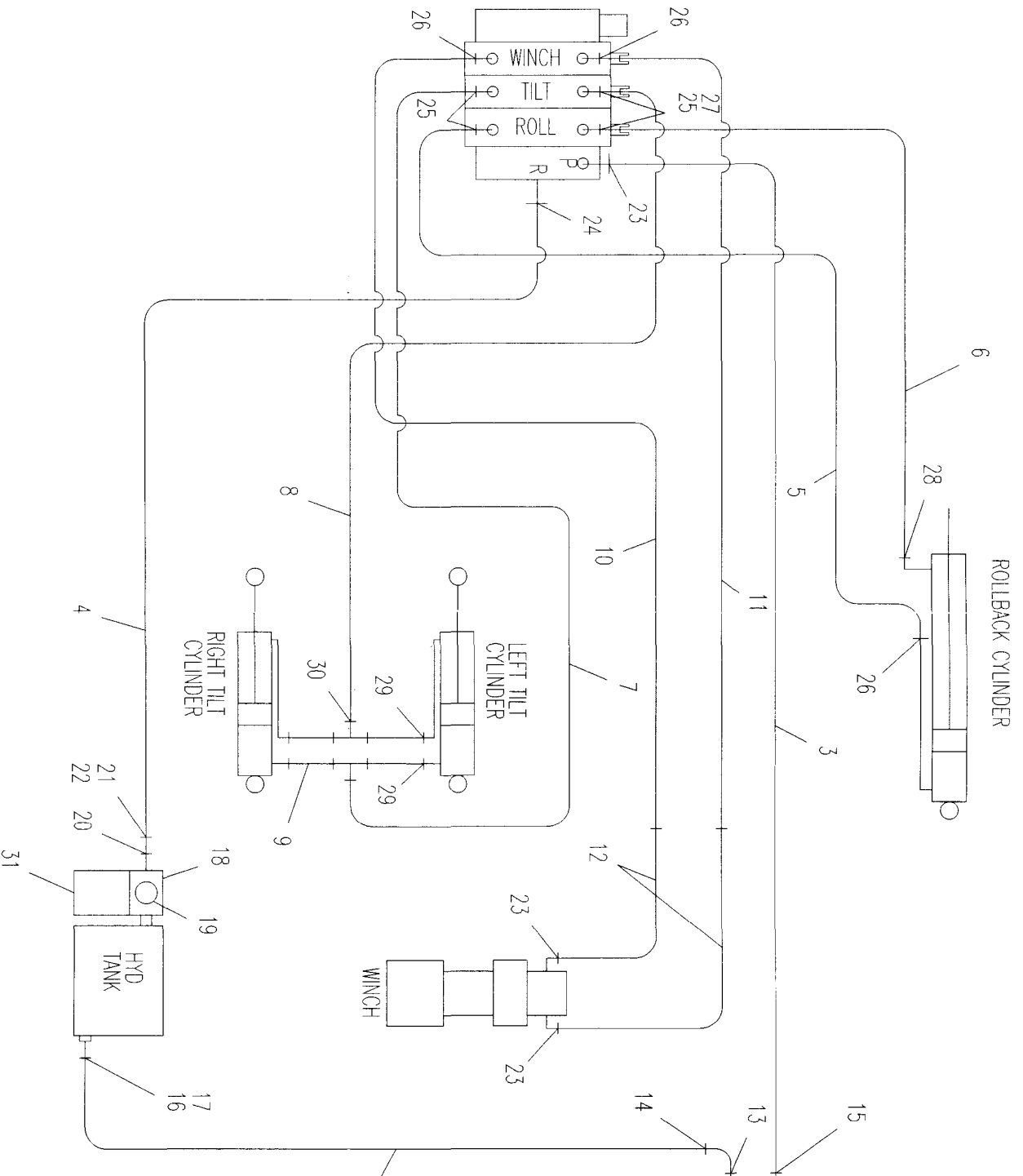
**PARTS LIST — HYDRAULIC REAR DOCK STABILIZER**

<b>Ref. No.</b>	<b>Part No.</b>	<b>Description</b>	<b>Qty.</b>
1	3849000010	Stabilizer Arm	1
2	3320000069	Cylinder Assembly	2
3	3691000165	Pin	2
4	3691000073	Pin	2
5	7115160850	Capscrew	4
6	7660162301	Locknut	4

# HYDRAULIC REAR DOCK STABILIZER



# HYDRAULIC COMPONENTS



4.30

Rev. \_\_\_\_\_  
Date \_\_\_\_\_

**PARTS LIST — HYDRAULIC COMPONENTS**

Ref. No.	Part No.	Description	Qty.
1	7724000021	Pump	1
2	4570000112	Hose	1
3	4567130226	Hose Assembly (A)	1
	4567130238	Hose Assembly (B)	
	4567130244	Hose Assembly (C)	
	4567130248	Hose Assembly (D)	
	4567130256	Hose Assembly (E)	
4	4570000101	Hose (A)	1
	4570000102	Hose (B)	
	4570000113	Hose (C)	
	4570000114	Hose (D)	
	4570000115	Hose (E)	
5	4567123047	Hose Assembly	1
6	4567122047	Hose Assembly	1
7	4567123104	Hose Assembly	1
8	4567122100	Hose Assembly	1
9	4567120020	Hose Assembly	4
10	4569433122	Hose Assembly	1
11	4569432122	Hose Assembly	1
12	4567430129	Hose Assembly (A,B)	2
	4567430153	Hose Assembly (C,D,E)	
13	7445081643	Adapter	1
14	7443000023	Elbow	1
15	7443000101	Adapter	1
16	7443000013	Nipple	1
17	7274000002	Clamp	1
18	7430000003	Filter Head and Element	1
19	7470000002	Gauge	1
20	7445161250	Reducer	1
21	7443000169	Adapter	1
22	7274000047	Clamp	1
23	7445081045	Elbow	3
24	7443000168	Adapter	1
25	7445060843	Adapter	4
26	7445080843	Adapter	3
27	7443000196	Restrictor	2
28	7445080845	Elbow	1
29	7445060645	Elbow	4
30	7445060637	Tee	2
31	7431000001	Filter Element	1

- A - 22' Deck, 138" CA Chassis
- B - 22' Deck, 150" CA Chassis
- C - 24' Deck, 156" CA Chassis
- D - 24' Deck, 160" CA Chassis
- E - 24' Deck, 168" CA Chassis

**JERR-DAN**

An Oshkosh Truck Corporation Company

4.31

Rev. \_\_\_\_\_

Date \_\_\_\_\_

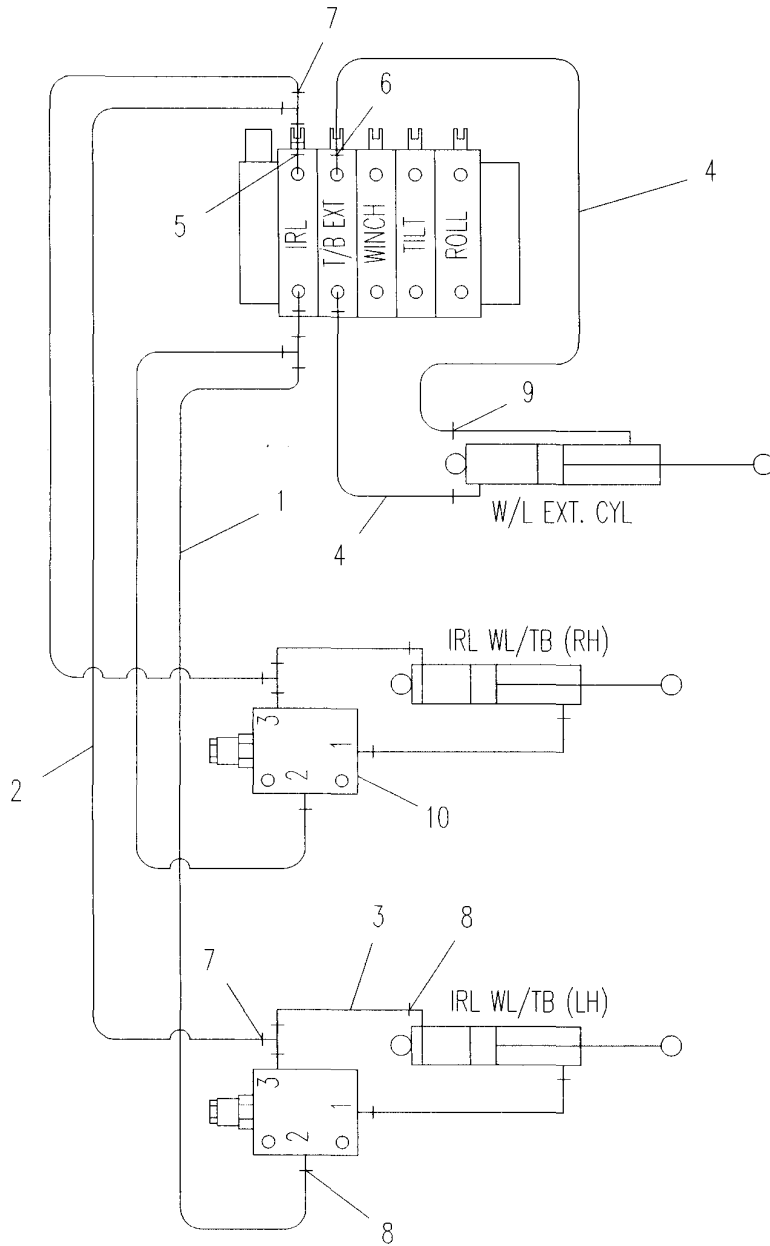
---

**PARTS LIST — HYDRAULIC COMPONENTS - IRL WHEELLIFT**

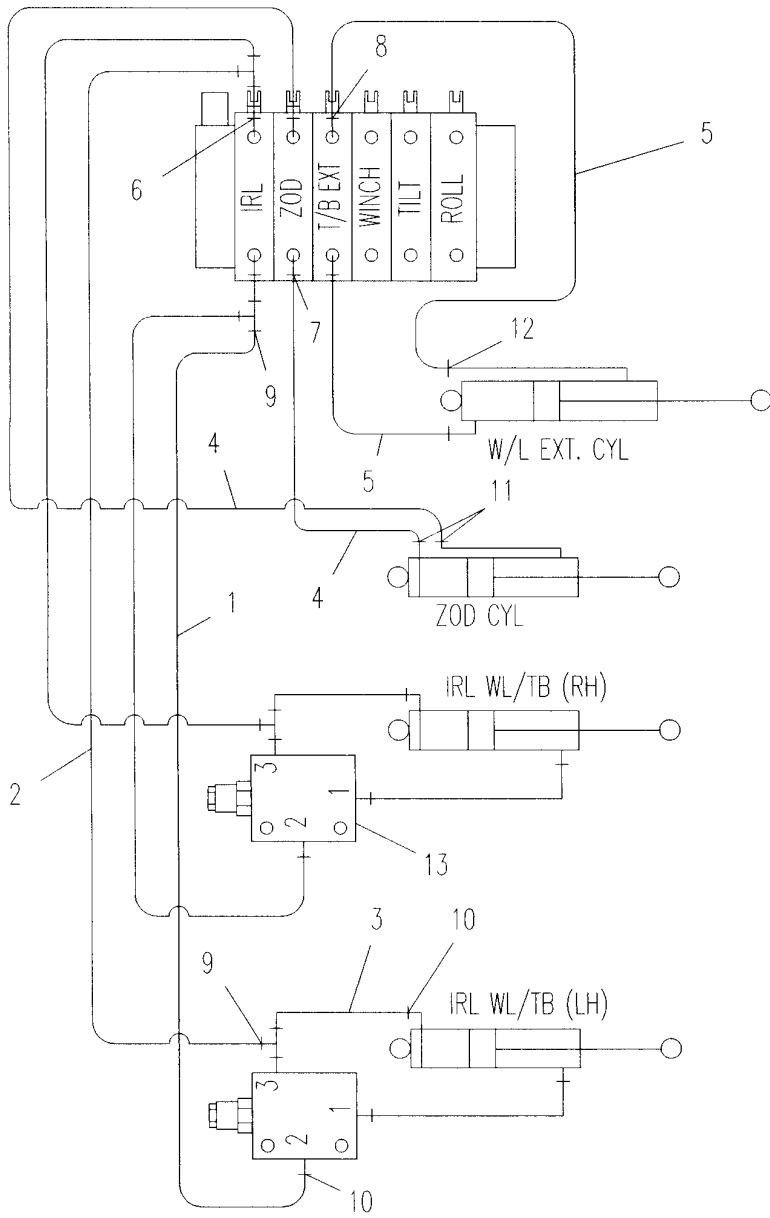
<b>Ref. No.</b>	<b>Part No.</b>	<b>Description</b>	<b>Qty.</b>
1	4567122043	Hose Assembly	2
2	4567123045	Hose Assembly	2
3	4567122013	Hose Assembly	2
4	4567110019	Hose Assembly	2
5	7443000129	Reducer	2
6	7443040643	Adapter	2
7	7445060648	Tee	4
8	7445060645	Elbow	4
9	7445040446	Elbow	2
10	7935000183	Counter Balance Valve	2



**HYDRAULIC COMPONENTS - IRL WHEELIFT**



# HYDRAULIC COMPONENTS - ZOD WHELLIFT



---

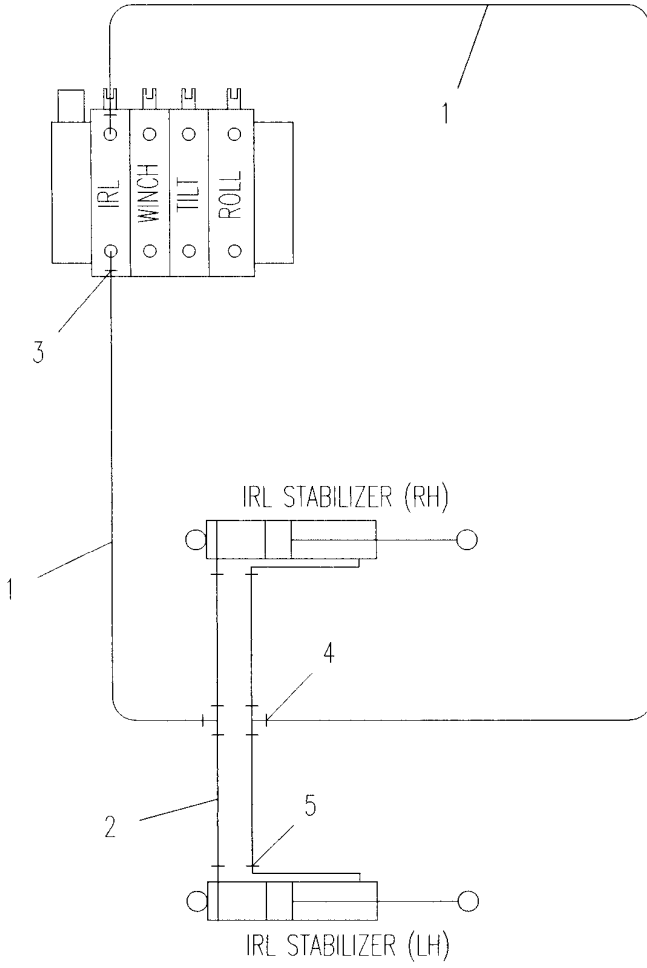
**PARTS LIST — HYDRAULIC COMPONENTS - ZOD WHEELIFT**

<b>Ref. No.</b>	<b>Part No.</b>	<b>Description</b>	<b>Qty.</b>
1	4567122043	Hose Assembly	2
2	4567123045	Hose Assembly	2
3	4567122013	Hose Assembly	2
4	4567122030	Hose Assembly	2
5	4567110034	Hose Assembly	2
6	7443000129	Reducer	2
7	7445060843	Adapter	2
8	7443040643	Adapter	2
9	7445060648	Tee	4
10	7445060645	Elbow	2
11	7445060643	Adapter	2
12	7445040446	Elbow	2
13	7935000183	Counter Balance Valve	2

**PARTS LIST — HYDRAULIC COMPONENTS - STABILIZER**

<b>Ref. No.</b>	<b>Part No.</b>	<b>Description</b>	<b>Qty.</b>
1	4567122035	Hose Assembly	2
2	4567120019	Hose Assembly	4
3	7445060843	Adapter	2
4	7445060637	Tee	2
5	7445060645	Elbow	2

# HYDRAULIC COMPONENTS - STABILIZER

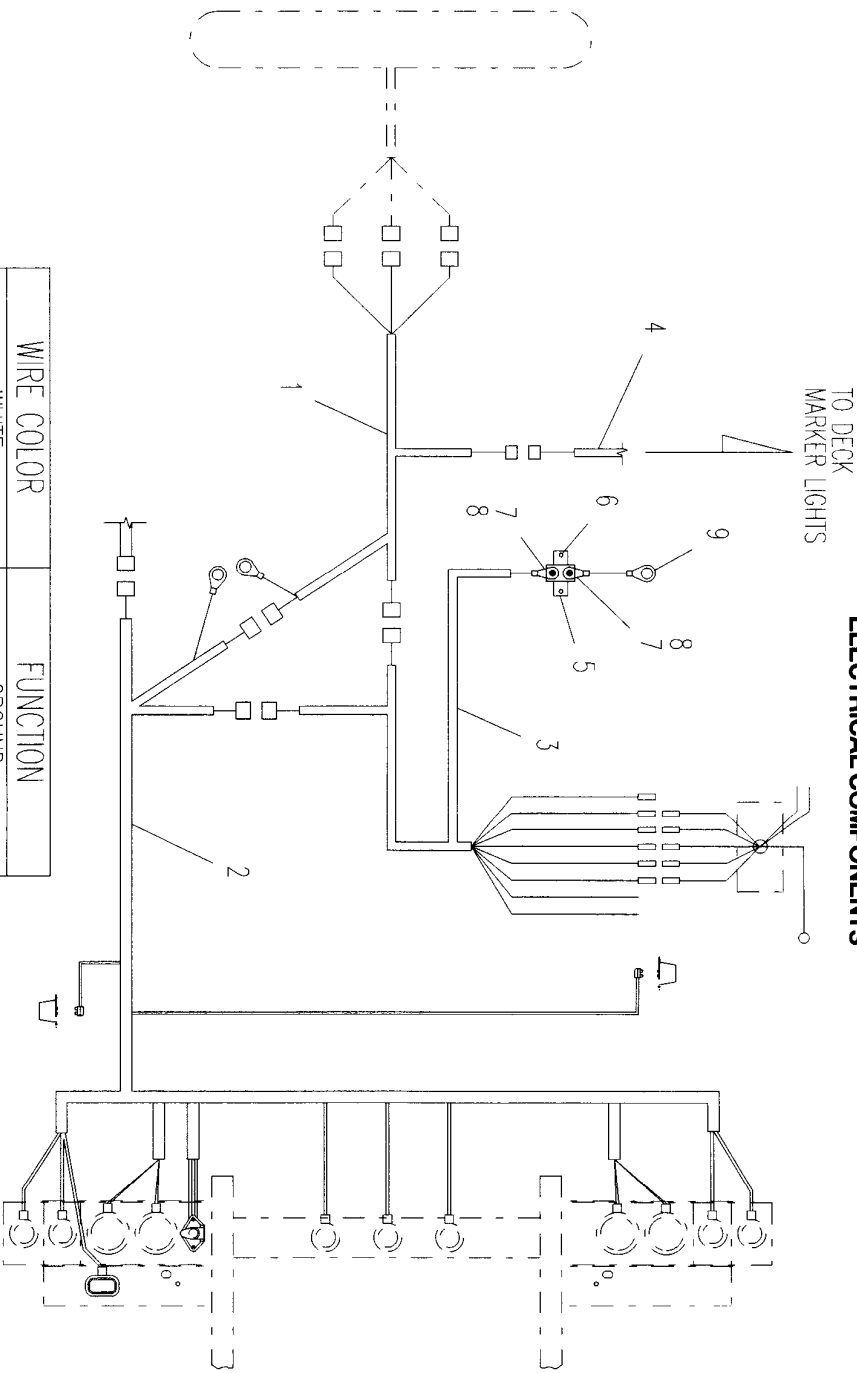


---

**PARTS LIST — ELECTRICAL COMPONENTS**

<b>Ref. No.</b>	<b>Part No.</b>	<b>Description</b>	<b>Qty.</b>
1	7552000098	Wiring Harness - Subframe/Deck	1
2	7552000135	Wiring Harness - Subframe	1
3	7552000065	Wiring Harness - Subframe/Cab	1
4	7552000179	Wiring Harness - Deck	1
5	7457000004	Breaker	1
6	7790100856	Screw	2
7	7345221902	Terminal	2
8	7950100151	Washer	2
9	7345241902	Terminal	1

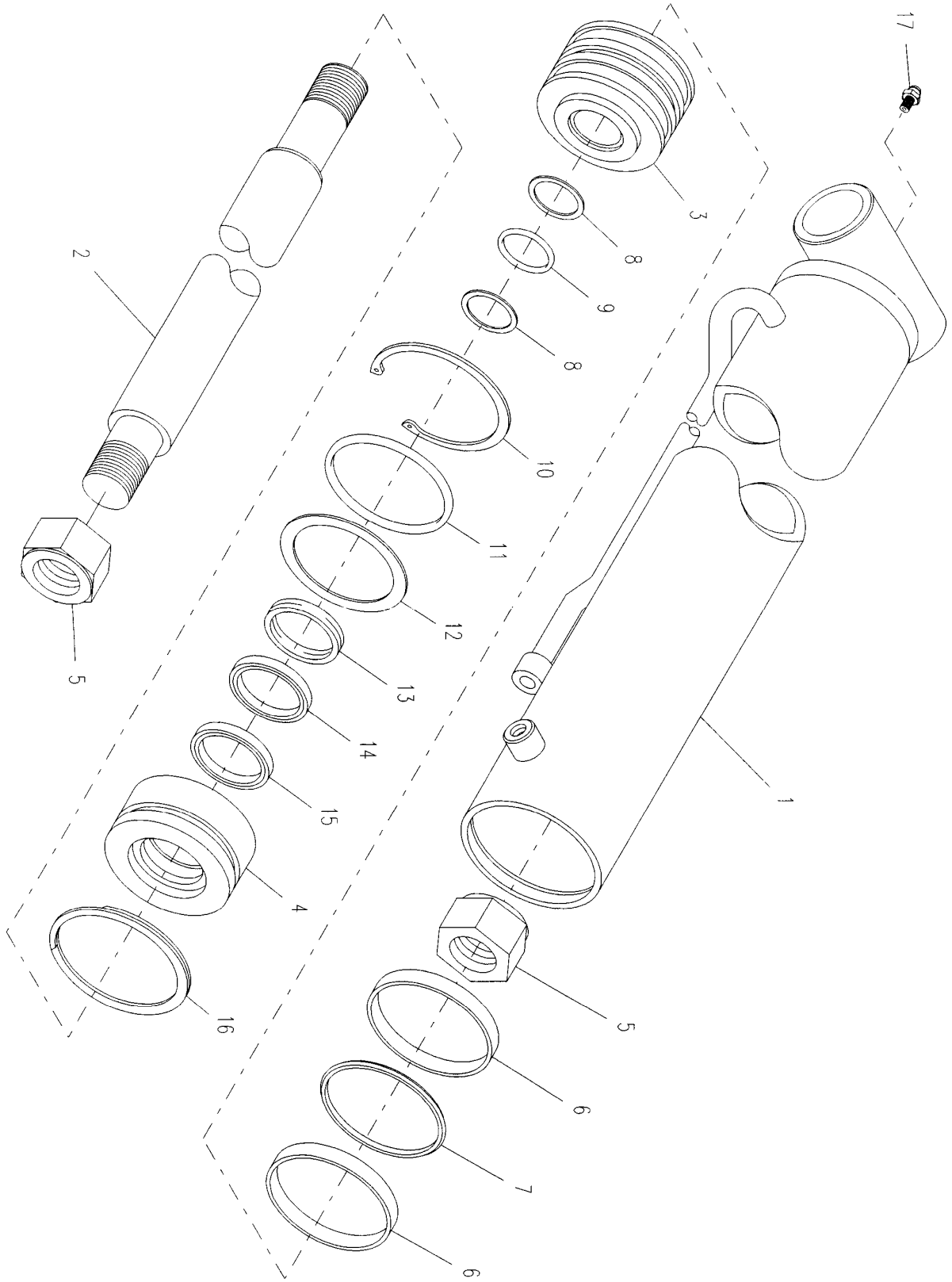
**ELECTRICAL COMPONENTS**



WIRE COLOR	FUNCTION
WHITE	GROUND
BROWN	CLEARANCE
GREEN	RH STOP/TURN
YELLOW	LH STOP/TURN
BLACK	BACK-UP
BLUE	AUX
PURPLE	FLOOD
GRAY	BEACON (ROTATOR)
ORANGE	AUX1 (FLASHER)
LT BLUE/BLACK	OPTIONAL
LT BLUE	AUX2
RED	AUX POWER

ROLLBACK CYLINDER

332000074





**PARTS LIST — ROLLBACK CYLINDER**

**3320000074**

<b>Ref. No.</b>	<b>Part No.</b>	<b>Description</b>	<b>Qty.</b>
1	3071000068	Barrel Weldment	1
2	4763000093	Rod	1
3	4698000009	Piston	1
4	4553000010	Head	1
5	7660342031	Locknut	2
6	7796000013*	Wear Ring	2
7	7796000064*	Locking "T" Seal	1
8	7755226609*	Back-up Ring	2
9	7755226000*	"O" Ring	1
10	7754000016*	Retaining Ring	1
11	7755338000*	"O" Ring	1
12	7755338609*	Back-up Ring	1
13	7754000012*	Wear Ring	1
14	7796000025*	Rod Seal	1
15	7796000011*	Rod Wiper Seal	1
16	7754000027*	Retaining Ring	1
17	7440030000	Grease Fitting	1

\*Available only in Service Kit #7577250025



4.41

Rev. \_\_\_\_\_  
Date \_\_\_\_\_

**PARTS LIST — TILT CYLINDER**

**3320000073**

<b>Ref. No.</b>	<b>Part No.</b>	<b>Description</b>	<b>Qty.</b>
1	3071000069	Barrel Weldment	1
2	3763000032	Rod Weldment	1
3	4698000007	Piston	1
4	4553000008	Head	1
5	7660262031	Locknut	1
6	7754000003*	Wear Ring	2
7	7796000063*	Locking "T" Seal	1
8	7755224609*	Back-up Ring	2
9	7755224000*	"O" Ring	1
10	7754000002*	Retaining Ring	1
11	7755334000*	"O" Ring	1
12	7755334609*	Back-up Ring	1
13	7754000004*	Wear Ring	1
14	7796000024*	Rod Seal	1
15	7796000008*	Rod Wiper Seal	1
16	7754000026*	Retaining Ring	1
17	7440030000	Grease Fitting	2

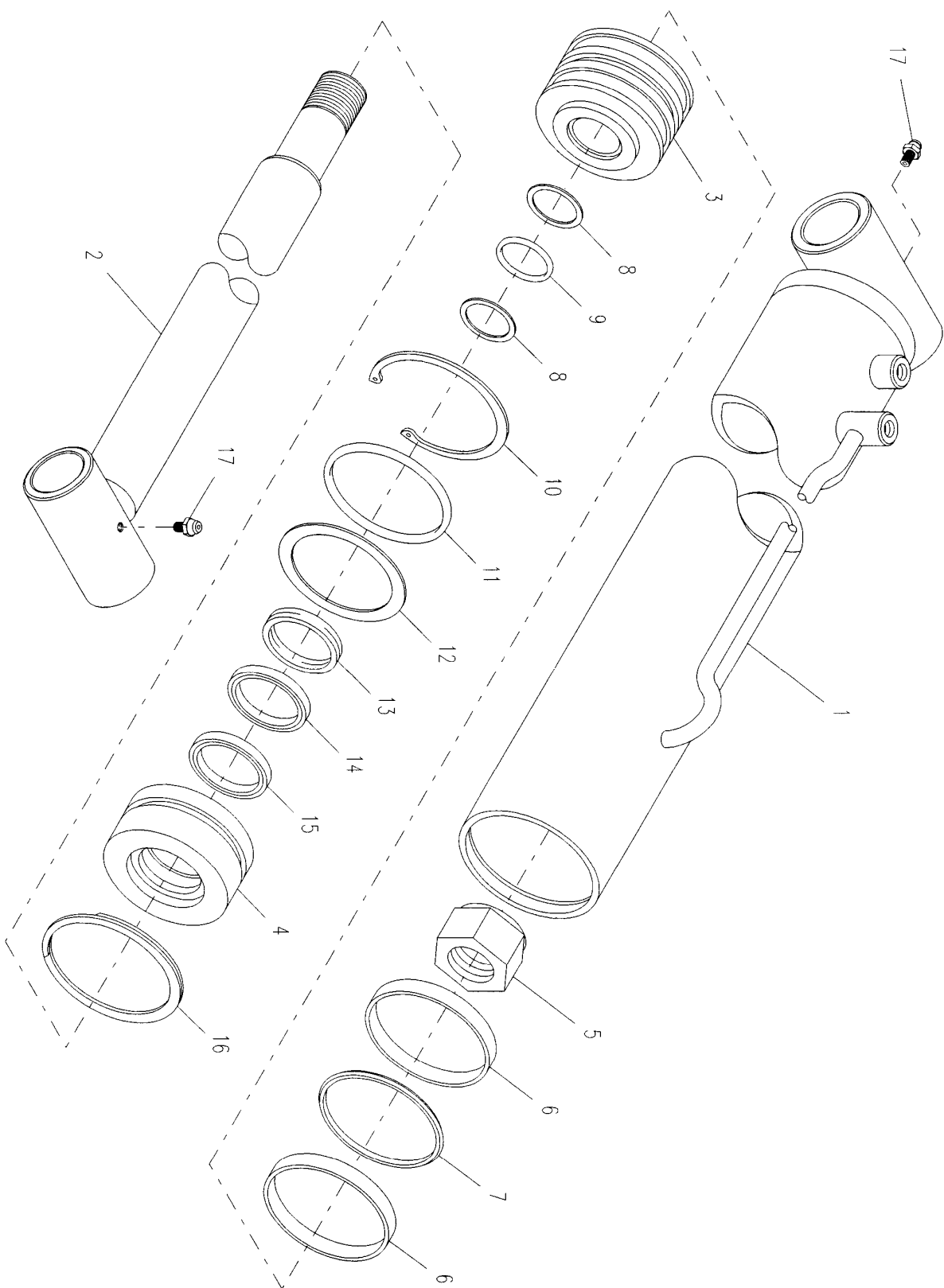
\*Available only in Service Kit #7577250042



4.42

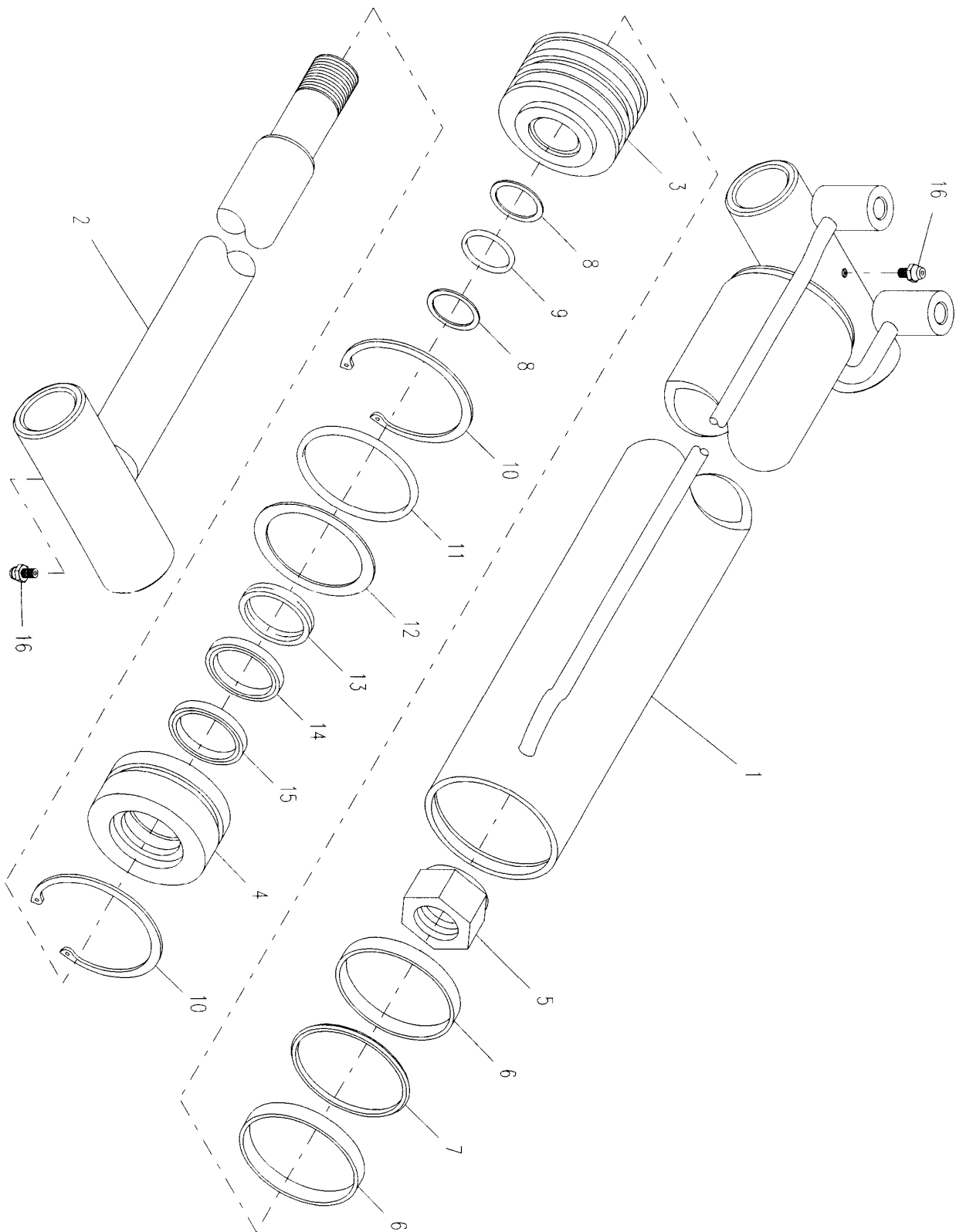
Rev. \_\_\_\_\_  
Date \_\_\_\_\_

**TILT CYLINDER**  
**3320000073**



# WHEELIFT EXTEND CYLINDER

3320000064



**PARTS LIST — WHEELIFT EXTEND CYLINDER**

**332000064**

<b>Ref. No.</b>	<b>Part No.</b>	<b>Description</b>	<b>Qty.</b>
1	3071000060	Barrel Weldment	1
2	3763000074	Rod Weldment	1
3	4698000015	Piston	1
4	4553000016	Head	1
5	7660262031	Locknut	1
6	7754000053*	Wear Ring	2
7	7796000067*	Locking "T" Seal	1
8	7755222609*	Back-up Ring	2
9	7755222000*	"O" Ring	1
10	7754000051*	Retaining Ring	2
11	7755330000*	"O" Ring	1
12	7755330609*	Back-up Ring	1
13	7754000054*	Wear Ring	1
14	7796000045*	Rod Seal	1
15	7796000046*	Rod Wiper Seal	1
16	7440030000	Grease Fitting	2

\*Available only in Service Kit #7577250206



4.45

Rev. \_\_\_\_\_  
Date \_\_\_\_\_

**PARTS LIST — IRL CYLINDER 3000# WHEELIFT**

**332000069**

<b>Ref. No.</b>	<b>Part No.</b>	<b>Description</b>	<b>Qty.</b>
1	3071000065	Barrel Weldment	1
2	3763000086	Rod Weldment	1
3	4698000007	Piston	1
4	4553000008	Head	1
5	7660262031	Locknut	1
6	7754000003*	Wear Ring	2
7	7796000063*	Locking "T" Seal	1
8	7755224609*	Back-up Ring	2
9	7755224000*	"O" Ring	1
10	7754000002*	Retaining Ring	1
11	7755334000*	"O" Ring	1
12	7755334609*	Back-up Ring	1
13	7754000004*	Wear Ring	1
14	7796000024*	Rod Seal	1
15	7796000008*	Rod Wiper Seal	1
16	7754000026*	Retaining Ring	1
17	7440030000	Grease Fitting	1
18	7440030200	Grease Fitting	1

\*Available only in Service Kit #7577250024

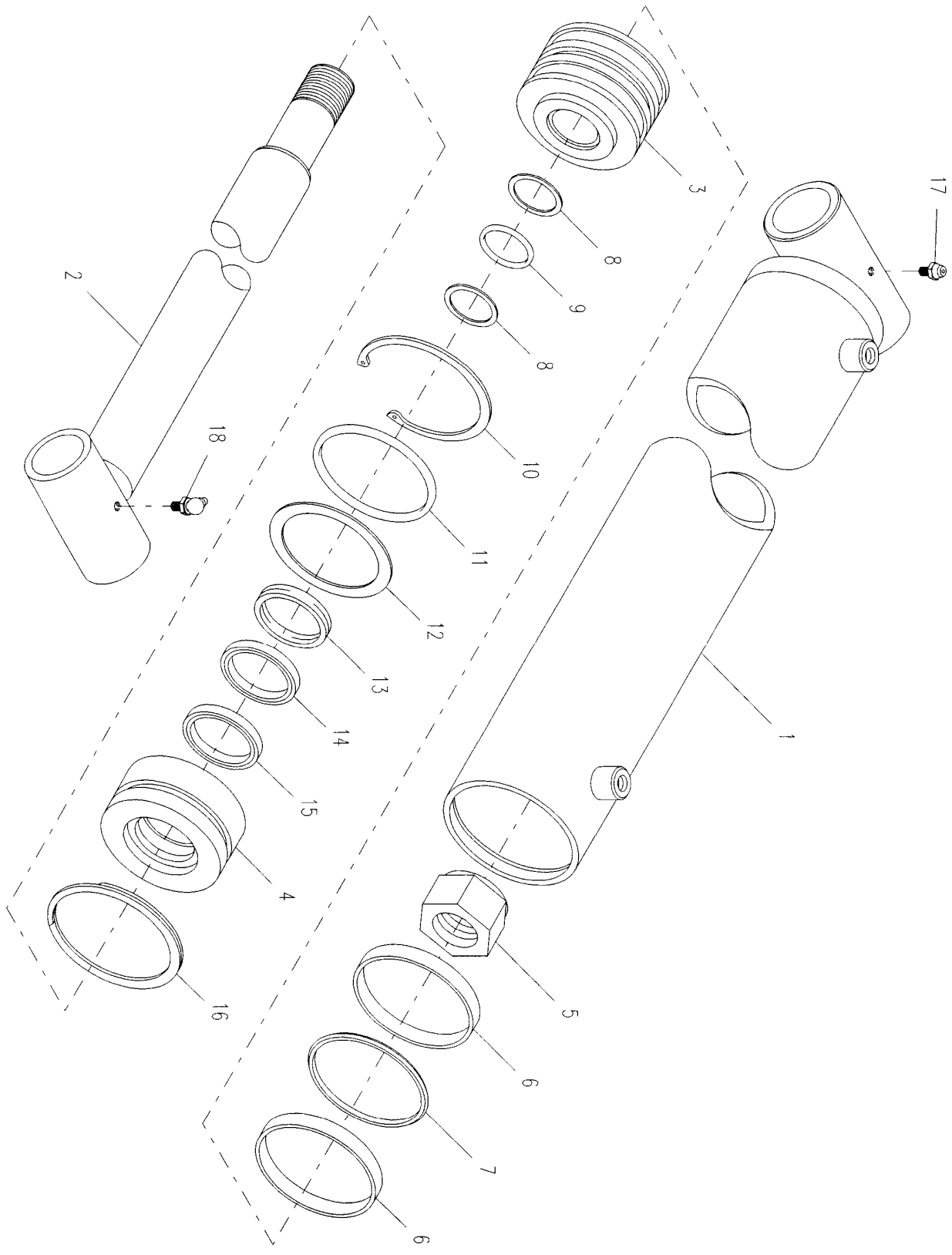


4.46

Rev. \_\_\_\_\_  
Date \_\_\_\_\_

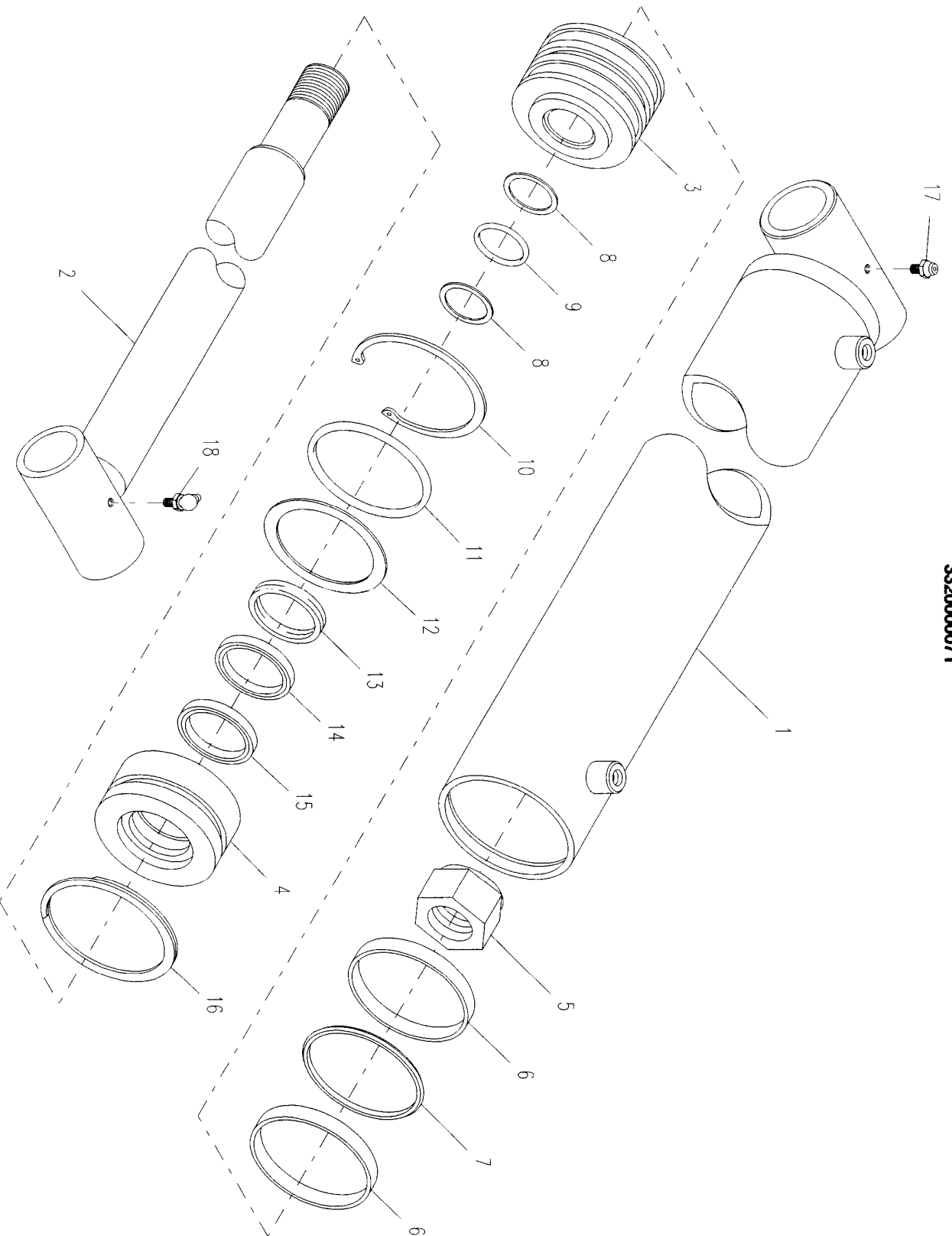
IRL CYLINDER 3000# WHEELLIFT

3320000069



IRL CYLINDER 4000# WHEELLIFT

3320000071





**PARTS LIST — IRL CYLINDER 4000# WHEELIFT**

**332000071**

<b>Ref. No.</b>	<b>Part No.</b>	<b>Description</b>	<b>Qty.</b>
1	3071000066	Barrel Weldment	1
2	3763000088	Rod Weldment	1
3	4698000007	Piston	1
4	4553000008	Head	1
5	7660262031	Locknut	1
6	7754000003*	Wear Ring	2
7	7796000063*	Locking "T" Seal	1
8	7755224609*	Back-up Ring	2
9	7755224000*	"O" Ring	1
10	7754000002*	Retaining Ring	1
11	7755334000*	"O" Ring	1
12	7755334609*	Back-up Ring	1
13	7754000004*	Wear Ring	1
14	7796000024*	Rod Seal	1
15	7796000008*	Rod Wiper Seal	1
16	7754000026*	Retaining Ring	1
17	7440030000	Grease Fitting	1
18	7440030200	Grease Fitting	1

\*Available only in Service Kit #7577250024



4.49

Rev. \_\_\_\_\_  
Date \_\_\_\_\_

**PARTS LIST — ZOD CYLINDER**

**332000070**

<b>Ref. No.</b>	<b>Part No.</b>	<b>Description</b>	<b>Qty.</b>
1	3071000067	Barrel Weldment	1
2	3763000087	Rod Weldment	1
3	4698000015	Piston	1
4	4553000016	Head	1
5	7660262031	Locknut	1
6	7754000053*	Wear Ring	2
7	7796000067*	Locking "T" Seal	1
8	7755222609*	Back-up Ring	2
9	7755222000*	"O" Ring	1
10	7754000051*	Retaining Ring	2
11	7755330000*	"O" Ring	1
12	7755330609*	Back-up Ring	1
13	7754000054*	Wear Ring	1
14	7796000045*	Rod Seal	1
15	7796000046*	Rod Wiper Seal	1
16	7440030000	Grease Fitting	1
17	7440030200	Grease Fitting	1

\*Available only in Service Kit #7577250206



4.50

Rev. \_\_\_\_\_  
Date \_\_\_\_\_

ZOD CYLINDER

332000070

