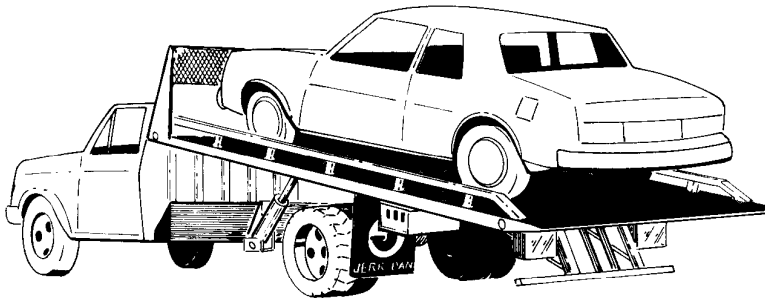




10 TON WRANGLER II

OPERATION, MAINTENANCE, AND PARTS MANUAL



JERR-DAN
CORP.

1080 Hykes Road
Greencastle, PA 17225

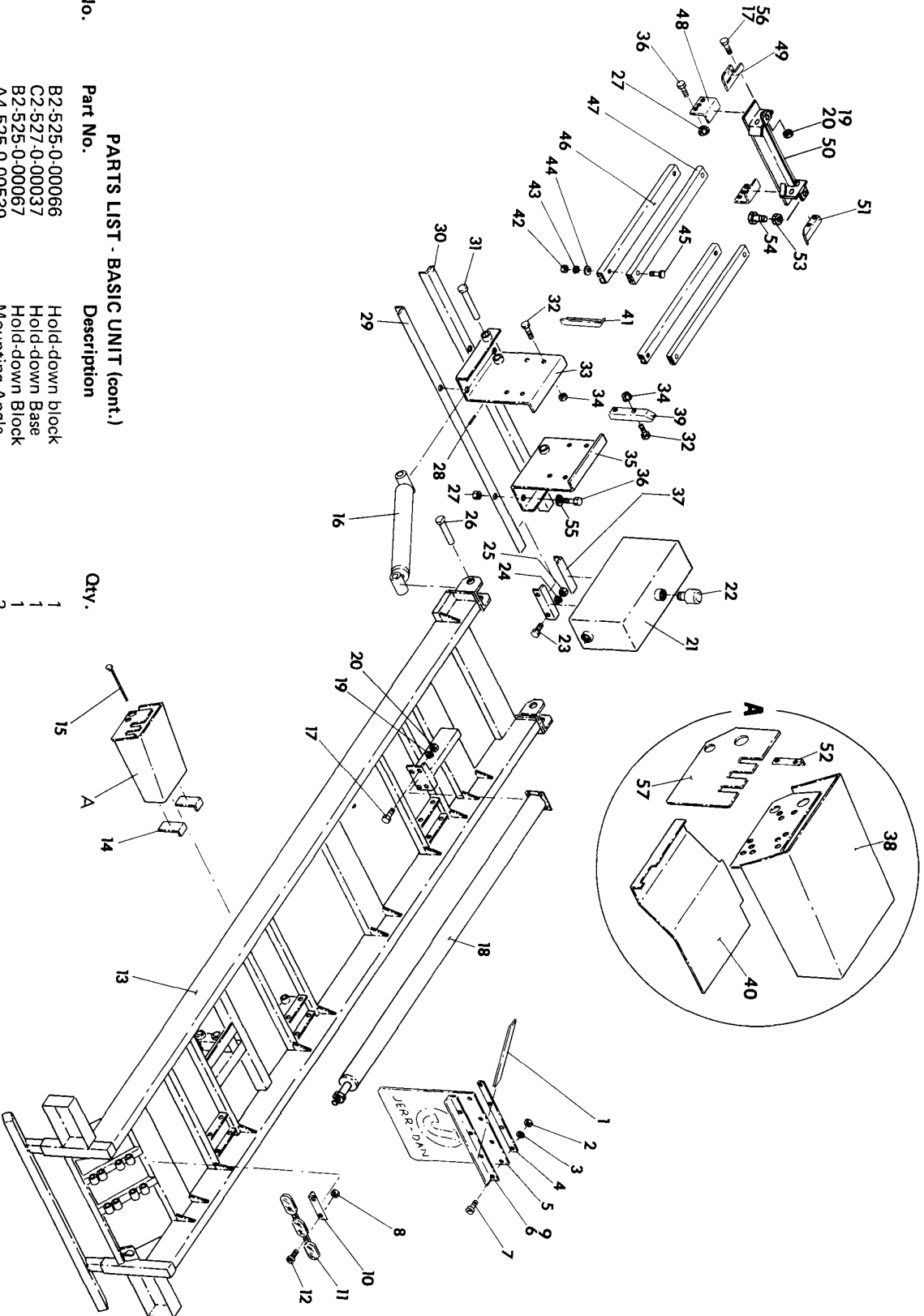
Phone (717) 597-7111

PARTS LIST - BASIC UNIT

Ref. No.	Part No.	Description	Qty.
1	A4-525-0-00085	Brace	2
2	7-660-1-50000	Hex Nut	8
3	7-950-1-50000	Lockwasher	8
4	B4-525-0-00708	Back-up Strip	2
5	C5-526-0-00588	Mud Flap	2
6	B4-525-0-00710	R.H. Mud Flap Bracket	1
7	7-111-1-50813	Truss Head Screw	8
8	7-660-1-00710	Hex Nut	2
9	B4-525-0-00709	L.H. Mud Flap Angle	1
10	A4-533-1-00080	Light bar angle	1
11	5-533-0-00231	Bar light	1
12	7-111-1-00610	Stove Bolt	2
13	D2-534-0-00164	Subframe 20'-22' Deck	1
	D2-534-0-00135	Subframe 24'-26' Deck	1
14	B4-533-1-00075	Valve trough mount	2
	5-526-0-00557	Throttle Control 20'-22'	
15	5-526-0-00558	Throttle Control 24'-26'	1
16	C1-700-1-00005	Tilt Cylinder	2
17	7-111-2-01653	Hex Head Bolt	8
	C1-700-1-00013	Rollback cylinder 26' Deck	1
	C1-700-1-00012	Rollback cylinder 24' Deck	1
18	C1-700-1-00011	Rollback cylinder 20'-22' Deck	1
19	7-950-2-00000	Lockwasher	8
20	7-660-2-00710	Hex Nut	8
21	C2-534-0-00062	Oil Reservoir	1
22	7-258-0-00063	Breather	1
23	7-111-1-81453	Hex Head Bolt	4
24	7-950-1-80000	Lockwasher	4
25	7-660-1-80000	Hex Nut	4
26	A2-534-0-00029	Upper Tilt Cyl. Pin	2
27	7-660-1-82317	Hex Nut	10
28	7-690-0-34040	Expansion Pin	2
29	B4-534-0-00042	Saddle Angle	1
30	B4-534-0-00121	Saddle Angle	1
31	A4-534-0-00124	Lower Tilt cyl. Pin	2
32	7-105-2-01650	Hex Head Bolt	12
33	C2-534-0-00067	Saddle	1
34	7-660-2-01630	Hex Lock Nut	12
35	C2-534-0-00066	Saddle	1
36	7-111-1-81450	Hex Head Bolt	10
37	C2-534-0-00120	Mounting Angle	2
38	C2-534-0-00026	Valve Trough	1
39	B2-520-0-00009	Body Stay	1
40	C4-534-00337	Dust Cover	1
41	B2-520-0-00008	Body Stay	1
42	7-660-1-60000	Hex Nut	4
43	7-950-1-60000	Lockwasher	4
44	7-950-1-60251	Flatwasher	4
45	7-111-1-63264	Carriage Bolt	4
46	4-534-0-00448	C-Channel 20' Deck	2
	4-534-0-00446	C-Channel 22' Deck	2
	B4-534-0-00422	C-Channel 24' Deck	2
	4-534-0-00423	C-Channel 26' Deck	2
47	*	Wood Block	2
48	B4-534-0-00401	Mounting Angle	2

*Measure length of wood block before ordering. (cont.)

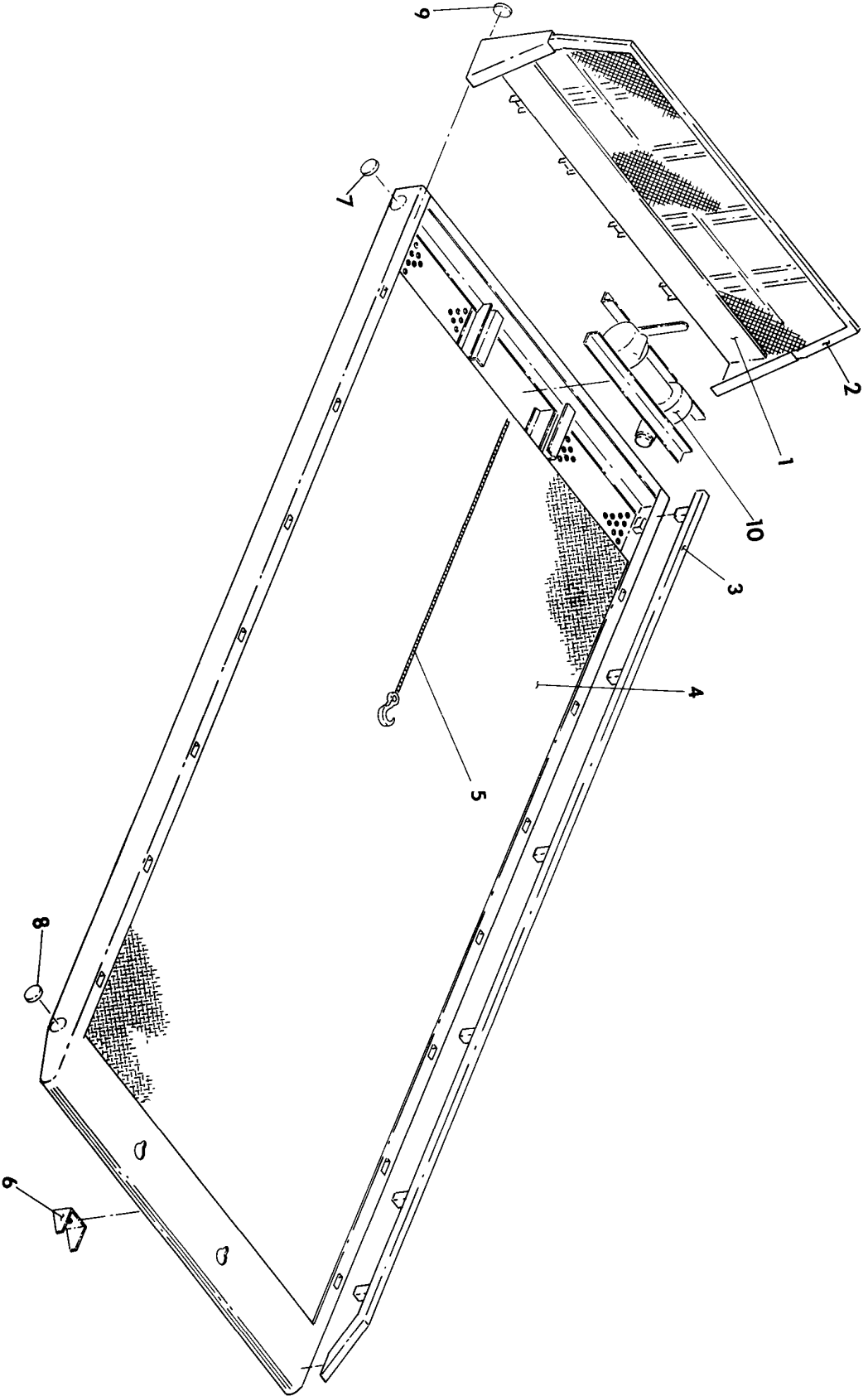
BASIC UNIT



PARTS LIST - BASIC UNIT (cont.)

Ref. No.	Part No.	Description	Qty.
49	B2-525-0-00066	Hold-down block	1
50	C2-527-0-00037	Hold-down Base	1
51	B2-525-0-00067	Hold-down Block	1
52	A4-525-0-00539	Mounting Angle	2
53	7-660-2-00200	Jam Nut	2
54	7-111-2-01453	Hex Head Bolt	2
55	7-950-1-80153	Hardened Flatwasher	4
56	7-950-2-00161	Flatwasher	4
57	B4-525-0-00540	Decal plate	1

DECK



PARTS LIST - DECK

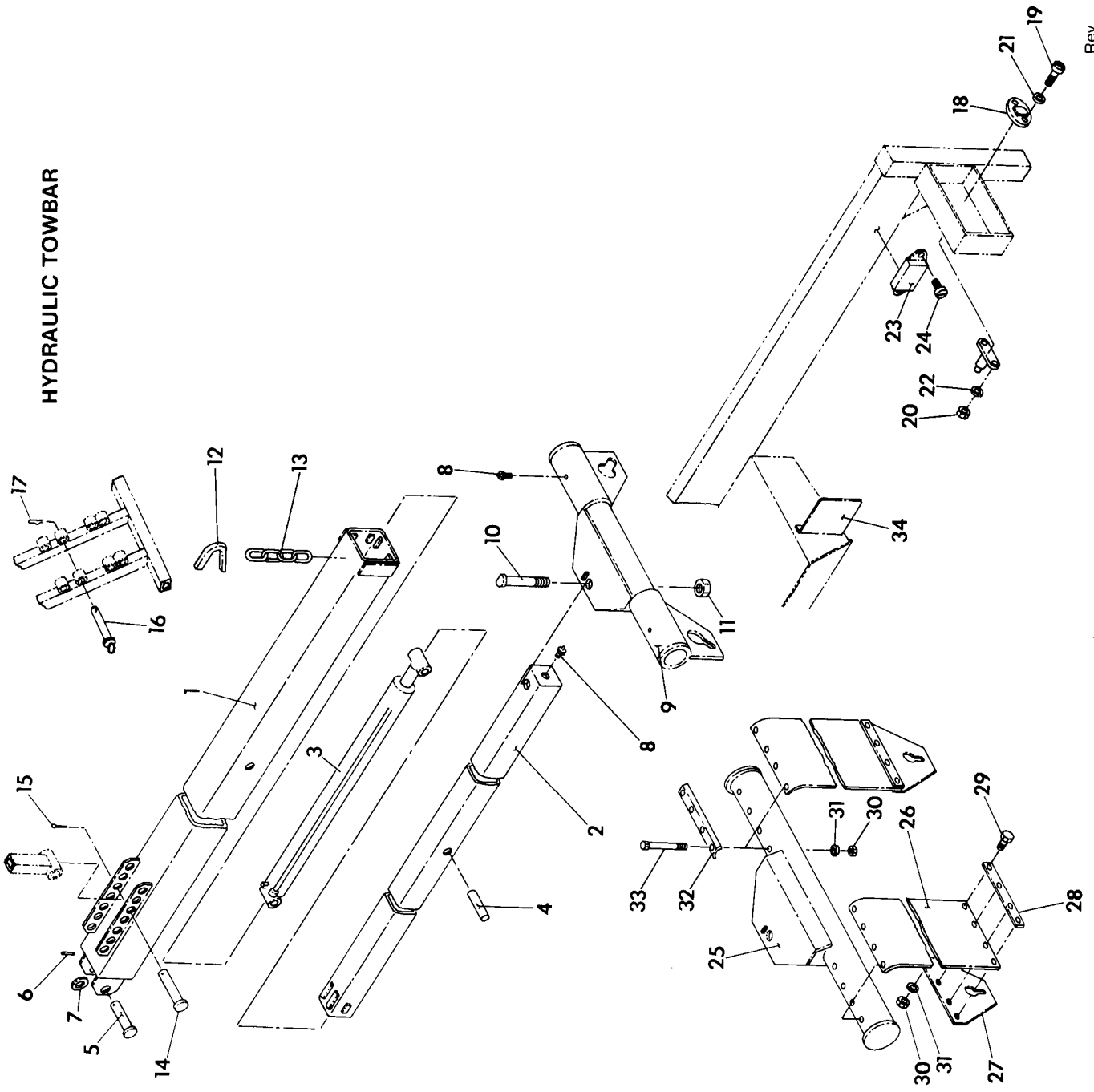
Ref. No.	Part No.	Description	Qty.
1	D2-100-2-00021	Half Cab Protector	1
2	D2-100-2-00023	Top Screen	1
3	D2-534-0-00076	Permanent Raised Rails 20' Deck	2
	D2-534-0-00077	Permanent Raised Rails 22' Deck	2
	D2-534-0-00078	Permanent Raised Rails 24' Deck	2
	D2-534-0-00079	Permanent Raised Rail 26' Deck	2
4		Deck	1
5	3-525-0-00218	Winch Cable Assembly	1
6	C4-525-0-00089	Rollback Bracket	1
7	3-100-0-00004	Red Clearance Light	2
8	3-100-0-00003	Amber Clearance Light	2
9	5-531-0-00023	Amber Reflector	2
10		Winch Assembly	1

PARTS LIST - FINAL ASSEMBLY - HYDRAULIC TOWBAR

Ref. No.	Part No.	Description	Qty.
1	C2-100-2-00001	Outer Tube	1
2	C2-100-2-00002	Inner Tube	1
3	C1-700-1-00001	Towbar Cylinder	1
4	A4-100-2-00021	Cylinder Cross Pin	1
5	A2-100-2-00034	Cylinder Base Pin	1
6	7-690-1-43244	Expansion Pin	1
7	A4-533-0-00548	Spacer	2
8	7-440-0-00000	Grease Fitting	3
9	C1-100-2-00002	Keyslot Towhitch	1
10	A2-100-2-00005	Hitch Pin	1
11	7-660-2-61630	Hex Locknut	1
12	A4-534-0-00300	Clip	1
13	5-530-0-00084	Safety Chain	1
14	A2-533-1-00022	Towbar Attaching Pin	1
15	7-690-1-03210	Cotter Pin	1
16	A2-533-1-00019	Height Adjusting Pin	2
17	5-533-0-00106	Hair Pin	2
18	7-364-0-00423	4 Way Connector	1
19	7-111-1-40613	Truss Head Screw	2
20	7-660-1-40000	Hex Nut	2
21	7-950-1-40251	Flatwasher	2
22	7-950-1-40000	Lockwasher	2
23	5-533-0-00145	Junction Box	1
24	7-790-1-40856	Self-tapping Screw	2
25*	C2-100-2-00024	Strap Towhitch	1
26*	5-534-0-00005	Strap	2
27*	B4-100-3-00071	Keyslot	2
28*	A4-100-3-00072	Clamp Bar	2
29*	7-111-1-61253	Hex Head Bolt	8
30*	7-660-1-60000	Hex Nut	16
31*	7-950-1-60000	Lockwasher	16
32*	A4-100-3-00073	Clamp Bar	2
33*	7-111-1-63253	Hex Head Bolt	8
34	B4-530-0-00065	Valve Mounting Bracket	1

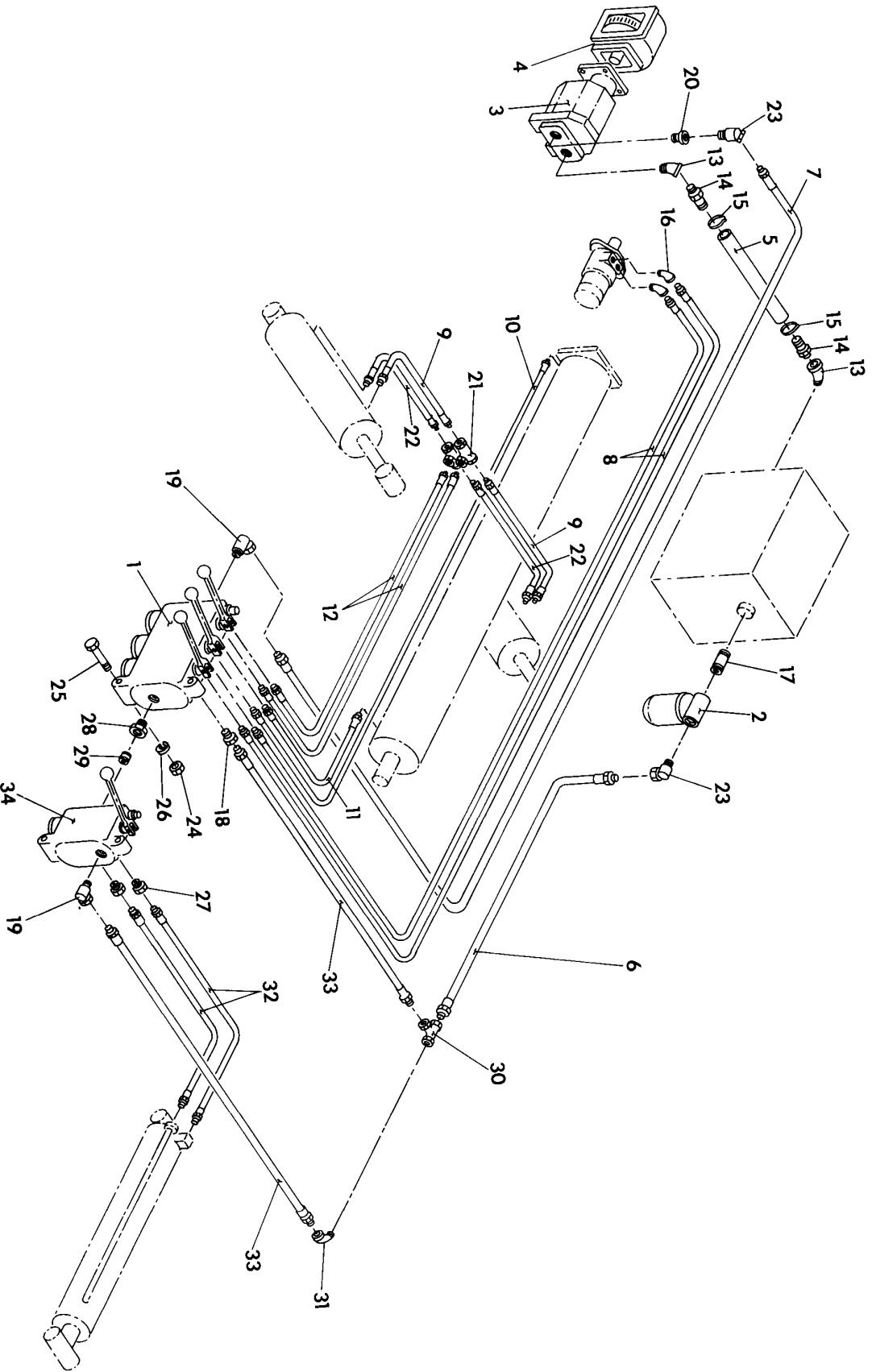
* ITEMS 25 THRU 33 ARE OPTIONAL IN LIEU OF ITEM 9.

HYDRAULIC TOWBAR



Rev. _____
Date _____

HYDRAULIC COMPONENTS

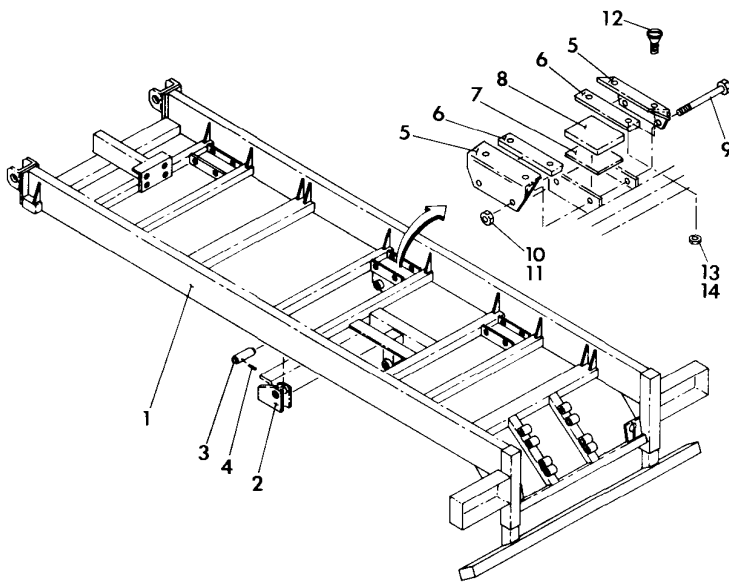


PARTS LIST - HYDRAULIC COMPONENTS

Ref. No.	Part No.	Description	Qty.
1	3-100-0-00002	Valve	1
2	3-525-0-00216	Oil Filter	1
3	3-527-0-00068	Pump	1
4	as required	P. T. O.	1
5	*	Suction Hose	1
6	*	Return Hose	1
7	*	Pressure Hose	1
8	*	Winch Hose	2
9	*	Tilt Cylinder Hose (rod end)	2
10	*	Rollback Cylinder Hose (barrel end)	1
11	*	Rollback Cylinder Hose (rod end)	1
12	*	Tilt Cylinder Hose (valve to tee)	2
13	7-444-1-01090	1.25 x 45° Street Elbow	2
14	7-445-2-02078	Hose Adapter	2
15	5-527-0-00067	Hose Clamp	2
16	7-445-0-80804	90° Swivel Elbow	2
17	7-650-0-60160	Pipe Nipple	1
18	7-445-1-21201	Swivel Union	1
19	7-445-1-21204	Swivel Elbow	2
20	7-444-0-80654	Reducer	1
21	7-445-0-80613	Tee	2
22	*	Tilt Cylinder Hose (barrel end)	2
23	7-445-1-21209	45° Swivel Elbow	2
24	7-660-1-60000	Hex Nut	6
25	7-111-1-62053	Hex Head Bolt	6
26	7-950-1-60000	Lockwasher	6
27	7-444-0-40354	Reducer	2
28	5-525-0-00533	Power Beyond Kit	1
29	7-650-0-60200	Pipe Nipple	1
30	5-535-0-00165	Tee	1
31	7-444-0-60670	90° Street Elbow	1
32	*	Towbar Cylinder Hose	2
33	*	Return Hose	2
34	3-100-0-00011	Valve	1

* When ordering replacement hoses measure length and which hose is required.

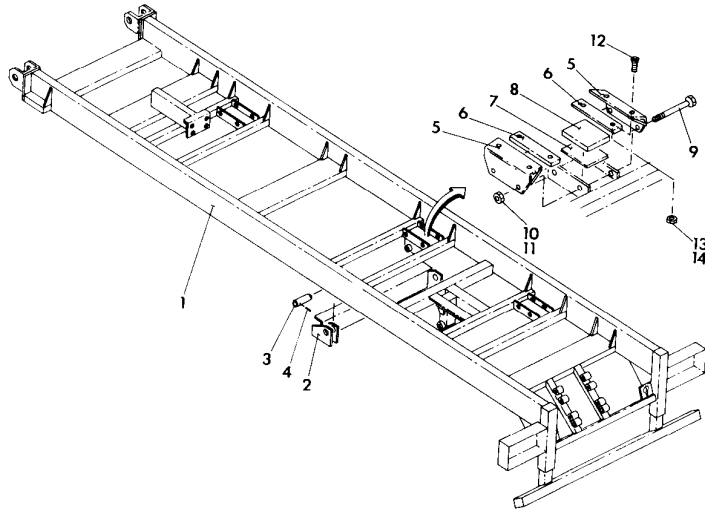
SUBFRAME COMPONENTS



PARTS LIST - 20' - 22' SUBFRAME COMPONENTS

Ref. No.	Part No.	Description	Qty.
1	D2-534-0-00164	Subframe	1
2	C2-534-0-00158	Trunnion	1
3	A4-533-1-00090	Hinge Pin	2
4	7-690-1-64040	Expansion Pin	2
5	B4-534-0-00169	Nylatron Holder	12
6	A4-525-0-00653	Wear Pad	12
7	A4-534-0-00176	Nylatron Spacer	6
8	A4-534-0-00171	Nylatron Pad	6
9	7-115-1-82850	Hex Head Bolt	12
10	7-660-0-80000	Hex Head Nut	12
11	7-950-1-80000	Lockwasher	12
12	7-111-1-60007	Flat head Machine Screw	24
13	7-660-1-60000	Hex Nut	24
14	7-950-1-60000	Lockwasher	24

SUBFRAME



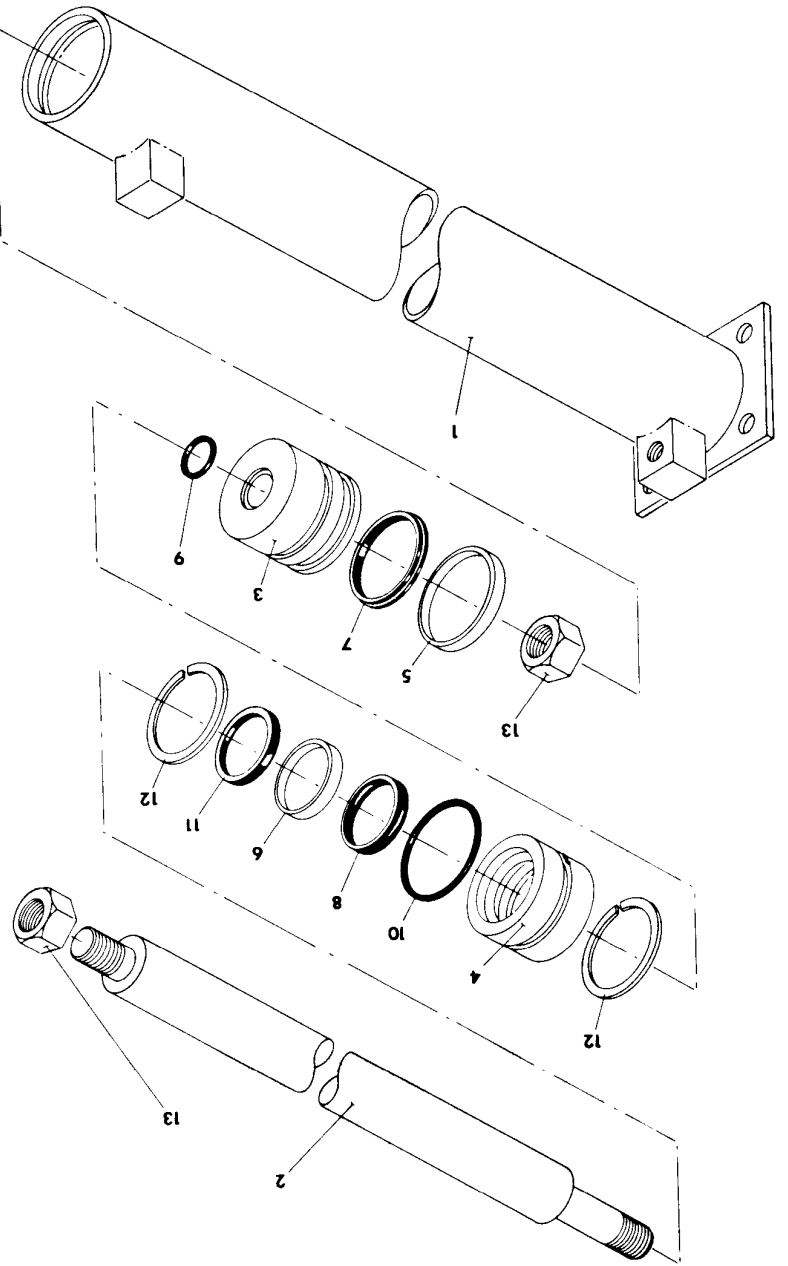
PARTS LIST - 24' - 26' SUBFRAME COMPONENTS

Ref. No.	Part No.	Description	Qty.
1.	D2-534-0-00135	Subframe	1
2	C2-534-0-00158	Trunnion	1
3	A4-533-1-00090	Hinge Pin	2
4	7-690-1-64040	Expansion Pin	2
5	B4-534-0-00169	Nylatron Holder	12
6	A4-525-0-00653	Wear Pad	12
7	A4-534-0-00176	Nylatron Spacer	6
8	A4-534-0-00171	Nylatron Pad	6
9	7-115-1-82850	Hex Head Bolt	12
10	7-660-1-80000	Hex Head Nut	12
11	7-950-1-80000	Lockwasher	12
12	7-111-1-60007	Flat head Machine Screw	24
13	7-660-1-60000	Hex Nut	24
14	7-950-1-60000	Lockwasher	24

4.10

Rev. _____
Date _____

ROLL BACK CYLINDER



4.11

Rev. _____
Date _____

PARTS LIST - ROLLBACK CYLINDER

Ref. No.	Part No.	Description	Qty.
1	C2-700-2-00016	Barrel Weldment (711)	1
	C2-700-2-00017	Barrel Weldment (712)	
	C2-700-2-00018	Barrel Weldment (713)	
2	B4-700-2-00039	Rod (711)	1
	B4-700-2-00041	Rod (712)	
	B4-700-2-00043	Rod (713)	
3	B4-700-2-00020	Piston	1
4	B4-700-2-00021	Head	1
5	A5-700-0-00008*	Ring, Wear	1
6	A5-700-0-00009*	Ring, Wear	1
7	A5-700-0-00010*	Seal, 'T'	1
8	A5-700-0-00011*	Seal, Rod	1
9	7-755-2-22000*	Ring, 'O'	1
10	7-755-3-42000*	Ring, 'O'	1
11	A5-700-0-00012*	Seal, Rod Wiper	1
12	A5-700-0-00013	Ring, Retaining	2
13	7-660-3-41630	Nut, Lock	2

* AVAILABLE ONLY IN SERVICE PARTS KIT NO. 9-700-0-00002

NOTE: Cylinder Identification

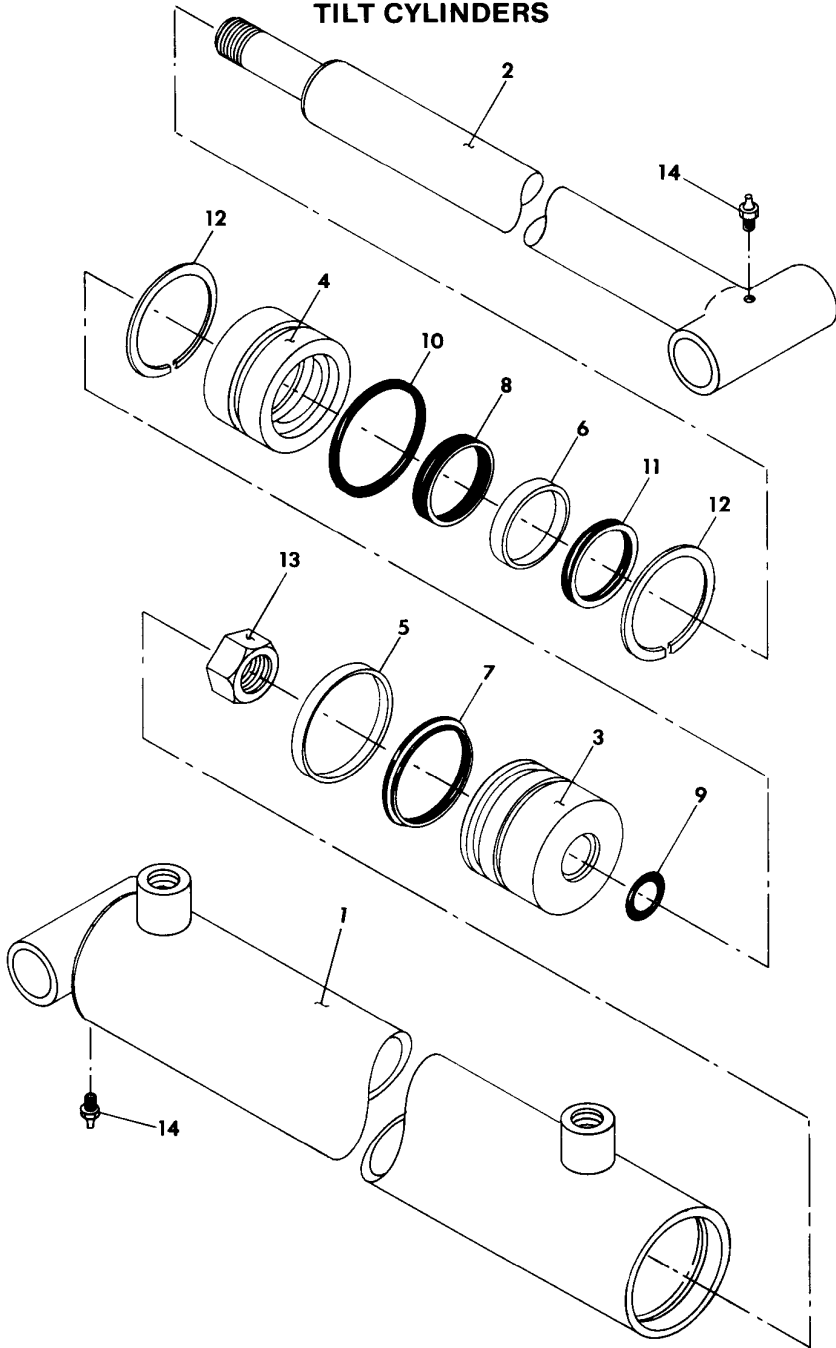
A 3 digit number is stamped on the port block (ie 711) and this number will identify which barrel weldment and rod is used.

PARTS LIST - TILT CYLINDER

Ref. No.	Part No.	Description	Qty.
1	C2-700-2-00008	Barrel Weldment	1
2	B2-700-2-00010	Rod Weldment	1
3	B4-700-2-00020	Piston	1
4	B4-700-2-00021	Head	1
5	A5-700-0-00008*	Ring, Wear	1
6	A5-700-0-00009*	Ring, Wear	1
7	A5-700-0-00010*	Seal, T	1
8	A5-700-0-00011*	Seal, Rod	1
9	7-755-2-22000*	"O" Ring	1
10	7-755-3-42000*	'O' Ring	1
11	A5-700-0-00012*	Seal, Rod Wiper	1
12	A5-700-0-00013	Ring, Retaining	2
13	7-660-3-41630	Nut, Lock	1
14	7-440-0-00200	Fitting, Grease	2

*AVAILABLE ONLY IN SERVICE PARTS KIT NO. 9-700-0-00002

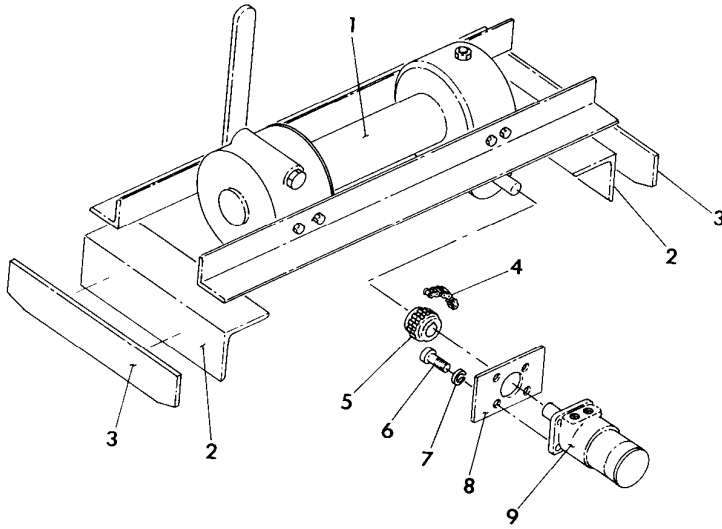
TILT CYLINDERS



4.14

Rev. _____
Date _____

WINCH COMPONENTS



PARTS LIST - WINCH COMPONENTS

Ref. No.	Part No.	Description	Qty.
1	3-525-0-00214	Winch	1
2	4-525-0-00703	Winch Mounting Angle	2
3	4-525-0-00613	Tie Plate	2
4	5-533-0-00055	Chain	1
5	5-533-0-00054	Coupling	2
6	7-111-1-60653	Hex Head Bolt	4
7	7-950-1-60000	Lockwasher	4
8	A4-527-0-00108	Orbit Motor Mounting Plate	1
9	3-525-0-00219	Orbit Motor	1

Rev _____
Date _____

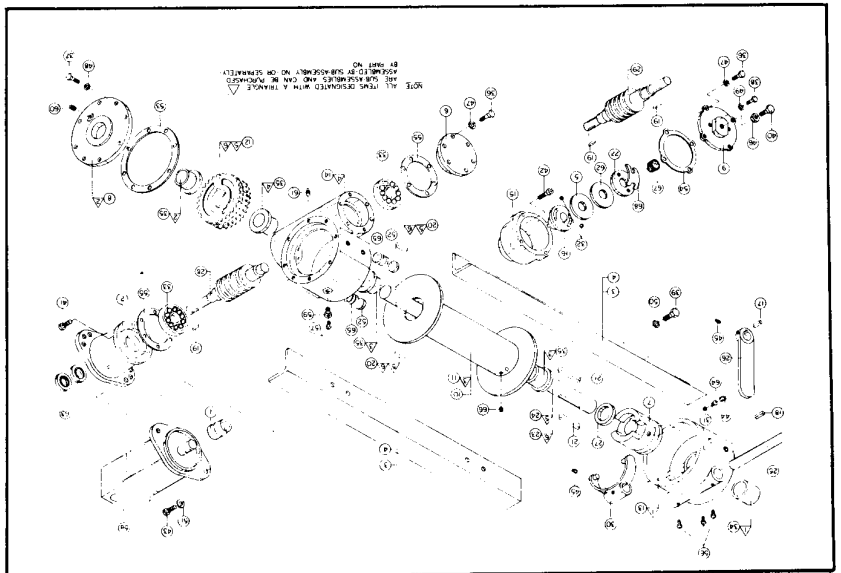
4.16

ITEM NO	QTY	PART NO	DESCRIPTION	ITEM NO	QTY	PART NO	DESCRIPTION
23	1	356702	Shaft (400)	46	1	418067	Nut (G-400)
22	1	352020	Plate (G-400)	45	2	416108	Screw
21	2	342123	Key	44	1	414971	Screw
20	2	342120	Key	42	6	414871	Cap screw (G-400)
19	1	342051	Key	40	1	414574	Cap screw (G-400)
18	1	342032	Key	38	2	414390	Cap screw (G-400)
17	1	342024	Hub (G-400)	37	8	414410	Cap screw (G-400)
16	1	338038	Housing (G-400)	36	8	414134	Cap screw
15	1	338010	Housing	35	2	412006	Bushing
14	1	338009	Housing	34	1	412005	Bushing
13	1	334016	Gear R. H.	33	2	402044	Bearing
12	1	332004	Drum	32	2	400003	Ball (G-400)
11	1	328010	Cover (G-400)	31	1	400003	Ball
10	1	328057	Cover (G-400)	30	1	370003	Yoke
9	1	324102	Clutch	29	1	368057	Worm R.H. (G-400)
8	1	316004	Cap	28	1	368004	Worm R.H.
7	1	314003	Cam (G-400)	27	1	362007	Spacer
6	1	302459	Angle (400)	26	1	356902	Shaft
5	2			25	1		

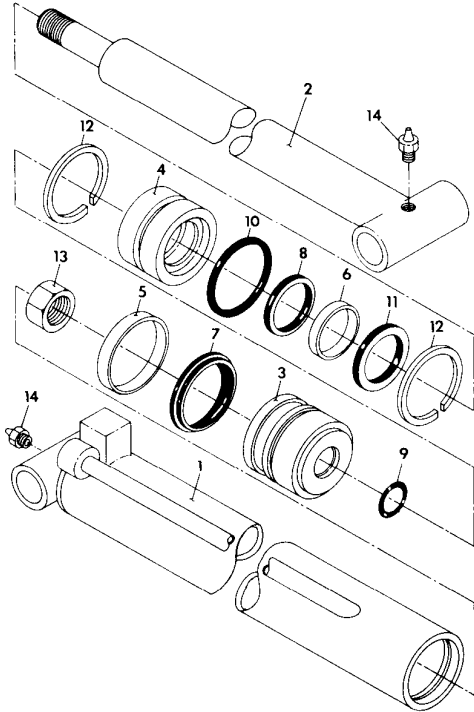
SUB ASSEMBLY LISTING

ITEM NO	QTY	PART NO	DESCRIPTION	ITEM NO	QTY	PART NO	DESCRIPTION
47	6	418163	Washer (G-400)	46	1	418067	Nut (G-400)
46	8	418184	Washer	45	2	416108	Screw
45	2	418184	Washer (G-400)	44	1	414971	Screw
44	8	418184	Washer	42	6	414871	Cap screw (G-400)
43	2	418184	Washer	40	1	414574	Cap screw (G-400)
42	2	418184	Washer	38	2	414390	Cap screw (G-400)
41	2	418184	Washer	37	8	414410	Cap screw (G-400)
40	2	418184	Washer	36	8	414134	Cap screw
39	2	418184	Washer	35	2	412006	Bushing
38	2	418184	Washer	34	1	412005	Bushing
37	2	418184	Washer	33	2	402044	Bearing
36	2	418184	Washer	32	2	400003	Ball (G-400)
35	2	418184	Washer	31	1	400003	Ball
34	2	418184	Washer	30	1	370003	Yoke
33	2	418184	Washer	29	1	368057	Worm R.H. (G-400)
32	2	418184	Washer	28	1	368004	Worm R.H.
31	2	418184	Washer	27	1	362007	Spacer
30	2	418184	Washer	26	1	356902	Shaft
29	2	418184	Washer	25	1		
28	2	418184	Washer				
27	2	418184	Washer				
26	2	418184	Washer				
25	2	418184	Washer				
24	2	418184	Washer				
23	2	418184	Washer				
22	2	418184	Washer				
21	2	418184	Washer				
20	2	418184	Washer				
19	2	418184	Washer				
18	2	418184	Washer				
17	2	418184	Washer				
16	2	418184	Washer				
15	2	418184	Washer				
14	2	418184	Washer				
13	2	418184	Washer				
12	2	418184	Washer				
11	2	418184	Washer				
10	2	418184	Washer				
9	2	418184	Washer				
8	2	418184	Washer				
7	2	418184	Washer				
6	2	418184	Washer				
5	2	418184	Washer				
4	2	418184	Washer				
3	2	418184	Washer				
2	2	418184	Washer				
1	2	418184	Washer				

MATERIAL LISTING



TOWBAR CYLINDER



PARTS LIST-TOWBAR CYLINDER

Ref. No.	Part No.	Description	Qty.
1	C2-700-2-00001	Barrel	1
2	B2-700-2-00002	Rod	1
3	B4-700-2-00008	Piston	1
4	B4-700-2-00009	Head	1
5	A5-700-0-00005*	Ring, Wear	1
6	A5-700-0-00006*	Ring, Wear	1
7	A5-700-0-00001*	Seal, Piston 'T'	1
8	A5-700-0-00002*	Seal, Rod	1
9	7-755-2-14000*	'O' Ring	1
10	7-755-3-34000*	'O' Ring	1
11	A5-700-0-00003*	Seal, Rod Wiper	1
12	A5-700-0-00004	Ring, Retaining	2
13	7-660-2-61632	Nut, Lock	1
14	7-440-0-00000	Fitting, Grease	2

* Available only in Service Kit No. 9-700-0-00001